



DL30B-M

RFID card and Keypad door lock

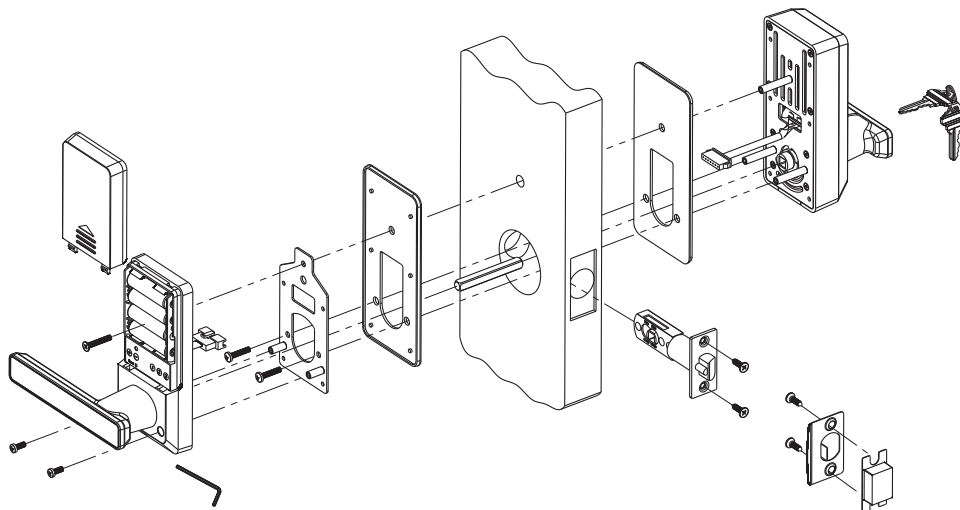
It's a DIY plug 'n play door lock replacement to your old "lock 'n key" door knob. Includes Bluetooth & Mobile app.

Features and Benefits

- **Peace of mind:** RFID card reader and keypad eliminates worry over who has copies of your old metal key.
- **Voice Assist:** Helps user with set-up and operations.
- **Easy installation:** No wiring. Fits door widths 1 3/8" to 2 3/8". American standard single-latch
- **Rugged:** Zinc alloy body and strong handle design prevents forcible entry.
- **Reliable:** Patented independent clutch-motor design
- **Secure:** Strong zinc alloy body is vandal resistant.
- **Low power consumption:** 4 AA batteries discharge only when a user is detected.
- **Low battery warning**
- **Metal override key for emergency access:** Override Key near impossible to copy.
- **Audio and Visual Feedback:** LED indicator and built-in buzzer
- **Reads Mifare cards.**
- **Bluetooth and mobile app:** Allows for remote door unlock and user management.

Specifications

Material:	Zinc Alloy
User Capacity:	100 card numbers 100 PIN codes
Operating Temperature:	32° - 112° F (0° - 40° C)
Power Supply:	4 x AA Batteries (not included)
Backup Unlocking:	Mechanical Key and 9V battery
Dimensions: Front:	2.7(W) x 6.1(L) x 1.3(D) in 69(W) x 155(L) x 35(D) mm
Back:	2.7(W) x 6.1(L) x 1(D) in 69(W) x 155(L) x 25(D) mm



ZKTeco USA

6 Kingsbridge Road, Unit 8, Fairfield, NJ 07004
Phone: (862) 505-2101 • Fax: (862) 204-5906 • sales@zkaccess.com • www.zkaccess.com