



X8-BT

IP65-rated stand-alone
fingerprint reader with Bluetooth

X8-BT is the most innovative biometric fingerprint reader designed for outdoor access control applications.

X8-BT offers unparalleled performance incorporating ZKTeco's advanced SilkID fingerprint sensor which provides the highest possible reliability, precision and matching speed.

X8-BT has a built-in 12V relay contact which can be connected directly to either an electric strike or magnetic door lock. It also has contact relays which connect to various door peripherals including alarm, door sensor, exit button, bell, etc.

With its integrated Bluetooth communication and mobile app, authorized administrators can remotely manage X8-BT user profiles and door access rights while also managing its device settings.

Features

- IP65-rated weather resistant
- Advanced SilkID fingerprint sensor
- Standard ZKAccess 125 kHz prox card reader
- Auxiliary inputs for door status sensor and exit switch
- 12V relay output for door lock
- Bluetooth enabled with ZKBioBT mobile app
- Stores & matches up to 500 fingerprint templates
- Stores & matches up to 500 prox cards

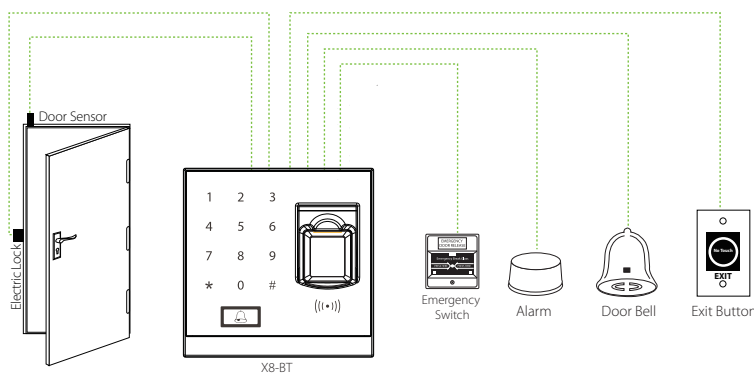
Specifications

Fingerprint Capacity	500
ID Card Capacity	500
Communication	Bluetooth
Standard Functions	Basic access control functions with multi-factor authentication
Access Control Hardware Interface	Connects with 3rd Party Electric Strike (or Magnetic Lock), Door Sensor, Exit Button, Alarm, etc
Optional Functions	Built-in Mifare Card reader
Power Supply	12V DC 3A
Operating Temperature	-4F° to 122F°
Operating Humidity	20% - 80%
Dimensions (HxWxD)	4 x 4 x 1.5 inches (101.5x101.5x37 mm)

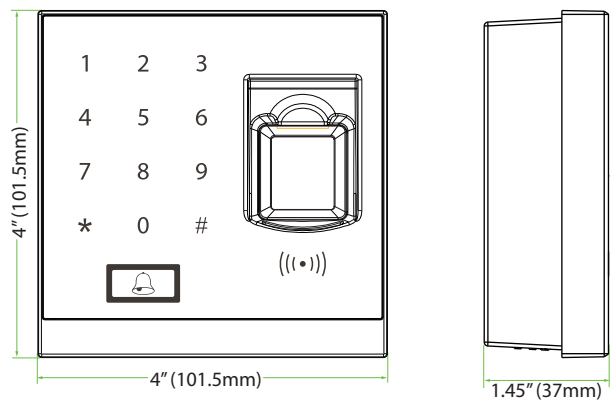
Part Numbers

- X8-BT
- X8-BT-Mifare

X8-BT Configuration



X8-BT Dimensions



ZKTeco USA

6 Kingsbridge Road, Unit 8, Fairfield, NJ 07004
 Phone: (862) 505-2101 • Fax: (862) 204-5906 • sales@zkaccess.com • www.zkaccess.com

© Copyright 2016. ZKTeco Inc. ZKTeco Logo and ZKAccess Logo are registered trademarks of ZKTeco or a related company. All other product and company names mentioned are used for identification purposes only and may be the trademarks of their respective owners. All specifications are subject to change without notice. All rights reserved.

