



2720 Tobey Drive, Indianapolis, IN 46219
Tel 1-877-671-7011 ■ Fax 800-851-0000
Zero.Customer.Support@allegion.com
www.zerointernational.com

Part No:

153

Part description:

Door shoe

Notes:

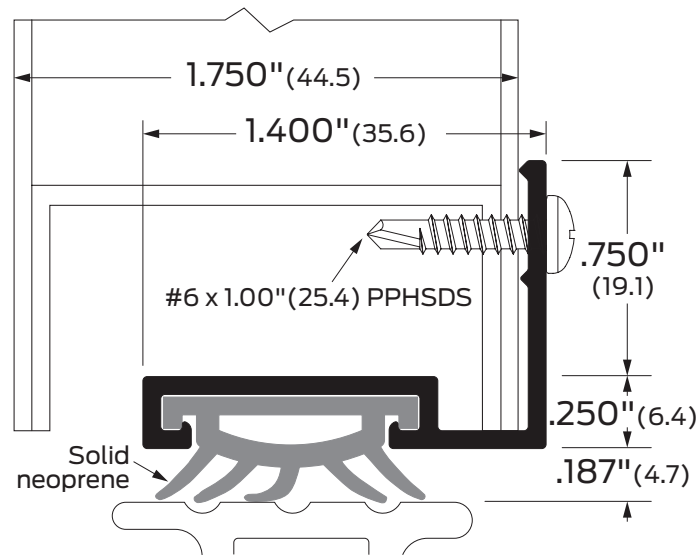
Provided by:

Customer name:


Job no:

Date:

Image may not be shown to scale



Certifications:

 Fire rated-UL10c

ANSI/BHMA:

153A, 153BK, 153D, 153G

R3B414

Finishes:

- A** Aluminum mill finish
- BK** Aluminum black anodized
- D** Aluminum dark bronze anodized
- G** Aluminum gold anodized

Options:

SEC Security screws

