



2720 Tobey Drive, Indianapolis, IN 46219
Tel 1-877-671-7011 ■ Fax 800-851-0000
Zero.Customer.Support@allegion.com
www.zerointernational.com

Part No:

253FS

Part description:

Intumescent door sweep & shoe

Notes:

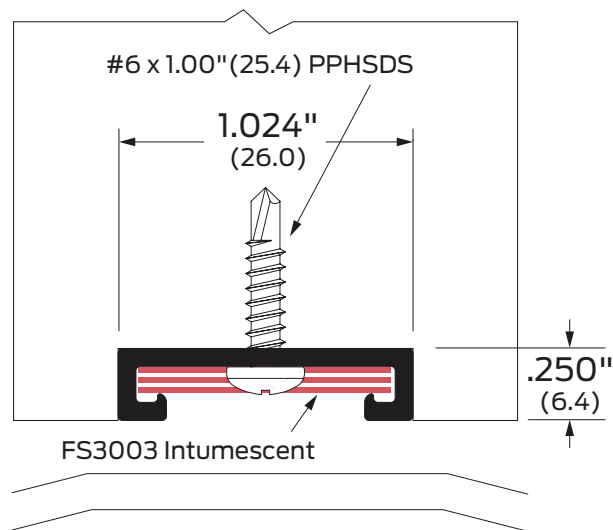
Provided by:

Customer name:

Job no:

Date:

Image may not be shown to scale



Notes:

Supplied unassembled for ease of installation.

Certifications:

Fire rated-UL10c

ANSI/BHMA:

253FS-A

R3P424

Finishes:

A Aluminum mill finish

