



2720 Tobey Drive, Indianapolis, IN 46219
 Tel 1-877-671-7011 ■ Fax 800-851-0000
 Zero.Customer.Support@allegion.com
 www.zerointernational.com

Part No:

364

Part description:

Automatic door bottom
 Heavy duty

Notes:

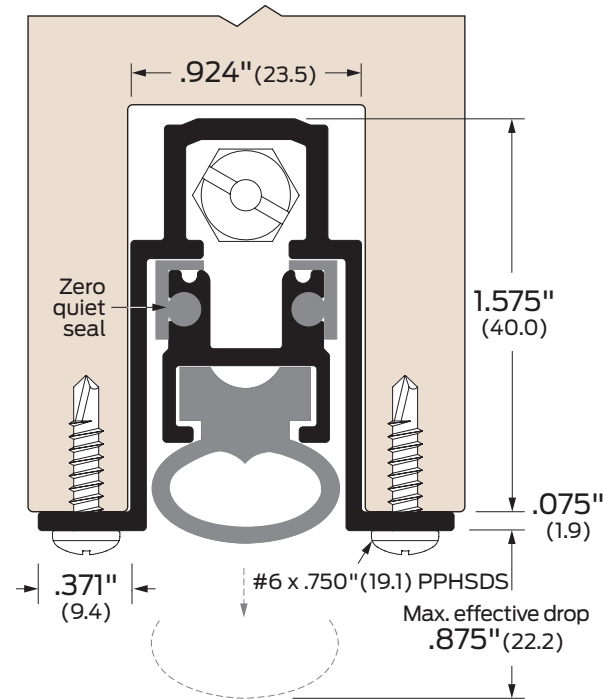
Provided by:

Customer name:

Job no:

Date:

Image may not be shown to scale



Notes:

Mortised. Supplied with solid neoprene extrusion.
 Consult your local AHJ for maximum allowable door undercut.

Certifications:

- Fire rated-UL10c
- Sound

ANSI/BHMA:

364AA

R3B3241

Finishes:

AA Aluminum clear anodized

Options:

- LS Light spring
- Z49 Removable end cap
- PL Pull out
- NH No holes

