



2720 Tobey Drive, Indianapolis, IN 46219
Tel 1-877-671-7011 ■ Fax 800-851-0000
Zero.Customer.Support@allegion.com
www.zerointernational.com

Part No:

477

Part description:

Door sweep

Notes:

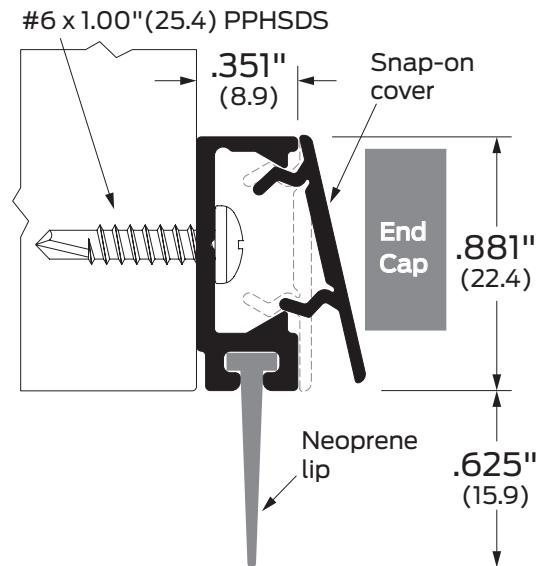
Provided by:

Customer name:

Job no:

Date:

Image may not be shown to scale



Notes:

Specify End Cap option for a clean look on edges.

Certifications:

- Fire rated-UL10c
- Smoke and draft control

ANSI/BHMA:

477AA, 477BK, 477D, 477G

R3B434

Finishes:

- AA** Aluminum clear anodized
- BK** Aluminum black anodized
- D** Aluminum dark bronze anodized
- G** Aluminum gold anodized

Options:

- SEC** Security screws

