

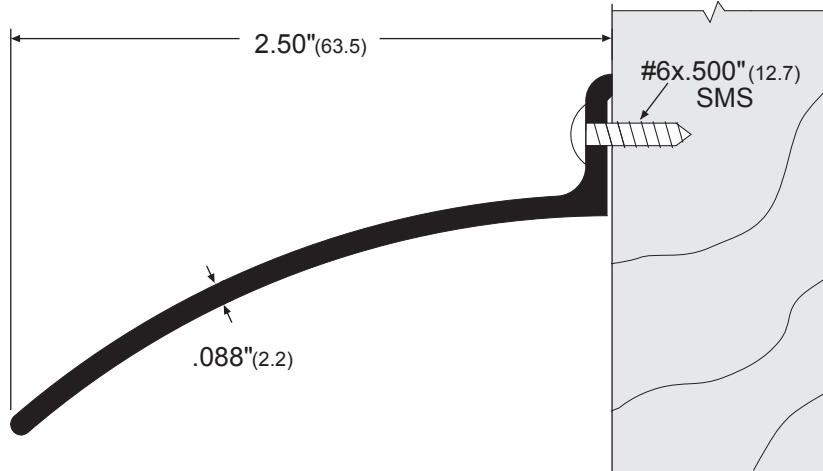


47255382

Model 142 Rain Drip



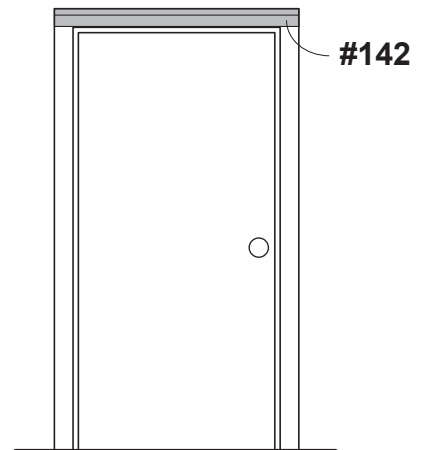
Installation Instructions



TYPICAL INSTALLATION:

- 1 Cut the rain drip length to fit.
- 2 Mark hole locations for screws. Drill holes for screws using #30 drill bit.
- 3 Fasten screws.
- 4 Caulk the top edge of rain drip to prevent water penetration.

- Installation on exterior face of frame header.



Length of rain drip should be the full width of the door frame.



Customer Service

1-877-671-7011

www.allegion.com/us

© Allegion 2016
Printed in U.S.A.
47255382 Rev. 11/16-b