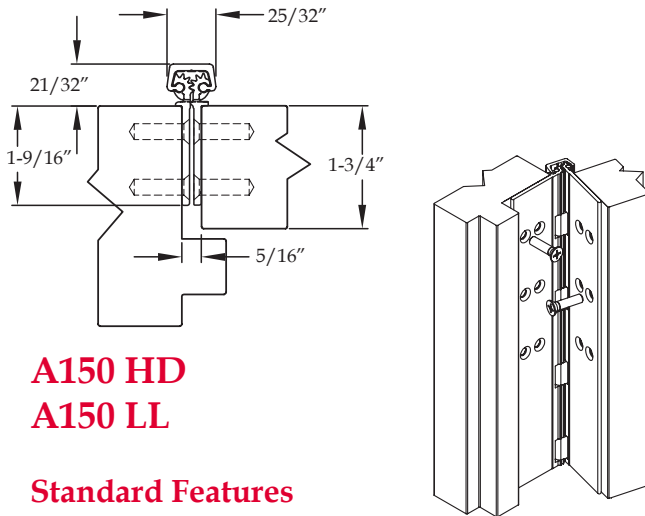


Full Concealed



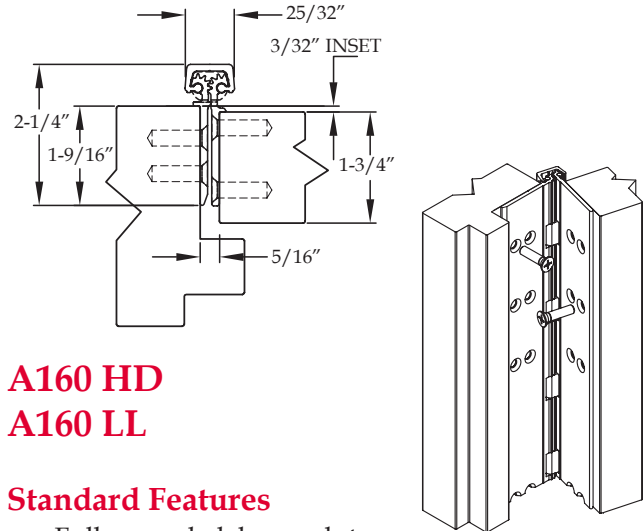
A150 HD A150 LL

Standard Features

- Full concealed, heavy duty
- No door inset, flush mount
- Designed for use on the Kawneer "Tuffline"®* aluminum doors
- 48" door width maximum
- 450 lbs. door weight maximum
- "LL" model for doors up to 1,000 lbs. (lead-lined staggered hole pattern)
- **Fasteners:** 12-24 x 7/8" undercut self-drilling, thread-forming tek machine screws
- **Standard lengths:** 79", 83", 85", 95" and 120"
- **Finishes:** Clear, dark bronze and black anodized
- **Fire Rating**
 - Approved for use on metal swinging type fire doors rated up to and including 90 minutes (Specify "FR" option for 3 hour rating)
 - Approved for use on wood swinging type fire doors rated up to and including 60 minutes (Specify "FR" option for 90 minute rating)

Options Available

- See pages F-7 to F-8 for option availability and details



A160 HD A160 LL

Standard Features

- Full concealed, heavy duty
- 3/32" door inset
- Beveled edge on frame leaf
- 48" door width maximum
- 450 lbs. door weight maximum
- "LL" model for doors up to 1,000 lbs. (lead-lined staggered hole pattern)
- **Fasteners:** 12-24 x 7/8" undercut self-drilling, thread-forming tek machine screws
- **Standard lengths:** 79", 83", 85", 95" and 120"
- **Finishes:** Clear, dark bronze and black anodized
- **Fire Rating**
 - Approved for use on metal swinging type fire doors rated up to and including 90 minutes (Specify "FR" option for 3 hour rating)
 - Approved for use on wood swinging type fire doors rated up to and including 60 minutes (Specify "FR" option for 90 minute rating)

Options Available

- See pages F-7 to F-8 for option availability and details

*Brand names are trademarks or registered trademarks of their respective companies.

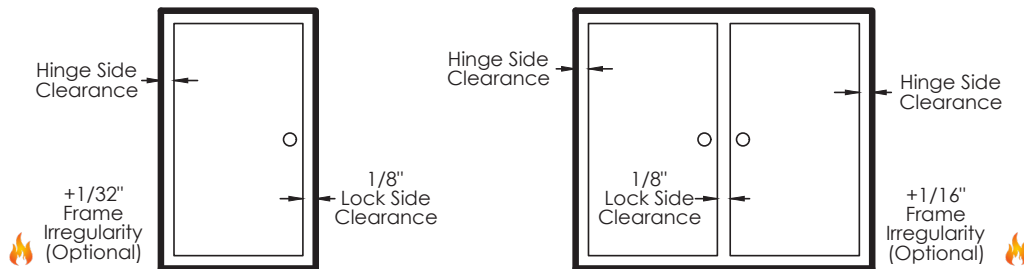


Door Clearance Chart Squared Edge

Single Door - Squared Edged							
Hinge Model		Hinge Thickness	+	Lock Side Clearance	+	*Frame Irregularity (OPTIONAL)	= Square Edged Door Undersized (Single)
Full Concealed	A110, A110WT, A111 A111WT, A120, A140, A150, A160, A240, A260, A270, A410	5/16"	+	1/8"	+	1/32"	= 15/32"
	A130, A135	13/16"	+	1/8"	+	1/32"	= 3 1/32"
Half Surface	A211, A213, A450, A460, A520, A530, A540, A550	3/16"	+	1/8"	+	1/32"	= 1 1/32"
Full Surface	A210, A570, A571, A575	1/16"	+	1/8"	+	1/32"	= 7/32"

Single Door

Pair of Doors



Pair of Doors - Squared Edged							
Hinge Model		Hinge Thickness (Pair)	+	Lock Side Clearance	+	*Frame Irregularity (OPTIONAL)	= Square Edged Door Undersized (Pair)
Full Concealed	A110, A110WT, A111 A111WT, A120, A140, A150, A160, A240, A260, A270, A410	5/8"	+	1/8"	+	1/16"	= 13/16"
	A130, A135	1-5/8"	+	1/8"	+	1/16"	= 1-13/16"
Half Surface	A211, A213, A450, A460, A520, A530, A540, A550	1/4"	+	1/8"	+	1/16"	= 7/16"
Full Surface	A210, A570, A571, A575	1/8"	+	1/8"	+	1/16"	= 5/16"

* 1/16" Frame Irregularity Allowance, Optional and included in all Total Door Undersize for single and pairs of doors

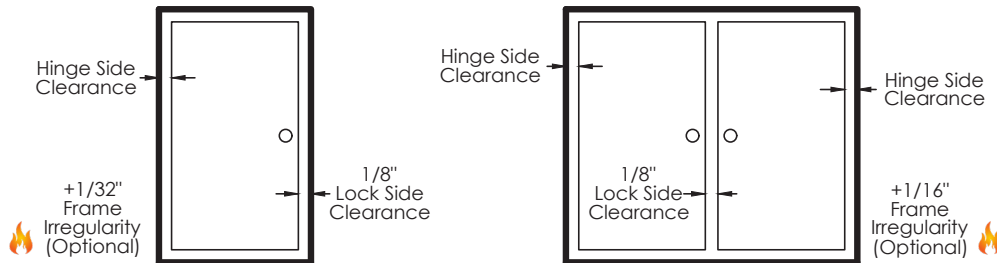
Frame irregularity not permitted by NFPA80

Door Clearance Chart Beveled Edge

Single Door - Beveled Edged										
Hinge Model		Hinge Thickness	+	Lock Side Clearance	+	* Frame Irregularity (OPTIONAL)	+	Beveled Door Clearance	=	Beveled Edged Door Undersized (Single)
Full Concealed	A110, A110WT, A111 A111WT, A120, A140, A150, A160, A240, A260, A270, A410	5/16"	+	1/8"	+	1/32"	+	1/32"	=	1/2"
	A130, A135	13/16"	+	1/8"	+	1/32"	+	1/32"	=	1"
Half Surface	A211, A213, A450, A460, A520, A530, A540, A550	3/16"	+	1/8"	+	1/32"	+	1/32"	=	3/8"
Full Surface	A210, A570, A571, A575	1/16"	+	1/8"	+	1/32"	+	N/A	=	7/32"

Single Door

Pair of Doors



Pair of Doors - Beveled Edged										
Hinge Model		Hinge Thickness (Pair)	+	Lock Side Clearance	+	* Frame Irregularity (OPTIONAL)	+	Beveled Door Clearance	=	Beveled Edged Door Undersized (Pair)
Full Concealed	A110, A110WT, A111 A111WT, A120, A140, A150, A160, A240, A260, A270, A410	5/8"	+	1/8"	+	1/16"	+	1/16"	=	7/8"
	A130, A135	1-5/8"	+	1/8"	+	1/16"	+	1/16"	=	1-7/8"
Half Surface	A211, A213, A450, A460, A520, A530, A540, A550	1/4"	+	1/8"	+	1/16"	+	N/A	=	7/16"
Full Surface	A210, A570, A571, A575	1/8"	+	1/8"	+	1/16"	+	N/A	=	5/16"

* 1/16" Frame Irregularity Allowance, Optional and included in all Total Door Undersize for single and pairs of doors

Frame irregularity not permitted by NFPA80

INSTALLATION INSTRUCTIONS FOR FULL CONCEALED HINGES

A110HD/LL, A111HD/LL, A130HD, A135HD, A140HD/LL, A150HD/LL, A160HD/LL
A240HD/LL, A260HD/LL, A270HD/LL, A280HD/LL & A410HD/LL

- A. All uncut standard length hinges are non-handed and can be used for right or left hand doors.
- B. Standard length hinges are supplied slightly shorter than nominal door height to accommodate threshold and carpeting clearances.

CUTTING THE HINGE TO FIT

- Keep hinge in the closed position
- Determine **HANDING** if required. Not all hinges will become handed after cutting.
- Cut one end of the hinge only. Cut end will be installed at the bottom (Six-hole pattern remains at the top)
- Use a Metal Cutting Saw cut through the gear cap first.

Note: If cut length interferes with a set screw bearing remove it and switch it with a plain bearing above the cut location.

FRAME PREP

With the hinge in the open position

1. Locate the top of the hinge 1/8" below the header

With the frame leaf flange tight against the frame

2. Mark or Center Punch hole locations

Note: If using wood screws drill a 5/32" pilot hole

DO NOT ATTACH HINGE TO FRAME AT THIS TIME

ATTACH THE HINGE TO THE DOOR

4. Position Door Leaf on door. Door leaf alignment flange or door leaf lip must be seated against door edge.
5. Align the top end of the hinge to be absolutely flush with the top of the door.
6. Mark or Center Punch hole locations
7. Using the provided Self Drilling/Thread Forming Screws and the proper drive bit please proceed to attach the hinge to the door

Note: If using wood screws drill a 5/32" pilot hole.

ATTACHING DOOR TO FRAME

8. Position door 90 degrees to frame
9. Shim door to the proper height to line up the screw holes in hinge frame leaf with the marks at the top of the frame.
10. Install two screws at the top of the hinge to hold in place
11. Remove shim and align the remaining holes. Install two additional screws in the middle and at the bottom.
12. Check door for proper swing and clearance before installing remaining screws, making necessary adjustments.
13. Install the remaining fasteners after any adjustments are made.

REINFORCING AND RIVNUTS

- No reinforcing is necessary except on extremely high-frequency, extremely heavy or extra-wide doors.
- Rivnuts are recommended for use in the frame when the door exceeds 450lbs.

Note: RIVNUTS are **not** to be used with Fire Rated Hinges

PAIRS OF DOORS WITH MULLIONS

- If the mullion is between the doors, install as single doors.
- If the mullion is behind the doors, install as a double doors.

GROUT/SLUSHED-IN FRAMES

It is recommended that a mudguard be installed behind the frame for ease of installation. Do not use self-drill screws with grouted steel frames without a mudguard. If no mudguard has been used, drill holes through frame and remove grout for screw clearances. Do not oversize hole.

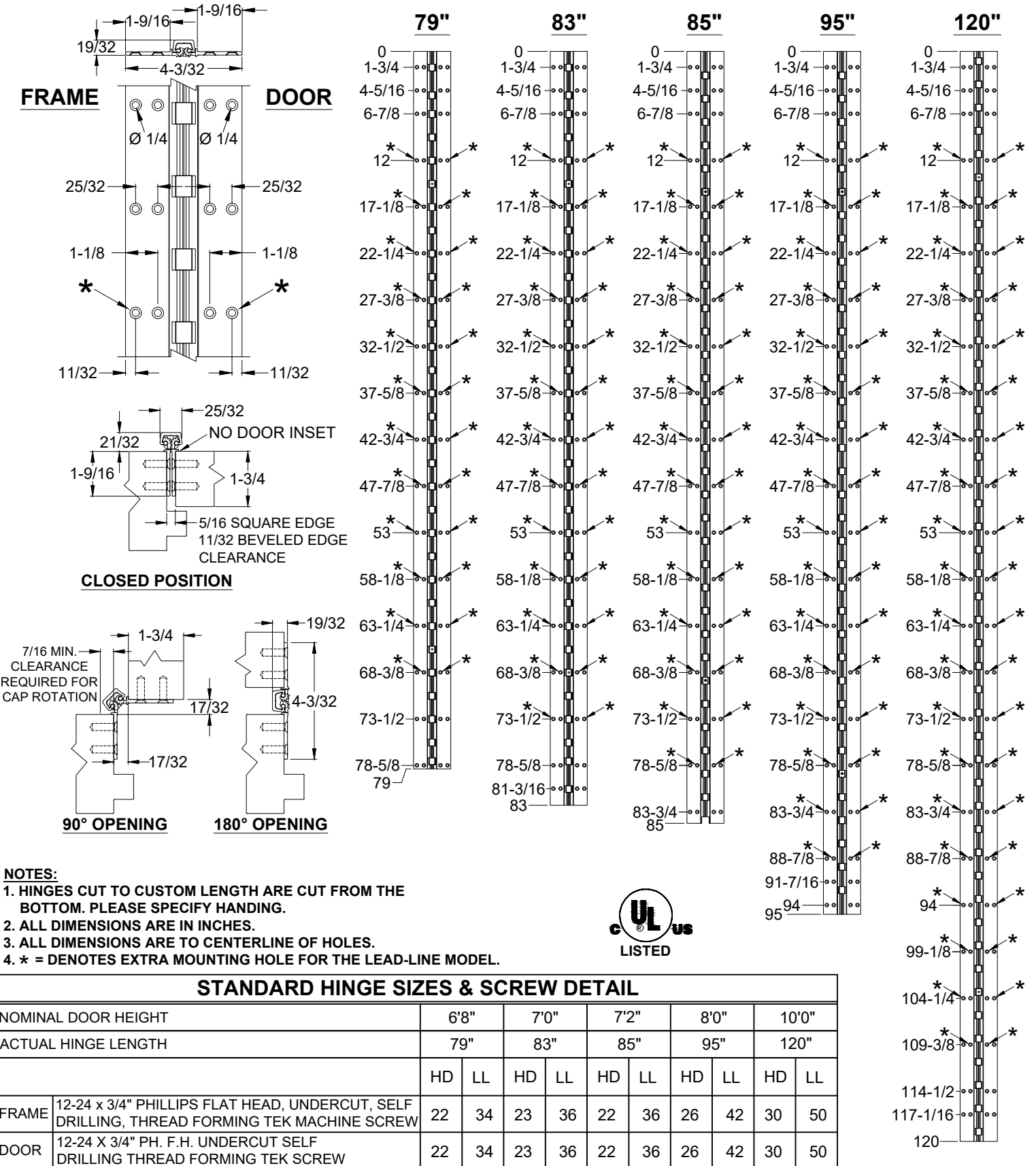
SCREW DETAIL	
FRAME	12-24 x 3/4" PHILLIPS FLAT HEAD, UNDERCUT, SELF DRILLING, THREAD FORMING TEK MACHINE SCREW
DOOR	12-24 x 3/4" PHILLIPS FLAT HEAD, UNDERCUT, SELF DRILLING, THREAD FORMING TEK MACHINE SCREW

Note: #12 x 1-1/2" FLAT HEAD UNDERCUT WOOD SCREWS AVAILABLE UPON REQUEST

The following actions will void any warranty, expressed or implied.

- Failure to Install the hinge according to ABH's specifications and requirements
- Use of Fasteners other than those supplied with the hinge.
- Unauthorized field modifications including removing any of the bearings, altering the original finish or painting the hinge.

A150HD / A150LL - KAWNEER ALUMINUM GEARED HINGE, FLUSH MOUNT, FULL CONCEALED



www.abhmfg.com
 E-mail: abhinfo@abhmfg.com
 Architectural Builders Hardware Mfg., Inc.
 1222 Ardmore Ave., Itasca, IL 60143
 630.875.9900; FAX 800.9FAXABH (932.9224)

A150
ALUMINUM GEARED HINGE

©2019 ABH Mfg., Inc. printed in USA

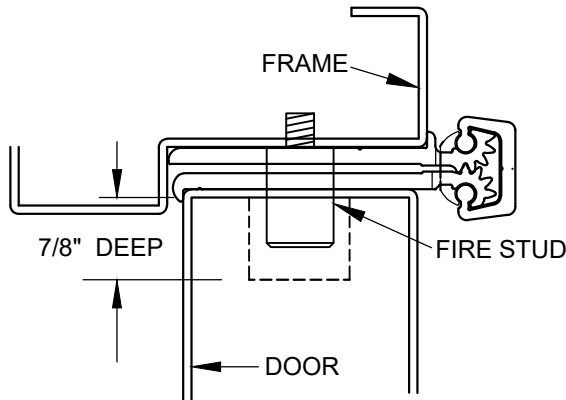
PAGE 1 OF 1
 REVISED 9-10-20

A150-ALUMINUM GEARED HINGE-05.DWG

UL FIRE RATED STUDS FOR INSTALLATION

FULL CONCEALED ALUMINUM GEARED HINGES

MODELS A110HD/LL, A111HD/LL, A140HD/LL, A150HD/LL, A160HD/LL, A240HD/LL, A260HD/LL
A270HD/LL, A280HD/LL & A410HD/LL

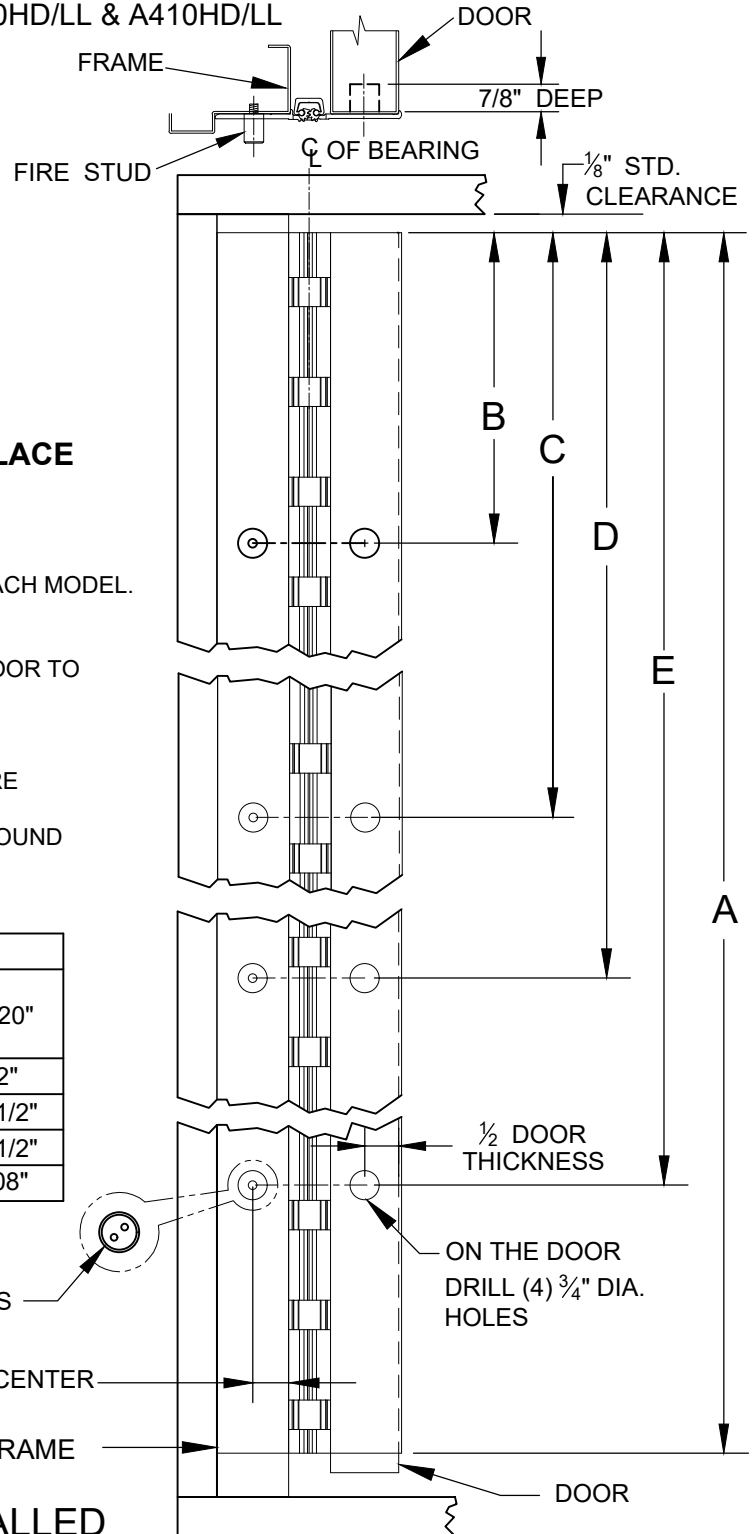


**DOOR SHOWN CLOSED WITH FIRE STUD IN PLACE
USING MODEL A240HD HINGE**

NOTES:

1. INSTALL HINGE PER INSTALLATION INSTRUCTIONS FOR EACH MODEL.
2. FOR THE FRAME SIDE - DRILL AND TAP (4) 12-24 HOLES FOR FIRE STUDS.
3. FOR THE DOOR SIDE - DRILL (4) 3/4" DIA. HOLES IN THE DOOR TO CORRESPOND TO THE STUD HOLES IN THE FRAME SIDE.
4. INSERT STUDS IN THE FOUR (4) TAPPED FRAME HOLES, TIGHTEN SECURELY.
5. SLOWLY CLOSE DOOR MAKING SURE THAT THE STUDS ARE PROPERLY ALIGNED.
6. MINOR INTERFERENCE CAN BE TAKEN CARE OF WITH A ROUND METAL FILE.

DIMENSION					
"A" HINGE LENGTH	79"	83"	85"	95"	120"
"B"	12"	12"	12"	12"	12"
"C"	25-3/8"	27-3/8"	28-3/8"	32-3/8"	42-1/2"
"D"	53-5/8"	55-5/8"	56-5/8"	62-5/8"	77-1/2"
"E"	67"	71"	73"	83"	108"



DOOR SHOWN OPEN 180°

ON THE FRAME, DRILL AND TAP (4) 12-24 HOLES

1/2 THE DOOR THICKNESS + 1/32" FROM CENTER OF HOLE TO EDGE OF FRAME

1/2 DOOR THICKNESS

ON THE DOOR DRILL (4) 3/4" DIA. HOLES

**ALL FOUR (4) STUDS MUST BE INSTALLED
TO COMPLY WITH U.L. RATING**

FIRE STUD - FULL CONCEALED-03.DWG



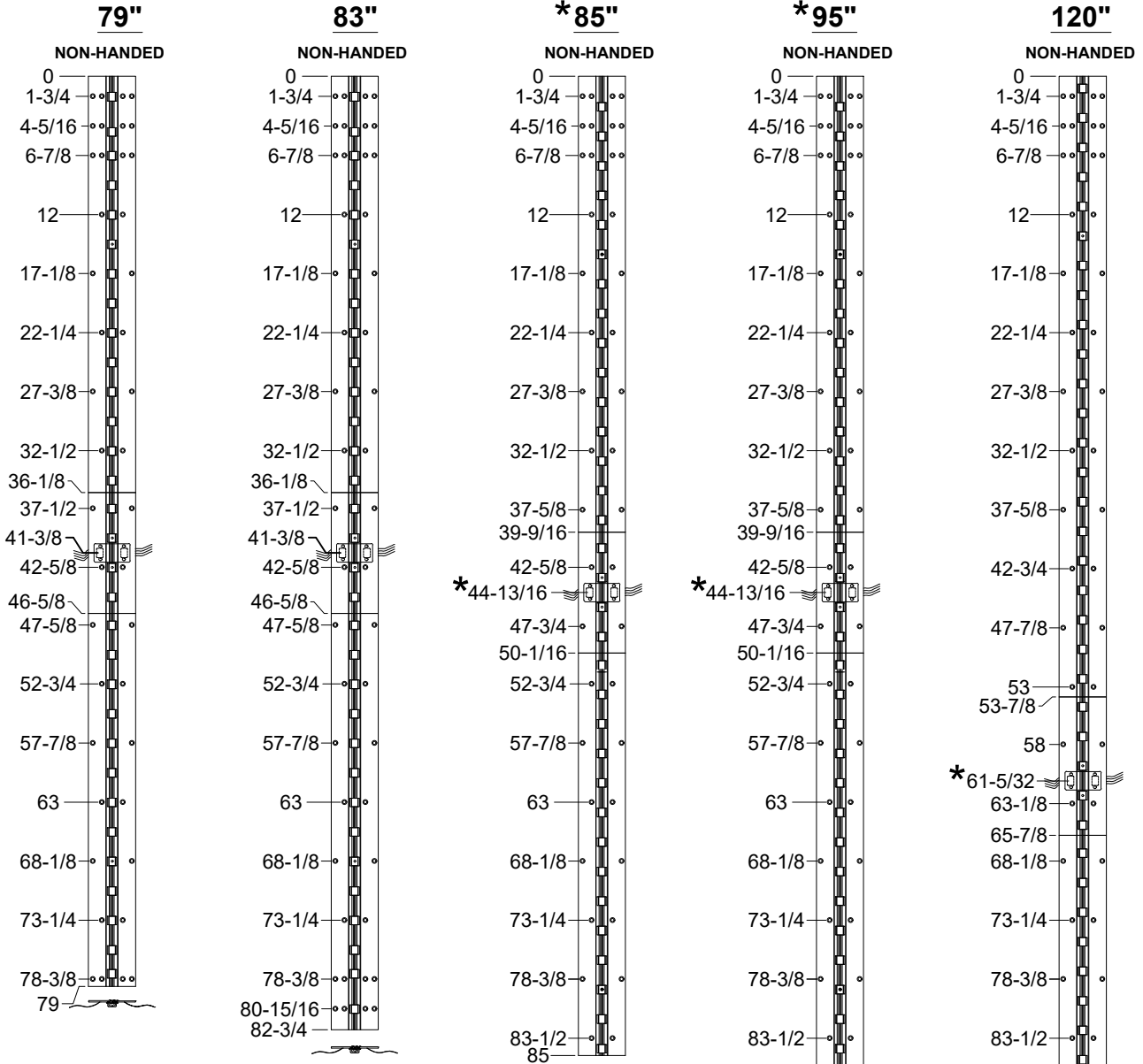
www.abhmf.com
E-mail: abhinfo@abhmf.com
Architectural Builders Hardware Mfg., Inc.
1222 Ardmore Ave., Itasca, IL 60143
630.875.9900; FAX 800.9FAXABH (932.9224)

© 2021 ABH Mfg., Inc.
printed in USA

**FIRE STUD -
FULL CONCEALED**

PAGE 1 OF 1
REVISED 11-22-21

**A150HD - "EA" & "R" OPTION, KAWNEER, EASY ACCESS WITH REMOVABLE OPTION,
CONCEALED ELECTRIFICATION, FULL CONCEALED, ALUMINUM GEARED HINGE**



12 WIRE STANDARD

*THE THRU WIRING IS NOT CENTERED IN THE HINGE

*THE THRU WIRING IS NOT CENTERED IN THE HINGE

*THE THRU WIRING IS NOT CENTERED IN THE HINGE



NOTES:

1. HINGES CUT TO CUSTOM LENGTH ARE CUT FROM BOTTOM OF HINGE. CUSTOM CUT HINGE REQUIRES HANDING.

R = REMOVABLE, (3) INDIVIDUAL HINGES, THRU WIRE CAN BE REMOVED TO ACCESS WIRES.

STANDARD HINGE SIZES & SCREW DETAIL

		6'8"	7'0"	7'2"	8'0"	10'0"
NOMINAL DOOR HEIGHT		6'8"	7'0"	7'2"	8'0"	10'0"
ACTUAL HINGE LENGTH		79"	83"	85"	95"	120"
FRAME	12-24 x 3/4" PHILLIPS FLAT HEAD, UNDERCUT, SELF DRILLING, THREAD FORMING TEK MACHINE SCREW	21	23	21	26	30
DOOR	12-24 x 3/4" PHILLIPS FLAT HEAD, UNDERCUT, SELF DRILLING, THREAD FORMING TEK MACHINE SCREW	21	23	21	26	30



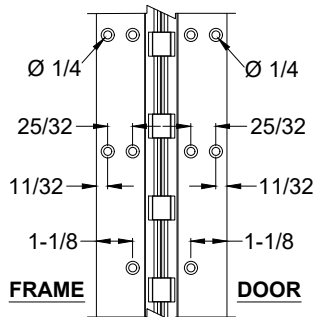
www.abhmfg.com
 E-mail: abhinfo@abhmfg.com
 Architectural Builders Hardware Mfg., Inc.
 1222 Ardmore Ave., Itasca, IL 60143
 630.875.9900; FAX 800.9FAXABH (932.9224)

© 2020 ABH Mfg., Inc.
 printed in USA

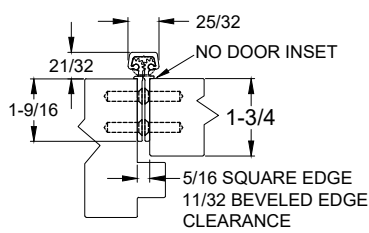
A150HD- EA & R, ELECTRICAL MODIFICATION WITH REMOVABLE OPTION-1-03

A150HD - "EA" & "R"
 ELECTRICAL MODIFICATION
 WITH REMOVABLE OPTION
 PAGE 1 OF 2
 REVISED 8-11-21

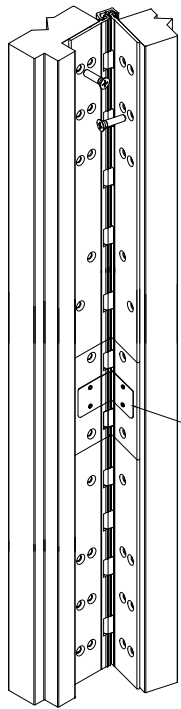
**A150HD - "EA" & "R" OPTION, KAWNEER, EASY ACCESS WITH REMOVABLE OPTION,
CONCEALED ELECTRIFICATION, FULL CONCEALED, ALUMINUM GEARED HINGE**



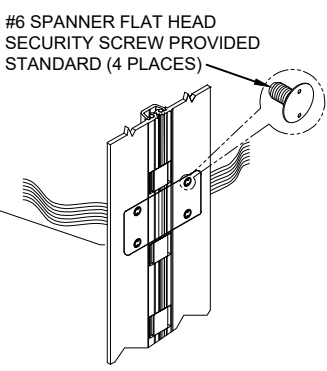
FRAME **DOOR**



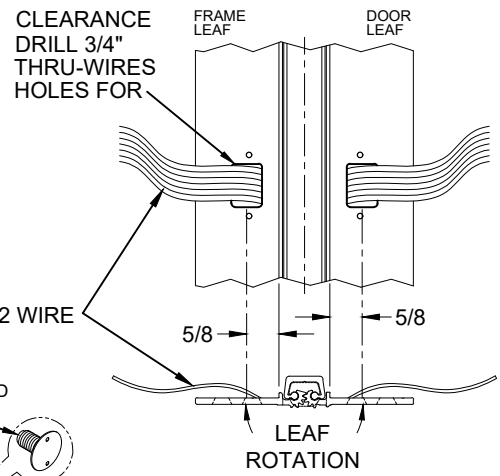
CLOSED POSITION



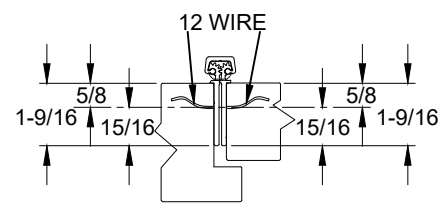
**ISOMETRIC VIEW
~90° OPENING**



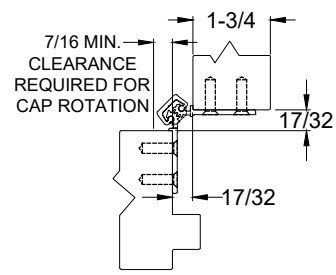
**ISOMETRIC VIEW
180° OPENING**



WIRE TRANSFER VIEW



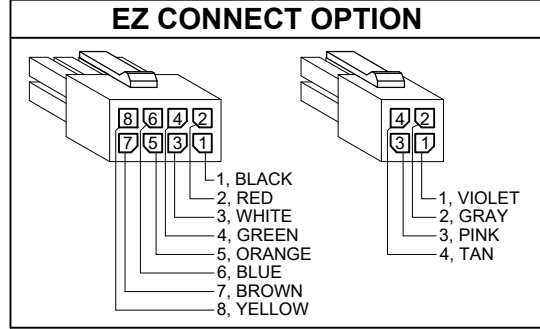
WIRE TRANSFER VIEW



90° OPENING

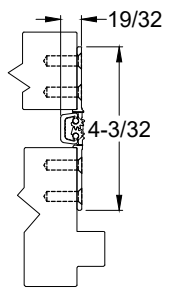
NOTES:

- MOLEX CONNECTOR OPTION AVAILABLE - SUFFIX "EZ".**
* SPECIFY ELECTRIFIED HARDWARE MANUFACTURER FOR CONNECTOR COMPABILITY



SPECIFICATION:

- DESCRIPTION:** SINGLE CONDUCTOR #22 AWG MINIATURE HOOK-UP WIRE FOR APPLICATIONS REQUIRING EXTREME FLEXIBILITY.
- CONDUCTOR:** #22 AWG 168/44 (0.002") SOFT BARE COPPER LHL.
- INSULATION:** PROPRIETARY FORMULATION PVC 0.010" NOM. WALL MEETS VW-1 FLAME REQUIREMENT.
- DIAMETER:** 0.053" ± 0.003".
- RESISTANCE:** 16.7 OHMS MAX. @ 20°C, PER 1000 FT.
- VOLTAGE RATING:** 600 VOLTS RMS, DEPENDING ON SPECIFICATION.
- AVAILABLE AS RoHS COMPLIANT.**



180° OPENING



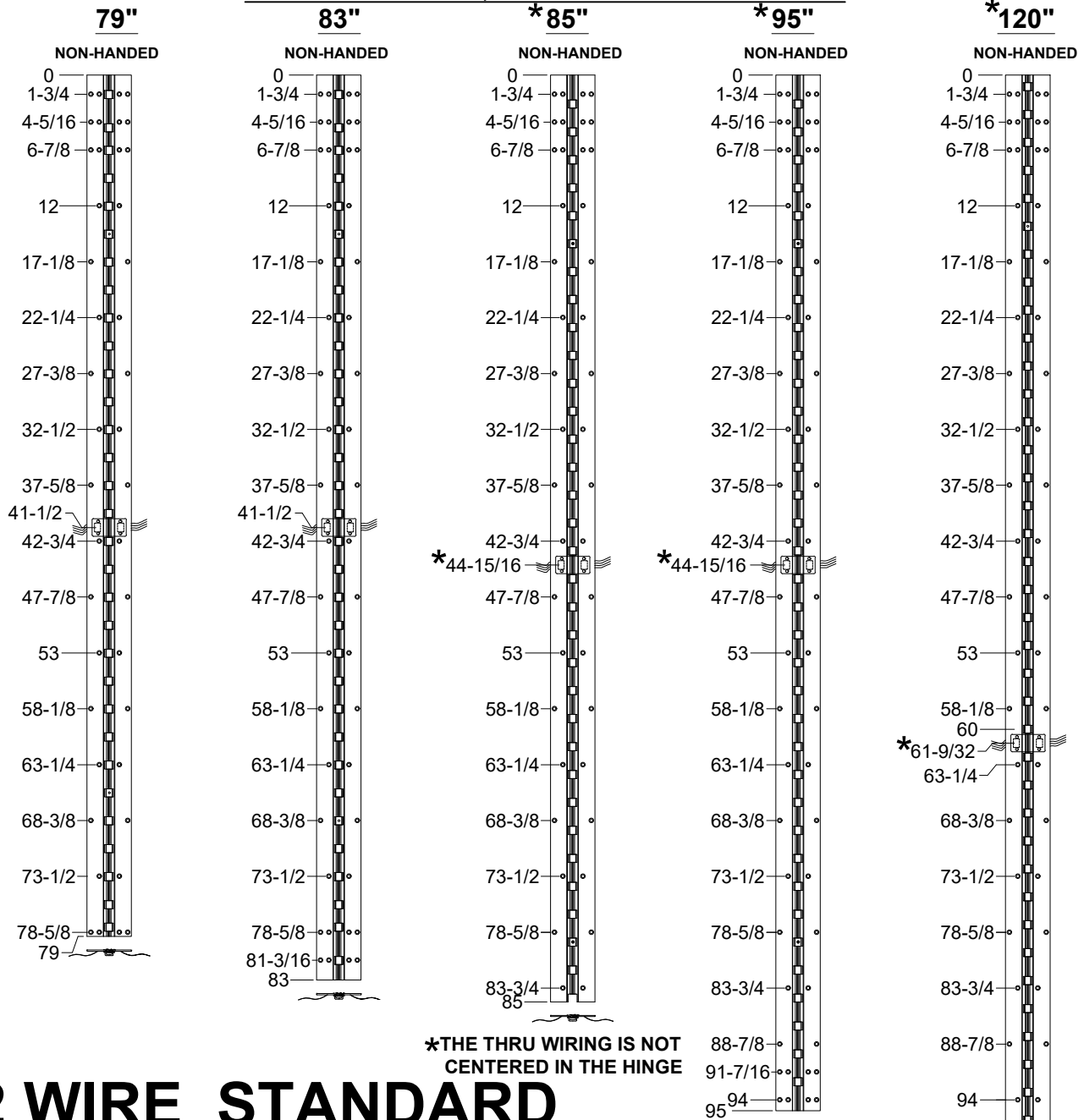
www.abhmfg.com
E-mail: abhinfo@abhmfg.com
Architectural Builders Hardware Mfg., Inc.
1222 Ardmore Ave., Itasca, IL 60143
630.875.9900; FAX 800.9FAXABH (932.9224)

© 2020 ABH Mfg., Inc.
printed in USA

A150HD - "EA" & "R"
ELECTRICAL MODIFICATION
WITH REMOVABLE OPTION
PAGE 2 OF 2
REVISED 8-11-21

A150HD- EA & R, ELECTRICAL MODIFICATION WITH REMOVABLE OPTION-2-03

**A150HD - "EA" OPTION, KAWNEER, EASY ACCESS CONCEALED ELECTRIFICATION,
FULL CONCEALED, ALUMINUM GEARED HINGE**



***THE THRU WIRING IS NOT CENTERED IN THE HINGE**

***THE THRU WIRING IS NOT CENTERED IN THE HINGE**

***THE THRU WIRING IS NOT CENTERED IN THE HINGE**

12 WIRE STANDARD

NOTES:

- HINGES CUT TO CUSTOM LENGTH ARE CUT FROM BOTTOM OF HINGE. CUSTOM CUT HINGE REQUIRES HANDING.



STANDARD HINGE SIZES & SCREW DETAIL

NOMINAL DOOR HEIGHT		6'8"	7'0"	7'2"	8'0"	10'0"
ACTUAL HINGE LENGTH		79"	83"	85"	95"	120"
FRAME	12-24 x 3/4" PHILLIPS FLAT HEAD, UNDERCUT, SELF DRILLING, THREAD FORMING TEK MACHINE SCREW	21	23	21	26	30
DOOR	12-24 x 3/4" PHILLIPS FLAT HEAD, UNDERCUT, SELF DRILLING, THREAD FORMING TEK MACHINE SCREW	21	23	21	26	30

A150HD- EA OPTION, EASY ACCESS ELECTRICAL MODIFICATION-1-03



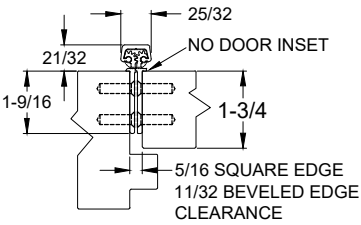
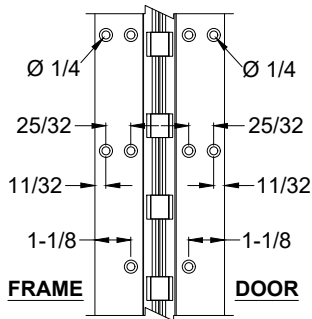
www.abhmf.com
E-mail: abhinfo@abhmf.com
Architectural Builders Hardware Mfg., Inc.
1222 Ardmore Ave., Itasca, IL 60143
630.875.9900; FAX 800.9FAXABH (932.9224)

**A150HD - "EA" OPTION EASY ACCESS
CONCEALED ELECTRIFICATION**

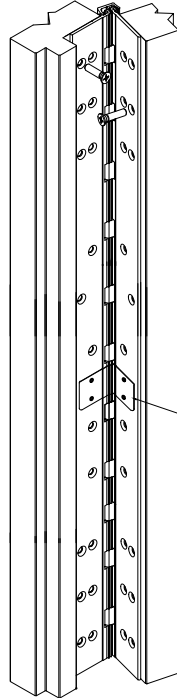
© 2020 ABH Mfg., Inc.
printed in USA

PAGE 1 OF 2
REVISED 08-11-21

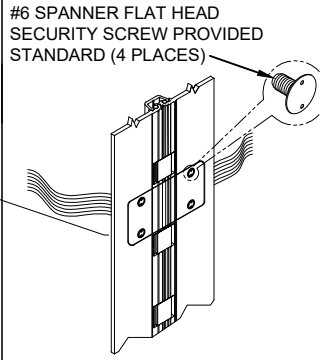
**A150HD - "EA" OPTION, KAWNEER, EASY ACCESS CONCEALED ELECTRIFICATION,
FULL CONCEALED, ALUMINUM GEARED HINGE**



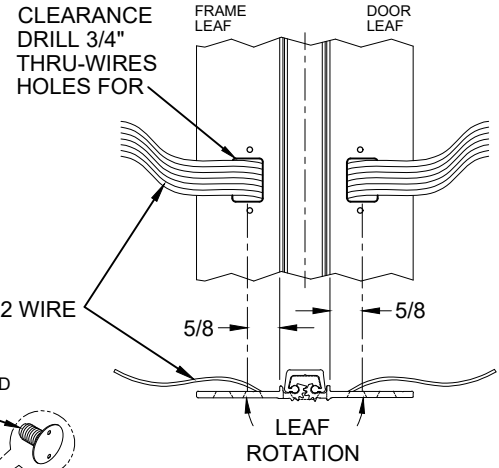
CLOSED POSITION



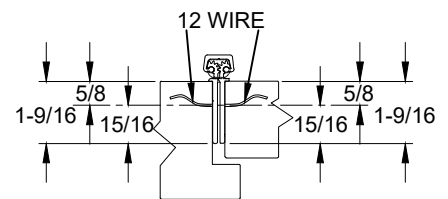
**ISOMETRIC VIEW
~90° OPENING**



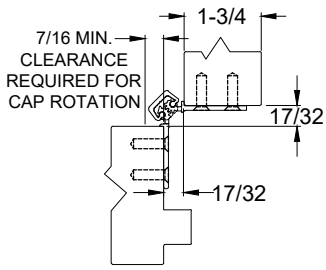
**ISOMETRIC VIEW
180° OPENING**



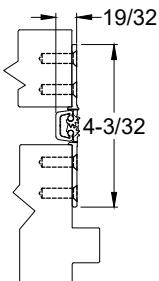
WIRE TRANSFER VIEW



WIRE TRANSFER VIEW



90° OPENING



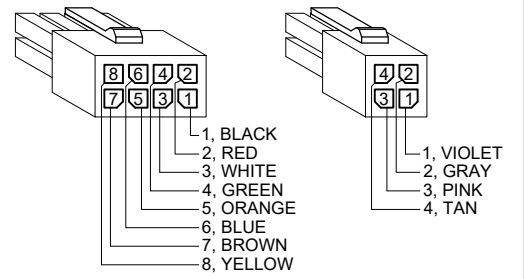
180° OPENING

NOTES:

1. MOLEX [®] CONNECTOR OPTION AVAILABLE - SUFFIX "EZ".

*** SPECIFY ELECTRIFIED HARDWARE MANUFACTURER FOR CONNECTOR COMPABILITY**

EZ CONNECT OPTION



SPECIFICATION:

DESCRIPTION: SINGLE CONDUCTOR #22 AWG MINIATURE HOOK-UP WIRE FOR APPLICATIONS REQUIRING EXTREME FLEXIBILITY.

CONDUCTOR: #22 AWG 168/44 (0.002") SOFT BARE COPPER LHL.

INSULATION: PROPRIETARY FORMULATION PVC 0.010" NOM. WALL MEETS VW-1 FLAME REQUIREMENT.

DIAMETER: 0.053" ± 0.003".

RESISTANCE: 16.7 OHMS MAX. @ 20°C, PER 1000 FT.

VOLTAGE RATING: 600 VOLTS RMS, DEPENDING ON SPECIFICATION.

AVAILABLE AS RoHS COMPLIANT.



www.abhmfg.com
E-mail: abhinfo@abhmfg.com
Architectural Builders Hardware Mfg., Inc.
1222 Ardmore Ave., Itasca, IL 60143
630.875.9900; FAX 800.9FAXABH (932.9224)

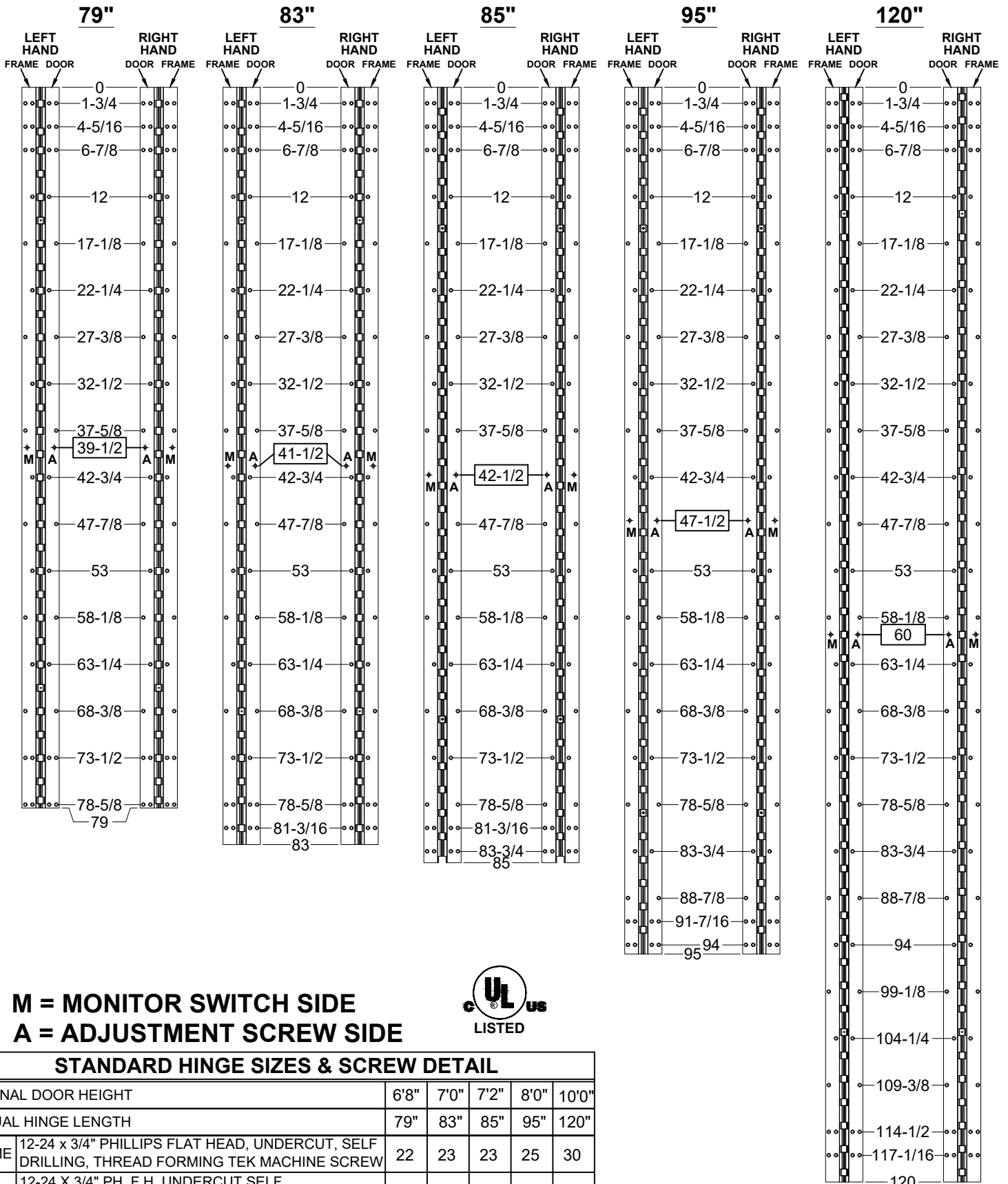
A150HD- EA OPTION, EASY ACCESS ELECTRICAL MODIFICATION-2-03

**A150HD - "EA" OPTION EASY ACCESS
CONCEALED ELECTRIFICATION**

© 2020 ABH Mfg., Inc.
printed in USA

PAGE 2 OF 2
REVISED 8-11-21

**A150HD - "ES" OPTION, KAWNEER, CONCEALED ELECTRIFICATION, FULL CONCEALED,
ALUMINUM GEARED HINGE**



**M = MONITOR SWITCH SIDE
A = ADJUSTMENT SCREW SIDE**



STANDARD HINGE SIZES & SCREW DETAIL

NOMINAL DOOR HEIGHT	6'8"	7'0"	7'2"	8'0"	10'0"
ACTUAL HINGE LENGTH	79"	83"	85"	95"	120"
FRAME	12-24 x 3/4" PHILLIPS FLAT HEAD, UNDERCUT, SELF DRILLING, THREAD FORMING TEK MACHINE SCREW				
DOOR	12-24 X 3/4" PH. F.H. UNDERCUT SELF DRILLING THREAD FORMING TEK SCREW				
	22	23	23	25	30



www.abhmg.com
E-mail: abhinfo@abhmg.com
Architectural Builders Hardware Mfg., Inc.
1222 Ardmore Ave., Itasca, IL 60143
630.875.9900; FAX 800.9FAXABH (932.9224)

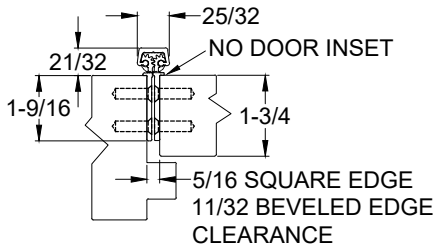
© 2019 ABH Mfg., Inc.
printed in USA

A150HD-ES OPTION, CONCEALED ELECTRIFICATION-1-04

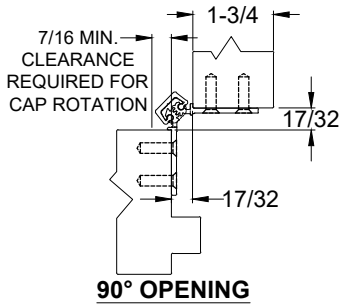
**A150HD - "ES" OPTION
CONCEALED ELECTRIFICATION**

PAGE 1 OF 2
REVISED 8-11-21

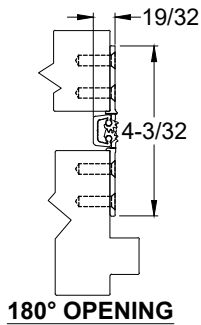
**A150HD - "ES" OPTION, KAWNEER, CONCEALED ELECTRIFICATION, FULL CONCEALED,
ALUMINUM GEARED HINGE**



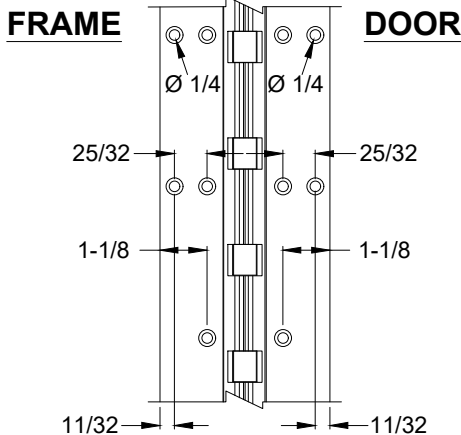
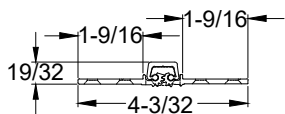
CLOSED POSITION



90° OPENING

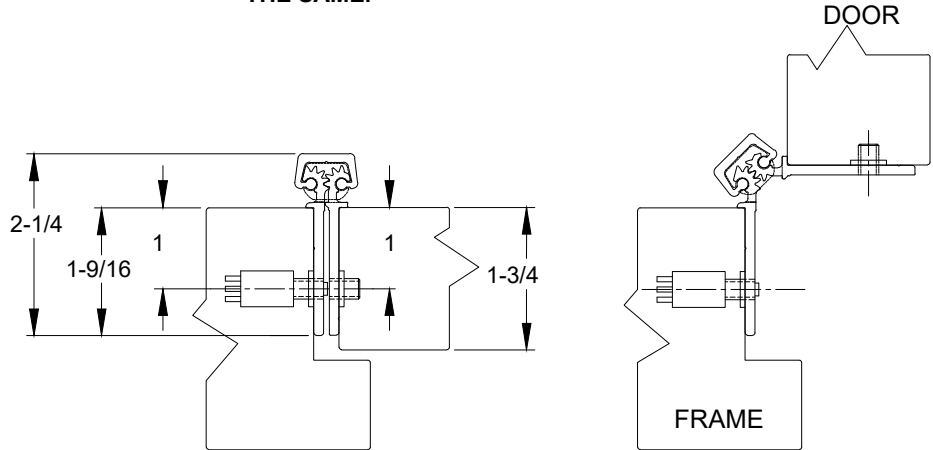


180° OPENING



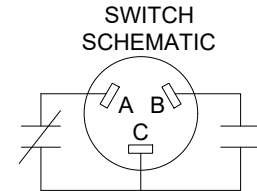
NOTES:

1. HINGES CUT TO CUSTOM LENGTH ARE CUT FROM BOTTOM OF HINGE.
2. SPECIFY HANDING WHEN ORDERING.
3. IF "M" OPTION (MOVEABLE PANEL) OR "R" OPTION (REMOVABLE PANEL) IS CHOSEN, TEMPLATE REMAINS THE SAME.

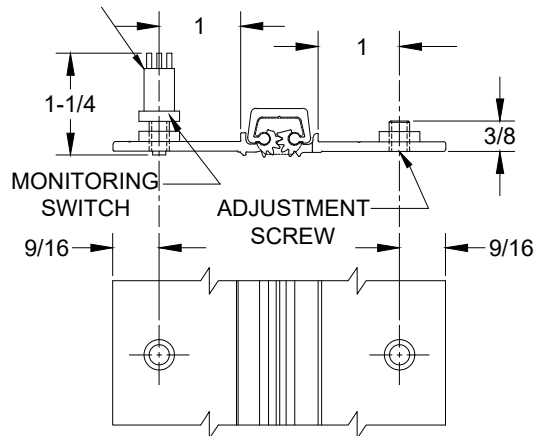


EXPOSED MONITOR SWITCH VIEW, LEFT HAND SHOWN

NOTE: 5/8" DIA. HOLE REQUIRED IN JAMB FOR MONITORING SWITCH AND A 7/16" DIA. HOLE FOR CLEARANCE OF ADJUSTMENT SCREW



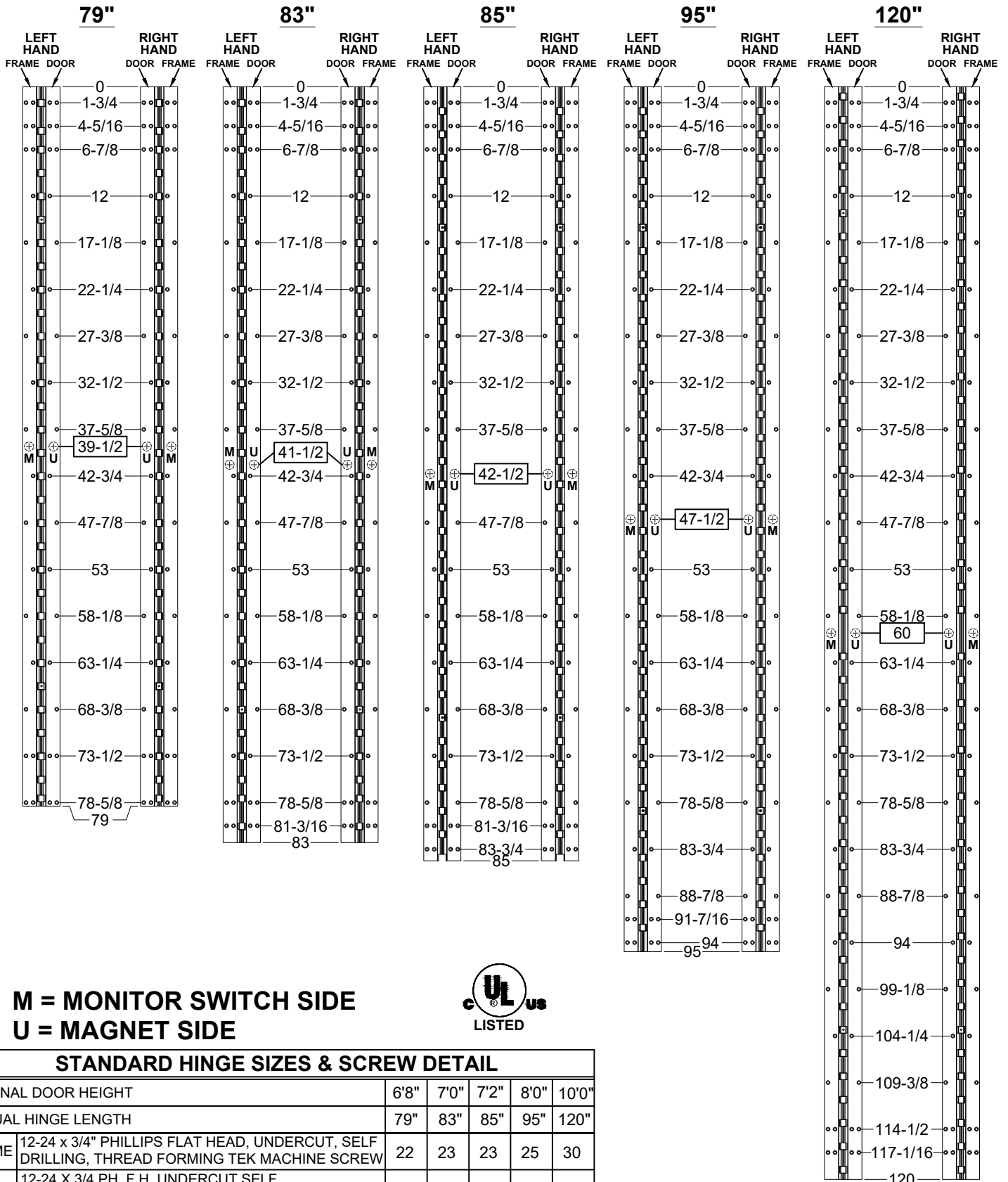
A & C = NORMALLY CLOSED
B & C = NORMALLY OPEN



EXPOSED MONITOR SWITCH VIEW

A150HD-ES OPTION, CONCEALED ELECTRIFICATION-2-04

**A150HD - "EM" OPTION, KAWNEER, CONCEALED ELECTRIFICATION, FULL CONCEALED,
ALUMINUM GEARED HINGE**



**M = MONITOR SWITCH SIDE
U = MAGNET SIDE**



STANDARD HINGE SIZES & SCREW DETAIL

NOMINAL DOOR HEIGHT	6'8"	7'0"	7'2"	8'0"	10'0"
ACTUAL HINGE LENGTH	79"	83"	85"	95"	120"
FRAME	12-24 x 3/4" PHILLIPS FLAT HEAD, UNDERCUT, SELF DRILLING, THREAD FORMING TEK MACHINE SCREW				
DOOR	12-24 X 3/4 PH. F.H. UNDERCUT SELF DRILLING THREAD FORMING TEK SCREW				
	22	23	23	25	30

A150HD-EM OPTION, CONCEALED ELECTRIFICATION-1-04



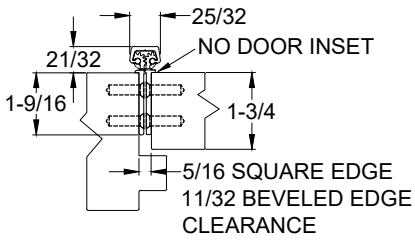
www.abhmfg.com
E-mail: abhinfo@abhmfg.com
Architectural Builders Hardware Mfg., Inc.
1222 Ardmore Ave., Itasca, IL 60143
630.875.9900; FAX 800.9FAXABH (932.9224)

© 2019 ABH Mfg., Inc.
printed in USA

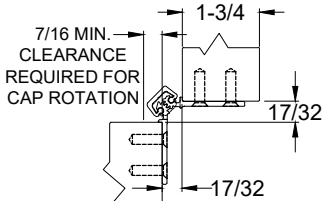
**A150HD - "EM" OPTION
CONCEALED ELECTRIFICATION**

PAGE 1 OF 2
REVISED 8-11-21

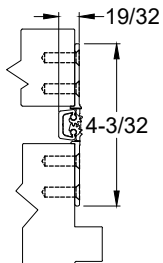
A150HD - "EM" OPTION, KAWNEER, CONCEALED ELECTRIFICATION, FULL CONCEALED, ALUMINUM GEARED HINGE



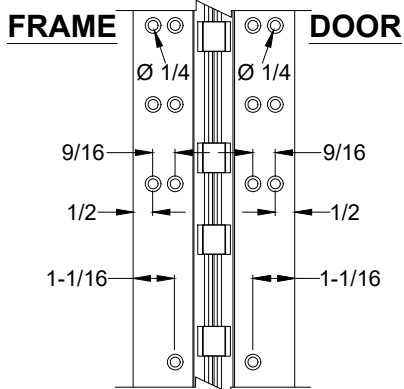
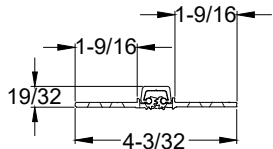
CLOSED POSITION



90° OPENING

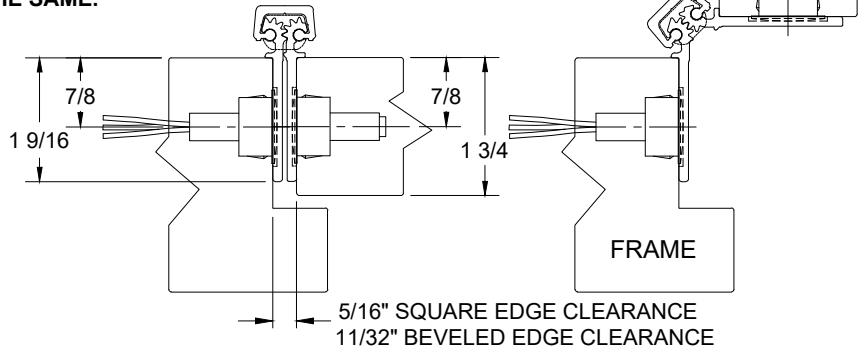


180° OPENING



NOTES:

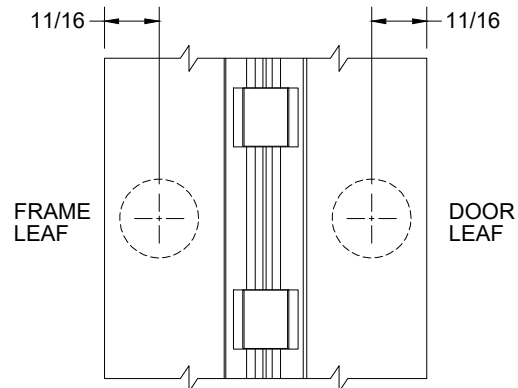
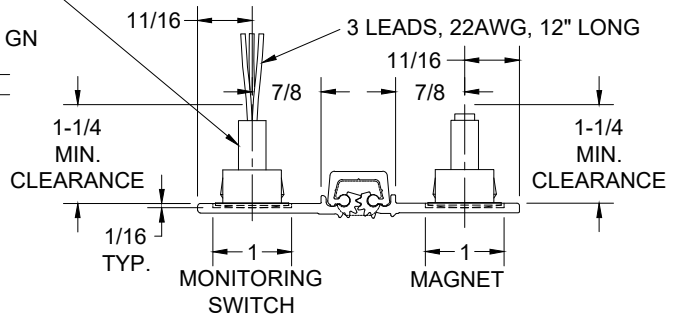
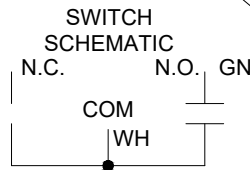
1. HINGES CUT TO CUSTOM LENGTH ARE CUT FROM BOTTOM OF HINGE.
2. SPECIFY HANDING WHEN ORDERING.
3. IF "M" OPTION (MOVEABLE PANEL) OR "R" OPTION (REMOVABLE PANEL) IS CHOSEN, TEMPLATE REMAINS THE SAME.



MAGNETIC MONITOR SWITCH VIEW, LEFT HAND SHOWN

NOTE: 7/8" DIA. MIN. CLEARANCE HOLE REQUIRED IN DOOR & FRAME FOR MONITORING SWITCH AND MAGNET

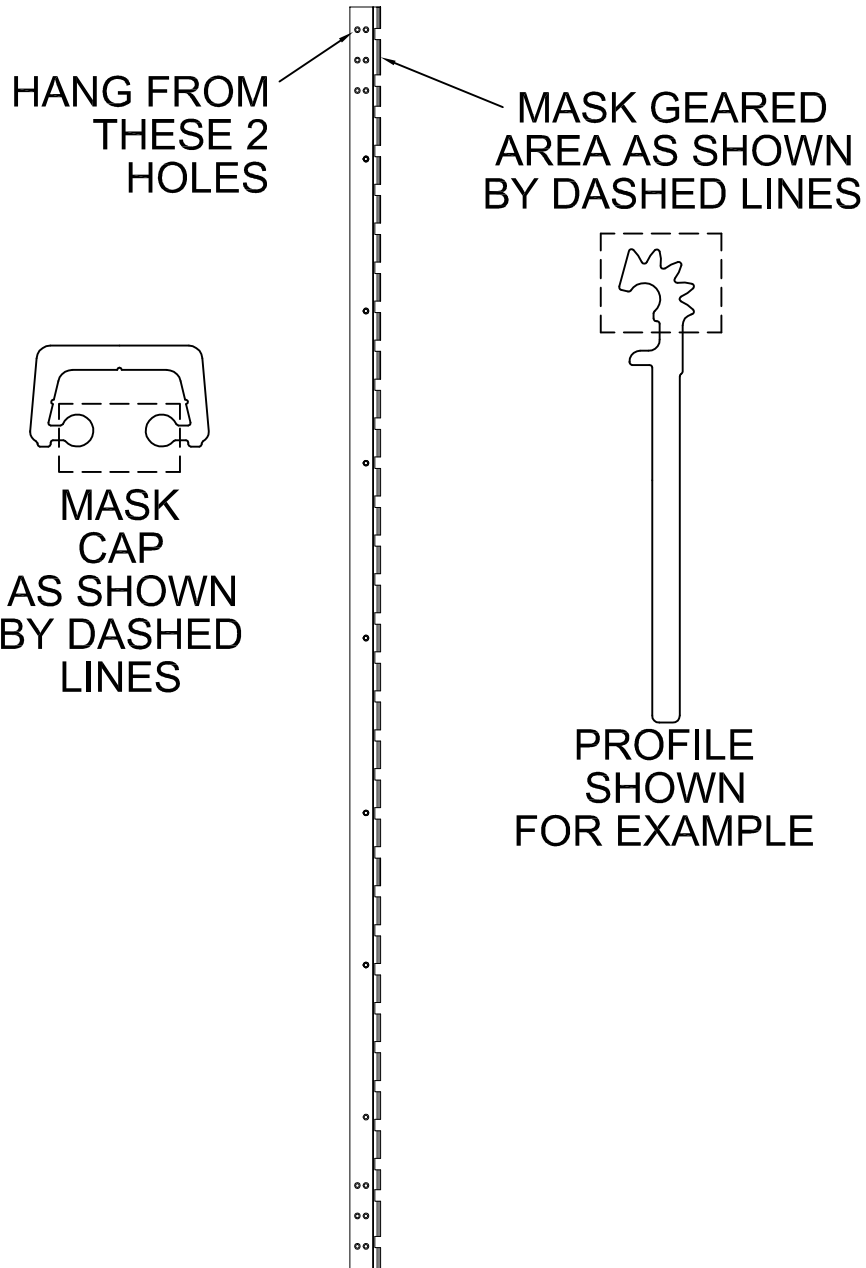
ELECTRICAL CONFIG.: SPDT
 MAX. INITIAL CONTACT RESISTANCE : 0.140 OHM
 MAX. CONTACT RATING: 5 WATT
 MAX. SWITCHING VOLTAGE: 175 VDC
 MAX. SWITCHING CURRENT: 0.25 AMP



MAGNETIC MONITOR SWITCH VIEW

POWDER COAT MASKING

**MUST HANG PART
AS SHOWN TO PREVENT
PART FROM BENDING
BY THE CUTOUT**



® www.abhmfg.com
E-mail: abhinfo@abhmfg.com
Architectural Builders Hardware Mfg., Inc.
1222 Ardmore Ave., Itasca, IL 60143
630.875.9900; FAX 800.9FAXABH (932.9224)

POWDER COAT MASKING-00.DWG

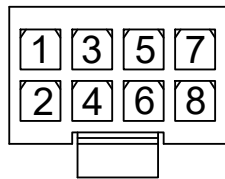
POWDER COAT MASKING

© 2008 ABH Mfg., Inc.
printed in USA

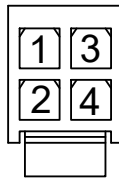
PAGE 1 OF 1
ISSUED 12-15-08

ABH EZ CONNECT WIRE COLOR & POSITION STANDARD FOR MOLEX™ MICRO-FIT 3.0 CONNECTOR

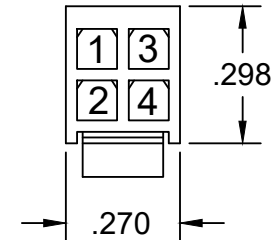
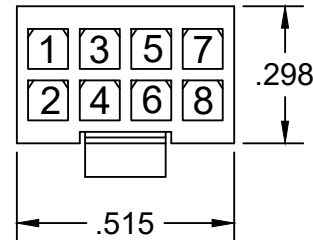
(TERMINAL INSERTION END SHOWN)



- 1: BLACK
- 2: RED
- 3: WHITE
- 4: GREEN
- 5: ORANGE
- 6: BLUE
- 7: BROWN
- 8: YELLOW



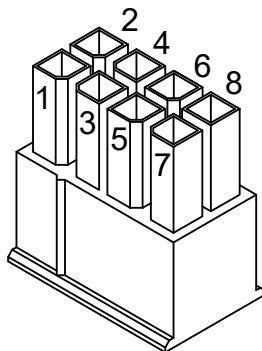
- 1: VIOLET
- 2: GREY
- 3: PINK
- 4: TAN



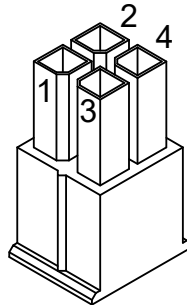
NOTE:
ABH CAN MATCH ANY MANUFACTURERS
WIRE COLOR POSITION

AVAILABLE ON

- STAINLESS STEEL CONTINUOUS HINGE
- ALUMINUM CONTINUOUS HINGES
- POWER TRANSFER UNITS
- PIVOTS
- ABH MORTISE LOCKS



8-PIN HOUSING
WIRE POSITION



4-PIN HOUSING
WIRE POSITION

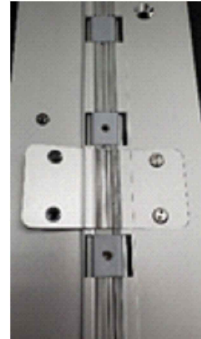
CONNECTORS COMPATIBLE WITH CONNECTORS
ON ASSA ABLOY PRODUCTS*

* BRAND NAMES ARE TRADEMARKS OR REGISTERED TRADEMARKS OF THEIR RESPECTIVE COMPANIES

EA THRU-WIRE REPLACEMENT INSTRUCTIONS

Removal of Old Wires

1. Turn off Power to avoid shock.
2. Remove (4) #6 Spanner Flat Head Screws from the covers on the face of each hinge leaf.



3. Remove (2) covers to expose the wires.



4. Pull wires through opening and disconnect from power source and electrified hardware.



EA THRU-WIRE REPLACEMENT INSTRUCTIONS

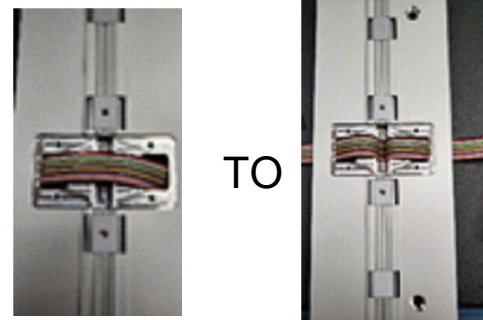
Installation of New Wire Ribbon

All wire connections must follow local codes and/or ABH Manufacturing's Minimum Requirements to ensure proper and lasting connections**

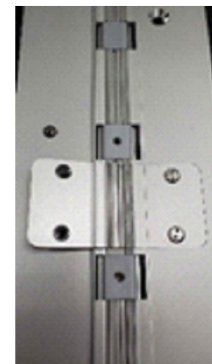
****ABH requires the use of wire nuts and electrical tape or Crimp Connectors when connecting wires to their source or supplied EZ Connectors**

1. Connect wire to the power source (FRAME SIDE) and pass wires back through hinge and frame opening.
2. Connect wires on DOOR side to electrified hardware and pass wires back through the hinge and door opening.

3. Excess Wire Ribbon should then be folded into the void of the cap.



4. Once wires are properly connected, line up the Thru-Wire Face plate gears and fasten with (4) #6 Spanner Flat Head Screws, making sure the plates sit flush to the face of the hinge leaves.



5. Turn Power back on