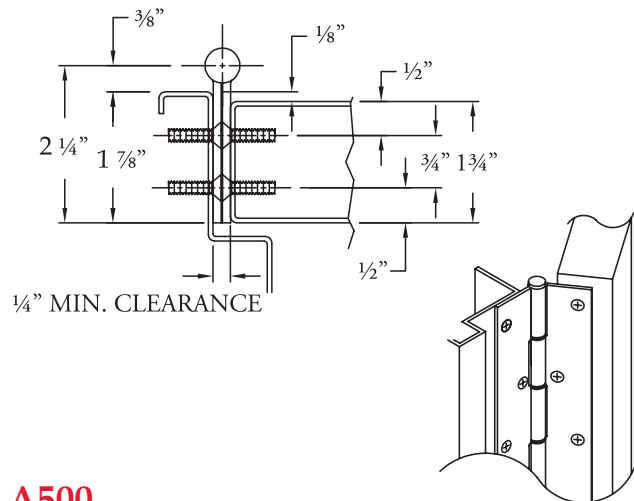


Full Concealed



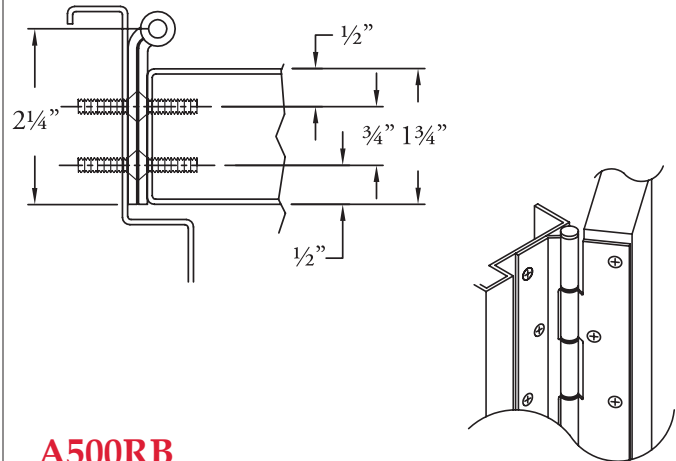
A500

Standard Features

- Full concealed, heavy duty
- 1/8" door inset
- 48" door width maximum
- 600 lbs. door weight maximum
- **Fasteners:** 10-24 x 7/8" undercut, self-drilling, thread-forming tek machine screws, stainless steel and #10 x 1-1/4" undercut wood screws, stainless steel
- **Lengths:** 78-3/4", 83-1/8", 85", 95" and 118-3/4"
- **Finishes:** US32D Satin Stainless Steel or US32 Bright Stainless Steel
- **Fire Rating** - tested and certified by UL[®] (U.S.A. and Canada) on 4'0" x 10'0" fire rated doors, based on the following
 - 20 minutes - wood doors
 - 90 minutes - hollow metal and composite core wood fire doors
 - 3 hours - hollow metal doors

Options Available

- See pages G-6 to G-7 for modification availability and details



A500RB

Standard Features

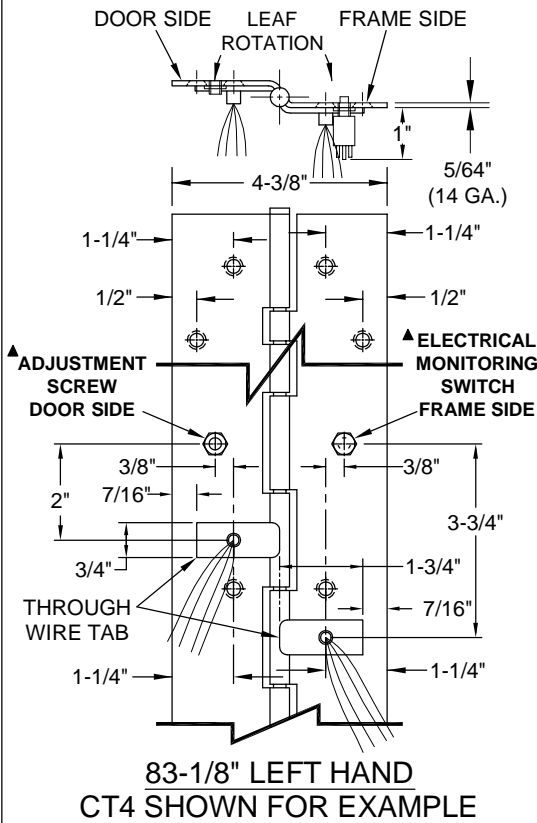
- Raised barrel (swaged) for door set back in deep reveals
- Full concealed, heavy duty
- 48" door width maximum
- 600 lbs. door weight maximum
- **Fasteners:** 10-24 x 7/8" undercut, self-drilling, thread-forming tek machine screws, stainless steel and #10 x 1-1/4" undercut wood screws, stainless steel
- **Lengths:** 78-3/4", 83-1/8", 85", 95" and 118-3/4"
- **Finishes:** US32D Satin Stainless Steel or US32 Bright Stainless Steel
- **Fire Rating** - tested and certified by UL[®] (U.S.A. and Canada) on 4'0" x 10'0" doors, based on the following
 - 20 minutes - wood doors
 - 90 minutes - hollow metal and composite core wood fire doors
 - 3 hours - hollow metal doors

Options Available

- See pages G-6 to G-7 for modification availability and details



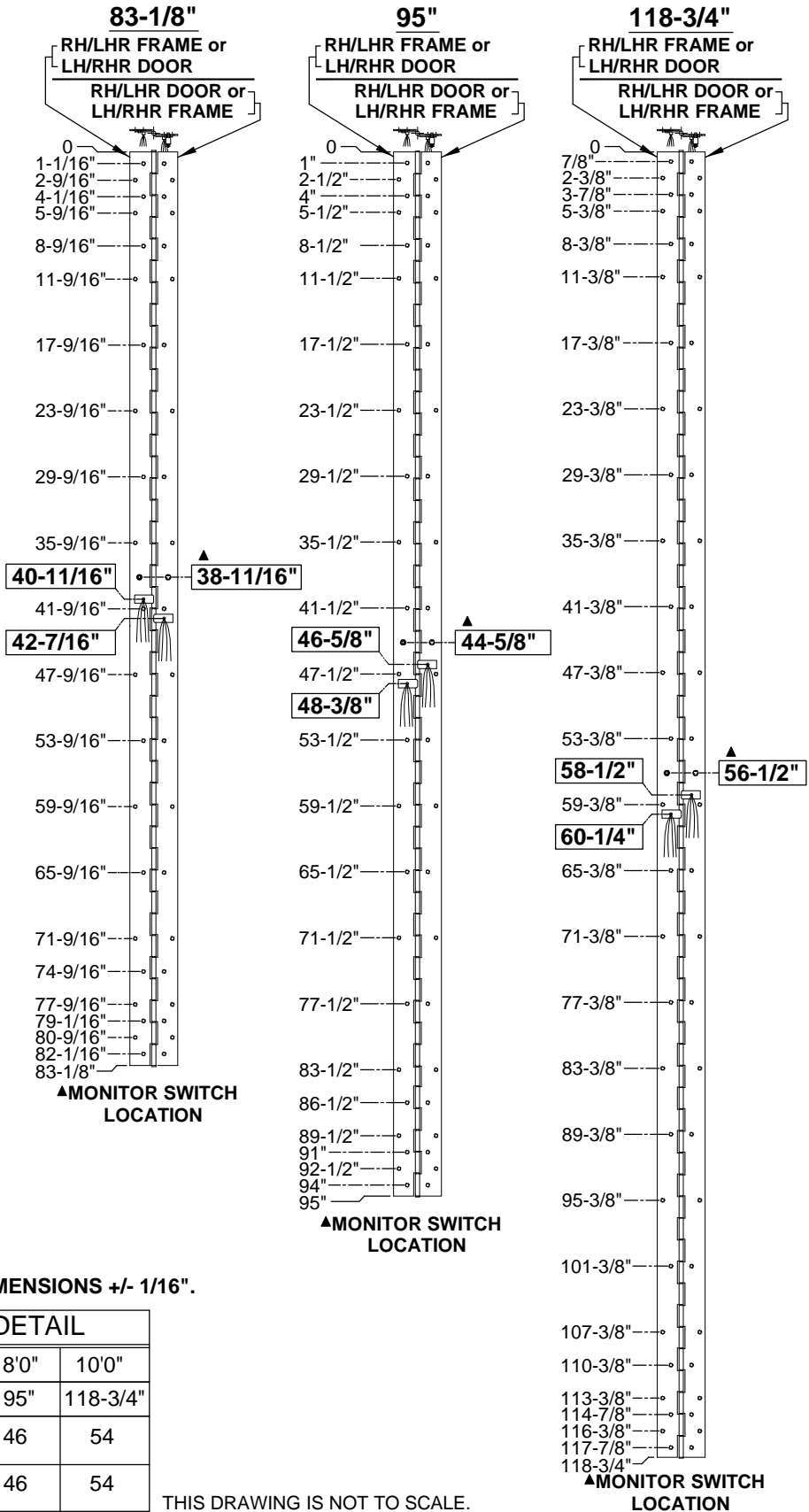
A500RB - "CT" OPTION, RAISED BARREL, THRU WIRE & MONITOR SWITCH, FULL CONCEALED, EDGE MOUNT, STAINLESS STEEL HINGE



NOTES:

1. HINGES CUT TO CUSTOM LENGTH ARE CUT FROM BOTTOM OF HINGE.
2. SPECIFY HANDING WHEN ORDERING.
3. SPECIFY WIRE CONFIGURATION WHEN ORDERING, TEMPLATE REMAINS THE SAME.
 - CT4 • CT4 x EZ *
 - CT8 • CT8 x EZ *
 - CT12 • CT12 x EZ *
- * SPECIFY ELECTRIFIED HARDWARE MANUFACTURER FOR CONNECTOR COMPATIBILITY
4. IF "M" OPTION (MOVEABLE PANEL) IS CHOSEN, TEMPLATE REMAINS THE SAME.
5. 30 AWG WIRES, APPROX. 4" LONG PER SIDE, RATED 2 AMP CONTINUOUS LOW VOLTAGE.
6. THRU WIRE & MONITOR SWITCH LOCATION DIMENSIONS +/- 1/16".

STANDARD HINGE SIZES & SCREW DETAIL			
NOMINAL DOOR HEIGHT	7'0"	8'0"	10'0"
ACTUAL HINGE HEIGHT	83-1/8"	95"	118-3/4"
10-24 x 7/8" PHILLIPS FLAT HEAD, UNDERCUT, SELF-DRILLING MACHINE SCREW	42	46	54
#10 x 1-1/4" PHILLIPS FLAT HEAD, UNDERCUT, SHEET METAL SCREW	42	46	54



THIS DRAWING IS NOT TO SCALE.

A500RB-CT OPTION, THRU WIRE & MONITOR SWITCH-1-00.DWG

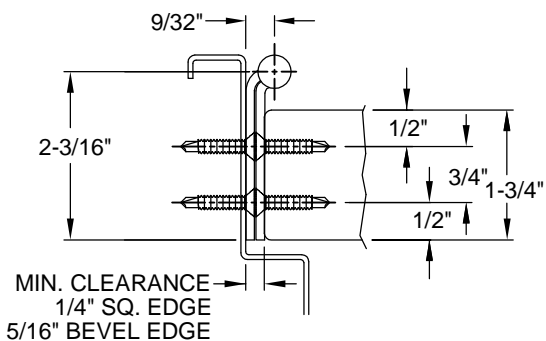


www.abhmf.com
 E-mail: abhinfo@abhmf.com
 Architectural Builders Hardware Mfg., Inc.
 1222 Ardmore Ave., Itasca, IL 60143
 630.875.9900; FAX 800.9FAXABH (932.9224)

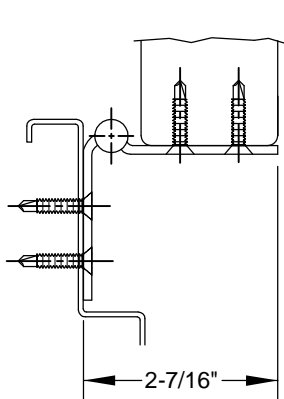
A500RB - "CT" OPTION THRU WIRE & MONITOR SWITCH

© 2016 ABH Mfg., Inc. printed in USA

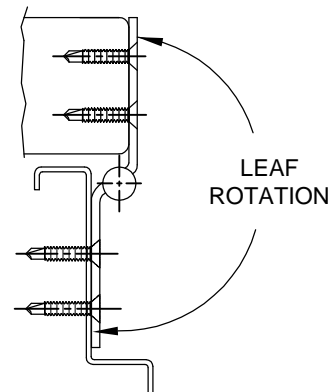
A500RB - "CT" OPTION, RAISED BARREL, THRU WIRE & MONITOR SWITCH, FULL CONCEALED, EDGE MOUNT, STAINLESS STEEL HINGE



CLOSED POSITION
(WIRES NOT SHOWN)

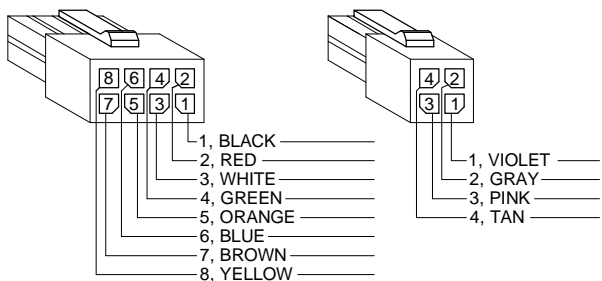


90° OPEN POSITION
(WIRES NOT SHOWN)

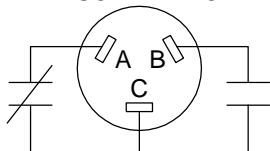


180° OPEN POSITION
(WIRES NOT SHOWN)

EZ CONNECT OPTION



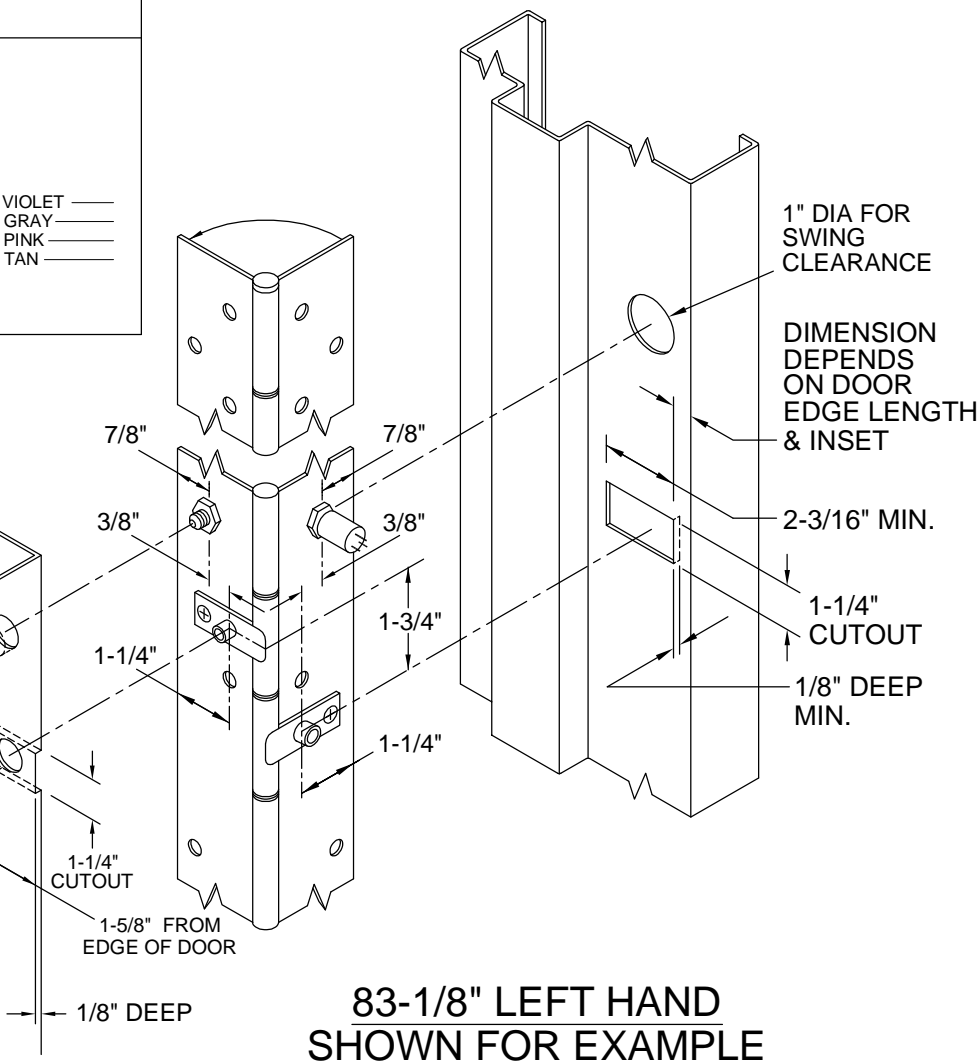
SWITCH SCHEMATIC



A & C = NORMALLY CLOSED
B & C = NORMALLY OPEN

DRILL 5/8" DIA.
x 3/8" DEEP
CLEARANCE
FOR
WOOD DOORS

DRILL 1/2" DIA.
FOR WIRE
CLEARANCE
FOR WOOD DOORS



**83-1/8" LEFT HAND
SHOWN FOR EXAMPLE**

A500RB-CT OPTION, THRU WIRE & MONITOR SWITCH-2-00.DWG



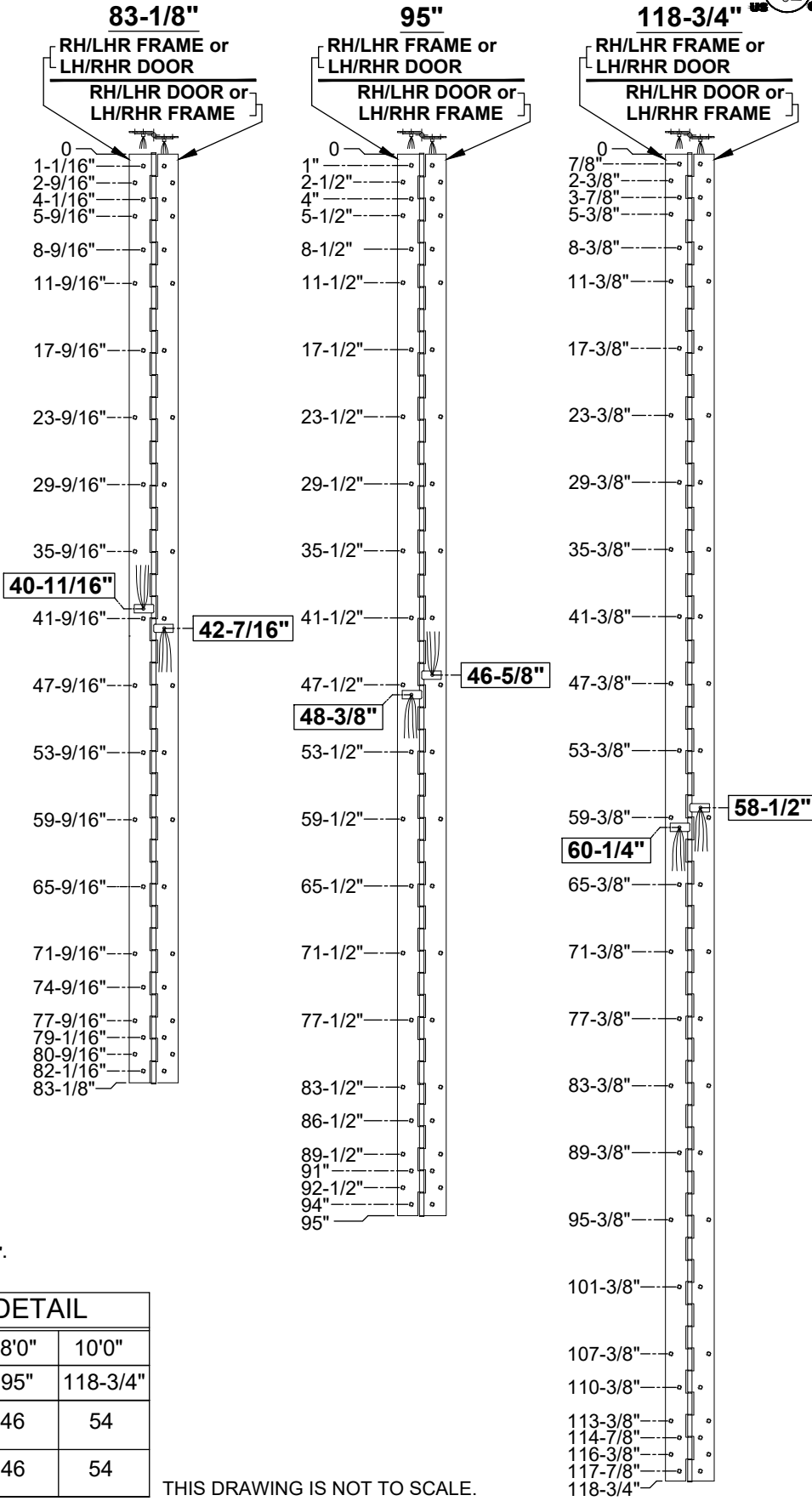
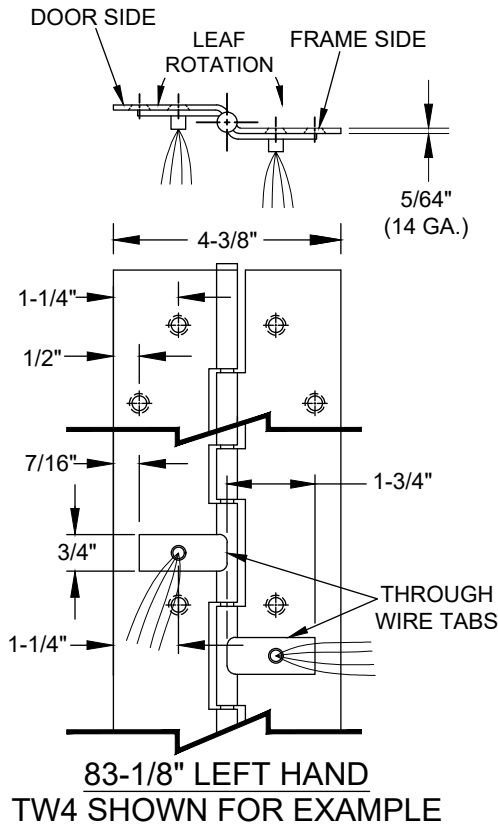
® www.abhmfg.com
E-mail: abhinfo@abhmfg.com
Architectural Builders Hardware Mfg., Inc.
1222 Ardmore Ave., Itasca, IL 60143
630.875.9900; FAX 800.9FAXABH (932.9224)

**A500RB - "CT" OPTION
THRU WIRE & MONITOR SWITCH**

© 2016 ABH Mfg., Inc.
printed in USA

PAGE 2 OF 2
ISSUED 04-20-16

A500RB - "TW" or "EZ" OPTION, RAISED BARREL, CONCEALED ELECTRIFICATION, FULL CONCEALED, EDGE MOUNT, STAINLESS STEEL HINGE



- NOTES:**
- HINGE INSTALLED FLUSH TO THE TOP OF THE DOOR.
 - FRAME LOCATION WILL BE THE CLEARANCE BETWEEN BOTTOM OF HEADER & TOP OF DOOR + THE HINGE DIMENSION.
 - HINGES CUT TO CUSTOM LENGTH ARE CUT FROM BOTTOM OF HINGE.
 - SPECIFY HANDING WHEN ORDERING.
 - SPECIFY WIRE CONFIGURATION WHEN ORDERING, TEMPLATE REMAINS THE SAME.
 - CT4 • CT4 x EZ *
 - CT8 • CT8 x EZ *
 - CT12 • CT12 x EZ *
 - * SPECIFY ELECTRIFIED HARDWARE MANUFACTURER FOR CONNECTOR COMPATILITY
 6. IF "M" OPTION (MOVEABLE PANEL) IS CHOSEN, TEMPLATE REMAINS THE SAME.
 7. 30 AWG WIRES, APPROX. 4" LONG PER SIDE, RATED 2 AMP CONTINUOUS LOW VOLTAGE.
 8. THRU WIRE & MONITOR SWITCH LOCATION DIMENSIONS +/- 1/16".

STANDARD HINGE SIZES & SCREW DETAIL			
NOMINAL DOOR HEIGHT	7'0"	8'0"	10'0"
ACTUAL HINGE HEIGHT	83-1/8"	95"	118-3/4"
10-24 x 7/8" PHILLIPS FLAT HEAD, UNDERCUT, SELF-DRILLING MACHINE SCREW	42	46	54
#10 x 1-1/4" PHILLIPS FLAT HEAD, UNDERCUT, SHEET METAL SCREW	42	46	54

THIS DRAWING IS NOT TO SCALE.

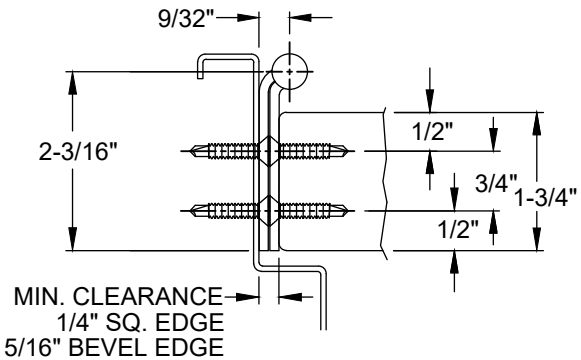
A500RB-TW or EZ OPTION, CONCEALED ELECTRIFICATION-1-01.DWG



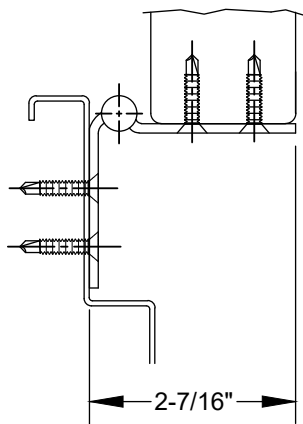
www.abhmfg.com
 E-mail: abhinfo@abhmfg.com
 Architectural Builders Hardware Mfg., Inc.
 1222 Ardmore Ave., Itasca, IL 60143
 630.875.9900; FAX 800.9FAXABH (932.9224)

A500RB - "TW" or "EZ" OPTION
 CONCEALED ELECTRIFICATION

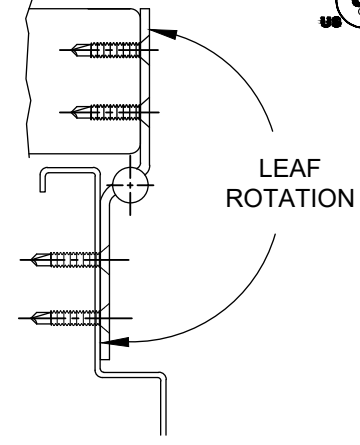
A500RB - "TW" or "EZ" OPTION, RAISED BARREL, CONCEALED ELECTRIFICATION, FULL CONCEALED, EDGE MOUNT, STAINLESS STEEL HINGE



CLOSED POSITION
(WIRES NOT SHOWN)

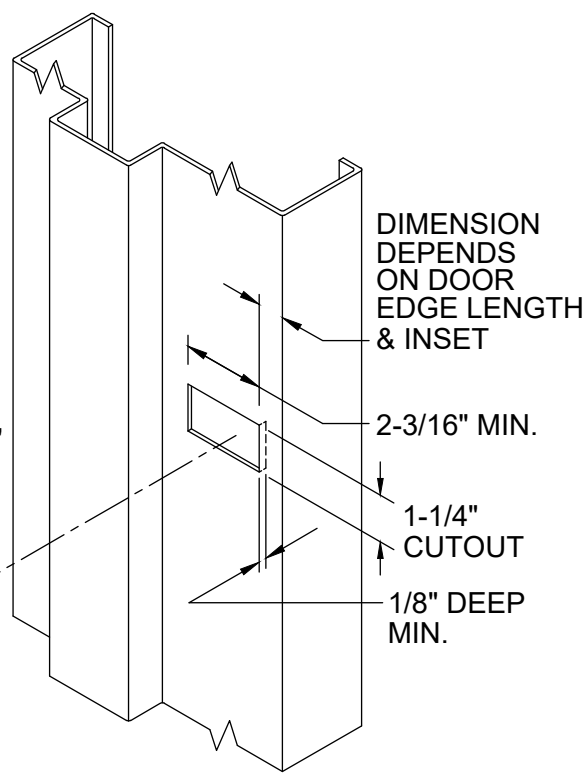
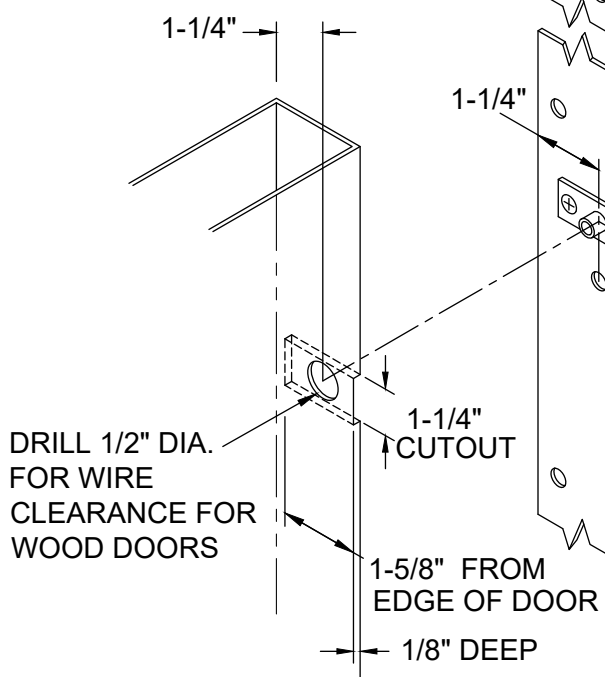
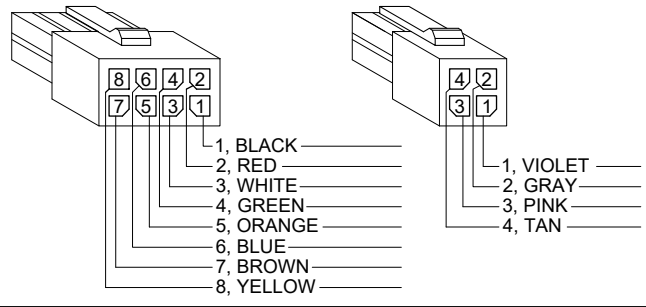


90° OPEN POSITION
(WIRES NOT SHOWN)



180° OPEN POSITION
(WIRES NOT SHOWN)

EZ CONNECT OPTION



83-1/8" LEFT HAND
SHOWN FOR EXAMPLE

A500RB-TW or EZ OPTION, CONCEALED ELECTRIFICATION-2-01.DWG



www.abhmfg.com
E-mail: abhinfo@abhmfg.com
Architectural Builders Hardware Mfg., Inc.
1222 Ardmore Ave., Itasca, IL 60143
630.875.9900; FAX 800.9FAXABH (932.9224)

A500RB - "TW" or "EZ" OPTION
CONCEALED ELECTRIFICATION

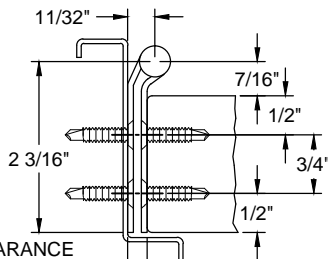
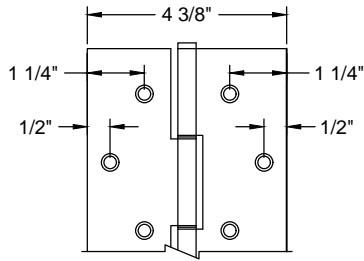
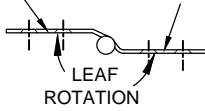
© 2022 ABH Mfg., Inc.
printed in USA

PAGE 2 OF 2
ISSUED 01-17-22

A500RB - STAINLESS STEEL HINGE, FULL CONCEALED, RAISED BARREL

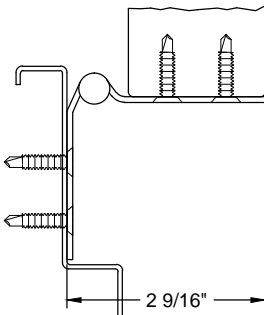


FRAME SIDE DOOR SIDE

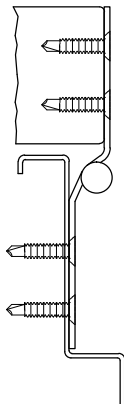


MIN. CLEARANCE
1/4" SQ. EDGE
5/16" BEVELED EDGE

CLOSED POSITION



90° OPEN POSITION



180° OPEN POSITION

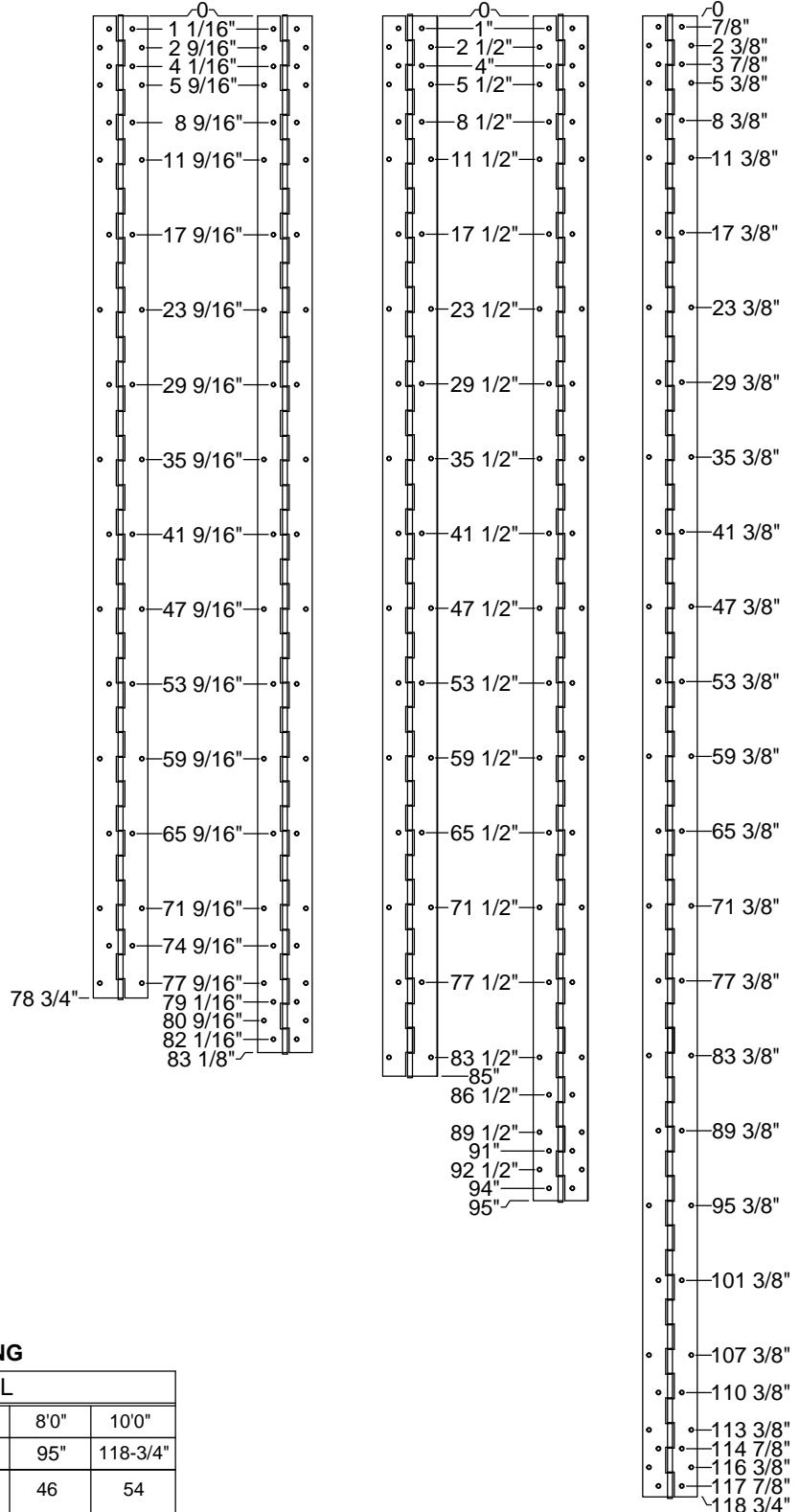
78-3/4"
(HANDING REQUIRED)

83-1/8"
(HANDING REQUIRED)

85"
(HANDING REQUIRED)

95"

118-3/4"



NOTE: HINGES CUT TO CUSTOM LENGTH ARE CUT FROM THE BOTTOM - PLEASE SPECIFY HANDING

STANDARD HINGE SIZES & SCREW DETAIL					
NOMINAL DOOR HEIGHT	6'8"	7'0"	7'2"	8'0"	10'0"
ACTUAL HINGE HEIGHT	78-3/4"	83-1/8"	85"	95"	118-3/4"
10-24 x 7/8" PHILLIPS FLAT HEAD, UNDERCUT, SELF-DRILLING, TEK MACHINE SCREW	42	42	42	46	54
#10 x 1-1/4" PHILLIPS FLAT HEAD, UNDERCUT, SHEET METAL SCREW	42	42	42	46	54

NOTE: THIS DRAWING IS NOT TO SCALE.



www.abhmfg.com
E-mail: abhinfo@abhmfg.com
Architectural Builders Hardware Mfg., Inc.
1222 Ardmore Ave., Itasca, IL 60143
630.875.9900; FAX 800.9FAXABH (932.9224)

©2016 ABH Mfg., Inc.
printed in USA

A500RB-STAINLESS STEEL HINGE-02.DWG

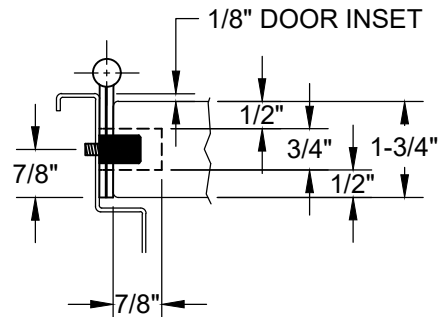
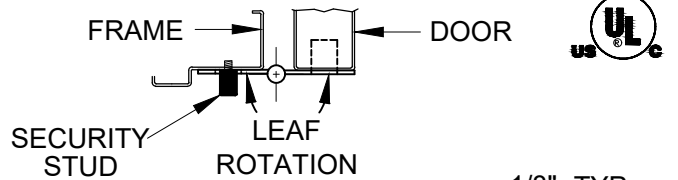
A500RB
STAINLESS STEEL HINGE

PAGE 1 OF 1
ISSUED 12-23-16

SECURITY "STUD" FOR FULL CONCEALED STAINLESS STEEL HINGES 14 & 12 GA.



DIMENSION					
"A" HINGE LENGTH	78-3/4"	83-1/8"	85"	95"	118-3/4"
"B"	14-1/2"	14-1/2"	14-1/2"	14-1/2"	14-1/2"
"C"	39-3/8"	38"	32-1/2"	32-1/2"	44-1/2"
"D"	64-1/4"	68-5/8"	62-1/2"	62-1/2"	74-1/4"
"E"	-----	-----	80-1/2"	80-1/2"	104-1/4"

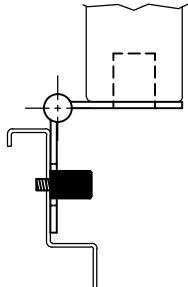


7/8" FROM CENTER OF HOLE TO EDGE OF HINGE

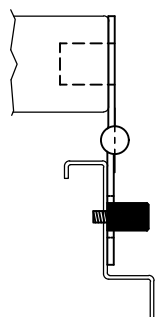
DRILL & TAP IN FRAME 12-24

DRILL 3/4" DIA. HOLE IN DOOR

CLOSED POSITION
(A500 HINGE & STUD SHOWN, FOR EXAMPLE)

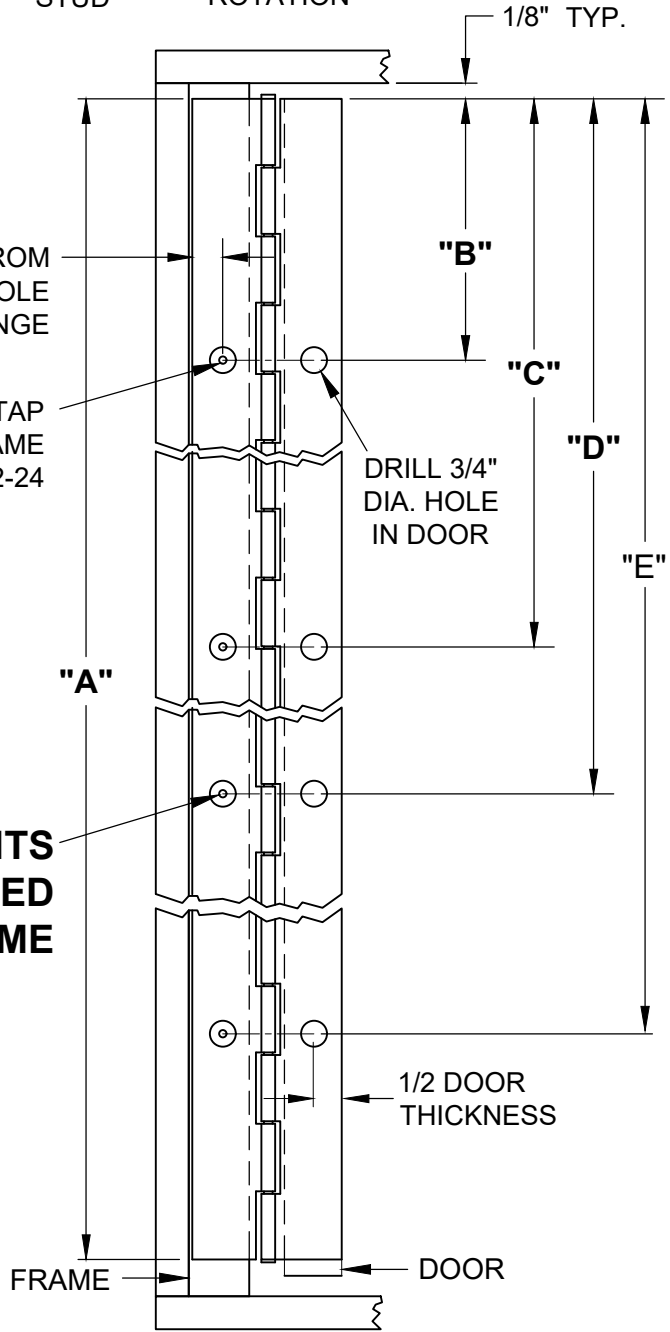


90° OPEN POSITION
(A500 HINGE & STUD SHOWN, FOR EXAMPLE)



180° OPEN POSITION
(A500 HINGE & STUD SHOWN, FOR EXAMPLE)

FIRE STUD MOUNTS ONTO THE THREADED FRAME



FRONT VIEW
FOR SECURITY STUD LOCATION
MODEL A500 HINGE SHOWN FOR EXAMPLE

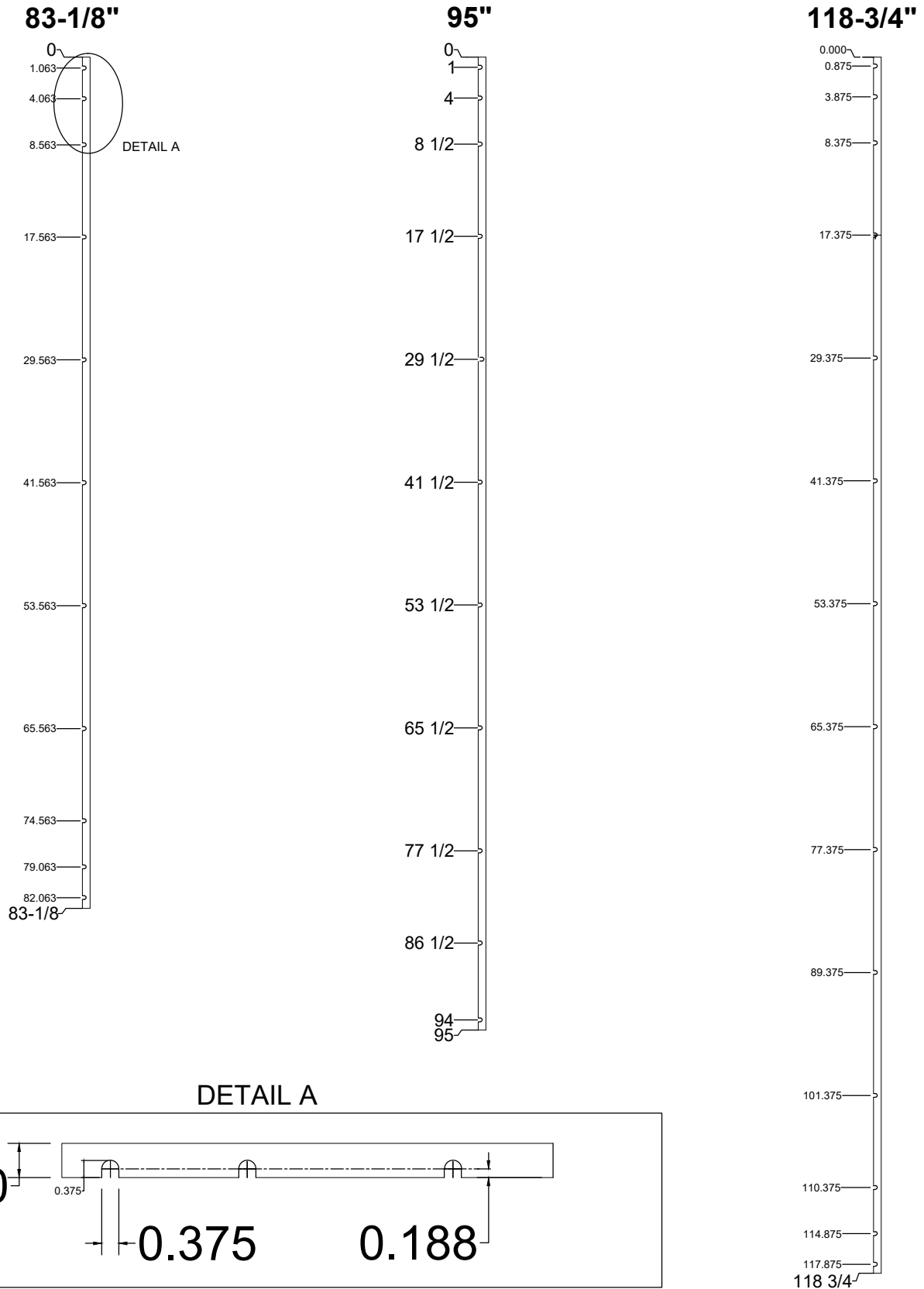
ALL HINGES ARE HANDED



www.abhmfg.com
E-mail: abhinfo@abhmfg.com
Architectural Builders Hardware Mfg., Inc.
1222 Ardmore Ave., Itasca, IL 60143
630.875.9900; FAX 800.9FAXABH (932.9224)

FC SECURITY STUD LOCATION SS-05.DWG
**FULL CONCEALED
SECURITY STUD
LOCATION INSTRUCTIONS**
© 2020 ABH Mfg., Inc.
printed in USA
ISSUED 10-21-20

CHS-1, SLIP-IN, 16GA. (1/16") STAINLESS STEEL SHIM



CHS-1-SLIP-IN SHIM-00.DWG



www.abhmfg.com
E-mail: abhinfo@abhmfg.com
Architectural Builders Hardware Mfg., Inc.
1222 Ardmore Ave., Itasca, IL 60143
630.875.9900; FAX 800.9FAXABH (932.9224)

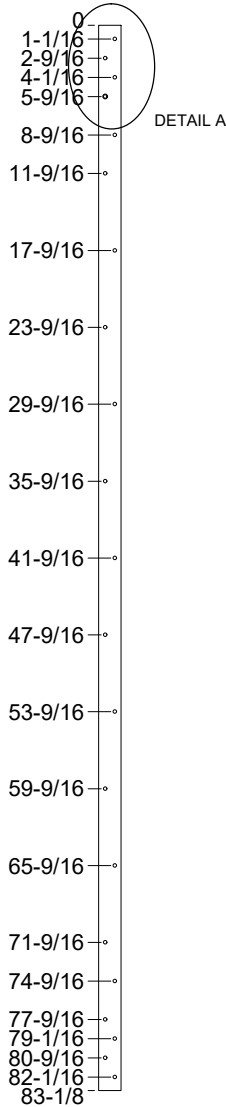
© 2020 ABH Mfg., Inc.
printed in USA

CHS-1
SLIP-IN SHIM

PAGE 1 OF 1
ISSUED 06-03-20

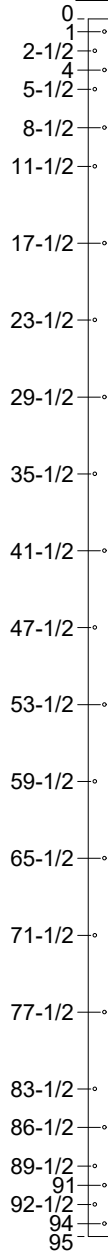
CHS-2, 16GA. STAINLESS STEEL SHIM

83-1/8"

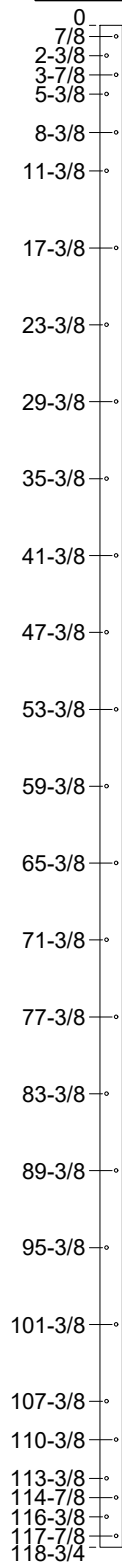


DETAIL A

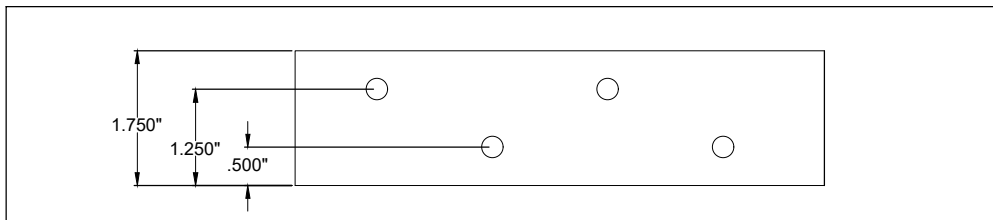
95"



118-3/4"



DETAIL A



MATERIAL: .063 STAINLESS STEEL



www.abhmfg.com
E-mail: abhinfo@abhmfg.com
Architectural Builders Hardware Mfg., Inc.
1222 Ardmore Ave., Itasca, IL 60143
630.875.9900; FAX 800.9FAXABH (932.9224)

© 2020 ABH Mfg., Inc.
printed in USA

CHS-2- SHIM-00.DWG

**CHS-2
SHIM**

PAGE 1 OF 1
ISSUED 08-03-20