

A501

Partition Door Full Surface Hinge

The ABH A501 Partition Door Stainless Steel Hinge is a Full Surface Hinge designed to be used in restrooms stalls or other similar applications. This hinge will keep the door open at 20° so the user knows there is nobody in the restroom stall and the hinge leaf's are angle cut so your door will close with the camming action.

Standard Features:

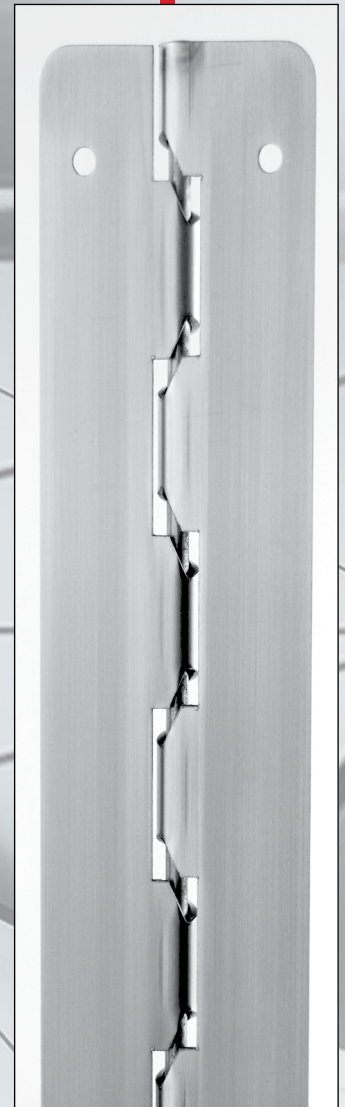
- Full Surface, Heavy Duty
- 12 Guage 304 Stainless Steel
- 20° Open Rest Position-Standard
- (3) Custom Stops Provided for 100° Opening
- 48" Door Width Maximum

Finishes:

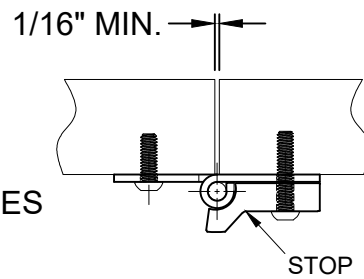
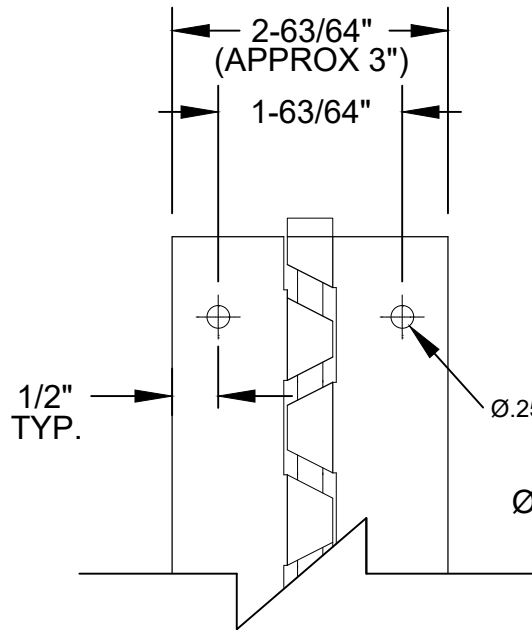
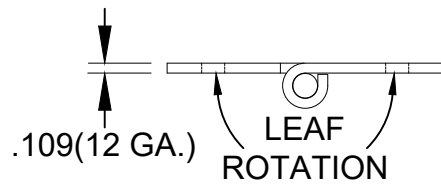
- US32D- Satin Stainless Steel
- Custom Powder Coating Available



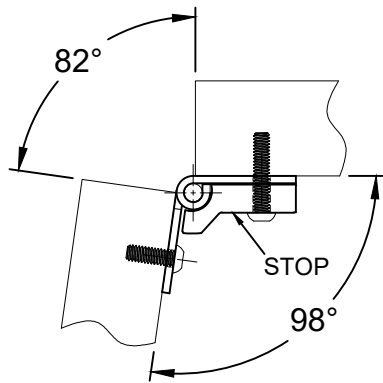
Add-on Stop



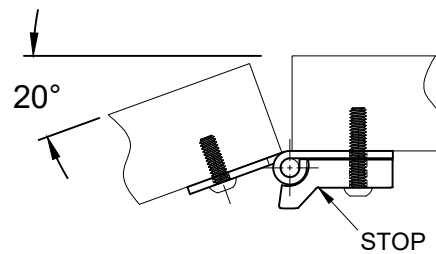
CUSTOM A501 - 57" FULL SURFACE CAM HINGE, STAINLESS STEEL



Full Closed Position
SURFACE MOUNT

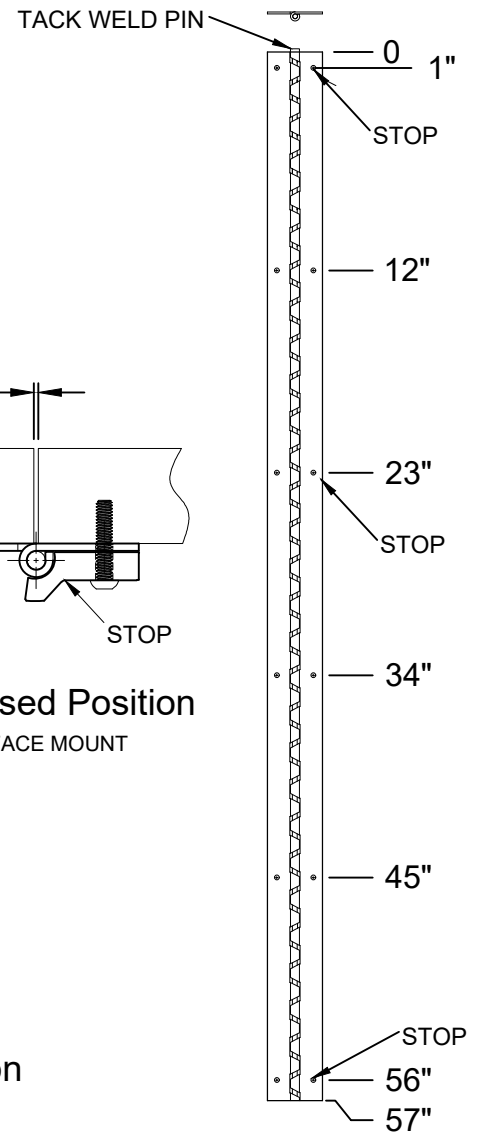


82° Full Open Position w/ Stops
SURFACE MOUNT



20° Open Rest Position
SURFACE MOUNT

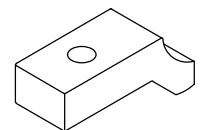
57"(4'-9")



NOTE :

1. (3) CUSTOM STOPS PROVIDED FOR 100° OPENING.
2. TACK WELDED PIN - NOT STAKED

SCREW DETAIL		
	QTY.	DESCRIPTION
HINGE	12	1/4-20x3/4" PAN HEAD MACHINE SCREW-PIN TORX
STOP	3	1/4-20x1-1/4" PAN HEAD MACHINE SCREW-PIN TORX



Stop

A501-57"-01.DWG



www.abhmfg.com
E-mail: abhinfo@abhmfg.com
Architectural Builders Hardware Mfg., Inc.
1222 Ardmore Ave., Itasca, IL 60143
630.875.9900; FAX 800.9FAXABH (932.9224)

© 2021 ABH Mfg., Inc.
printed in USA

A501-57"

ISSUED 4-8-21

STOP

