



### e-Elite 2000

#### *Motorized Cylindrical Lock Standalone Keypad*

Combines a modern look and extra heavy-duty design, the e-Elite Cylindrical Lock provides reliable security to protect your facility like a guard while giving attractive options to meet all your needs. The e-Elite 2000 is specially designed for multi-family, small to medium sized business applications. Ideal for office, staff lounges, storage closets, conference rooms, restrooms, and resident unit.

## Features and Benefits

- Extra heavy-duty lockset certified with ANSI/BHMA Grade 1 for extensive use in both interior and exterior working environment
- All metal keypad design for tactile requirements and ADA compliance
- Master Code- programs all User Codes, Service Codes, System Setting and opens the lock.
- User Code- are programmed by Master Code and used to operate the lock
- Service Code- allows one entry per code and deleted after used.
- Pin Code- 4-6 digits (Master Code and User Code must be the same length)
- Passage Mode- remain door actively unlocked until disabled by Master Code
- LED indicator located around the keypad of the lock and flashes green/red LED dependent on inputs
- Keypad sound adjustable
- 100 User Codes, 5 Service Codes capacity
- Programmable via keypad at the lock
- Other features noted in the Programming Manual

# Motorized Cylindrical Lock

## Mechanical Specifications

- Door Thickness: 1-3/4"
- Backset: 2-3/4" standard, 2-3/8", 5" optional
- Clutched or Rigid trim
- Latch Bolt: Stainless steel, deadlocking, 1/2" throw
- Faceplate: 1-1/8" x 2-1/4"
- Strike: ASA strike standard, 1-1/4" x 4-7/8"
- Escutcheon: Steel or zinc alloy
- Lever: Zinc or stainless steel

## Electronic Specifications

- Programmable at the lock
- Battery operated, no hard wiring required
- Low battery warning
- Standard 12-key illuminated touch keypad
- Non-volatile memory
- Weather resistant lock

## Cylinder Specifications

Key in lever option:

- **SC** Schlage® 6-pin with "C" Keyway, standard
- **K6** Kwikset® 6-pin with "KW" Keyway
- **HS6** High security 6-pin with Townsteel "L" Keyway
- **SF6** Best® 6-pin, IC core with "A" Keyway
- **SF7** Best® 7-pin, IC core with "A" Keyway
- **HS7** High security 7-pin, IC core with Townsteel "L" Keyway

Less cylinder core option:

- **SF** Schlage® small format IC, SFIC
- **SLF** Schlage® large format IC, SLFIC
- **CLF** Corbin® large format IC, CLFIC

## Warranty

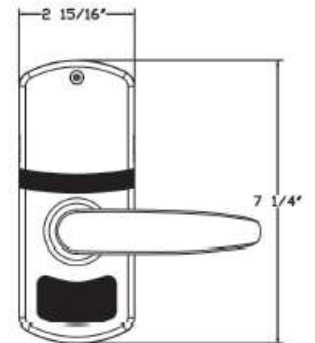
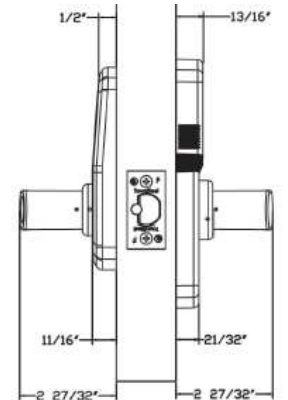
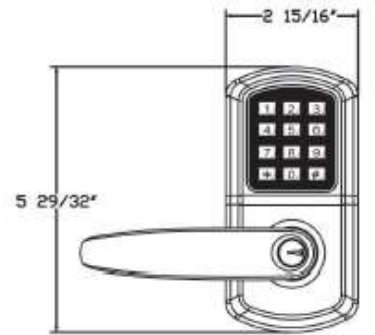
- 2-year limited for electronic
- 10-year limited for mechanical

## Available Lever Styles to Choose

- Gala (G)
- Quest (Q)
- Sentinel (S)

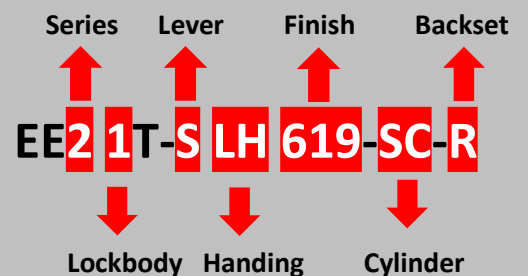
## Finishes

- 619: US15, Satin Nickel
  - 622: US19, Flat Black
  - 626: US26D, Satin Chrome
- Or special color upon request



## How to Order

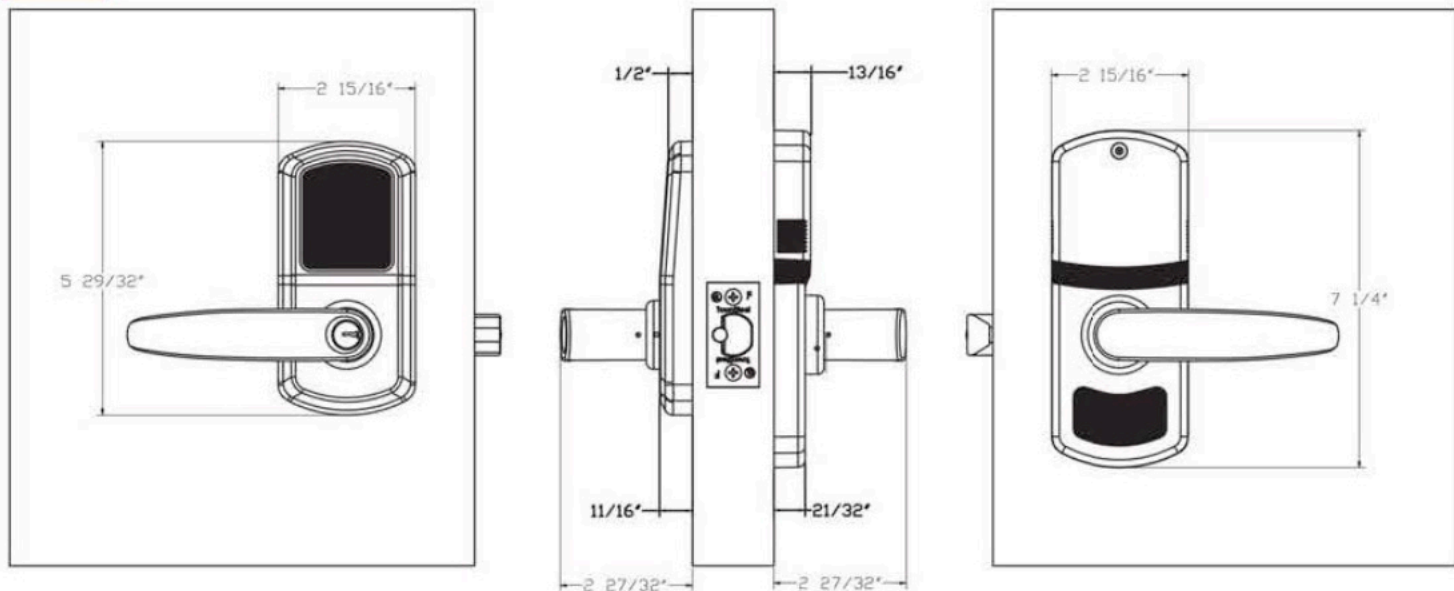
Series	2: e-Elite 2000; 4: e-Elite 4000
Lockbody	1: Rigid / 2: Clutched
Lever Style	S: Sentinel / Q: Quest / G: Gala
Handing	RH / LH / RHR / LHR
Finish	619: US15, Satin Nickel / 622: US19, Flat Black 626: US26D, Satin Chrome / Or special color upon request
Cylinder	SC / K6 / HS6 / SF6 / SF7 / HS7 / SF / SLF / CLF *KD standard, KA, MK, GMK, GGK upon request
Backset	Blank: 2-3/4" / R: 2-3/8" / E: 5"



# e-Elite Series



## Profile



## How To Order

<b>Series</b>	e-Elite
<b>Lockbody</b>	1: Rigid / 2: Clutch
<b>Lever Style</b>	S: Sentinel / Q: Quest / G: Gala
<b>Finish</b>	SN: US15, Satin Nickel / FB: US19, Flat Black SC: US26D, Satin Chrome Or special color upon request
<b>Cylinder</b>	SC(KIK 6 pin) / SFIC6 / SFIC7 / CLFIC6 / SLFIC / HS

Lever                      Cylinder  
 ↑                              ↑  
**EE61T-SLHSN-SFIC7**  
 ↓                              ↓  
 Lockbody                  Finish