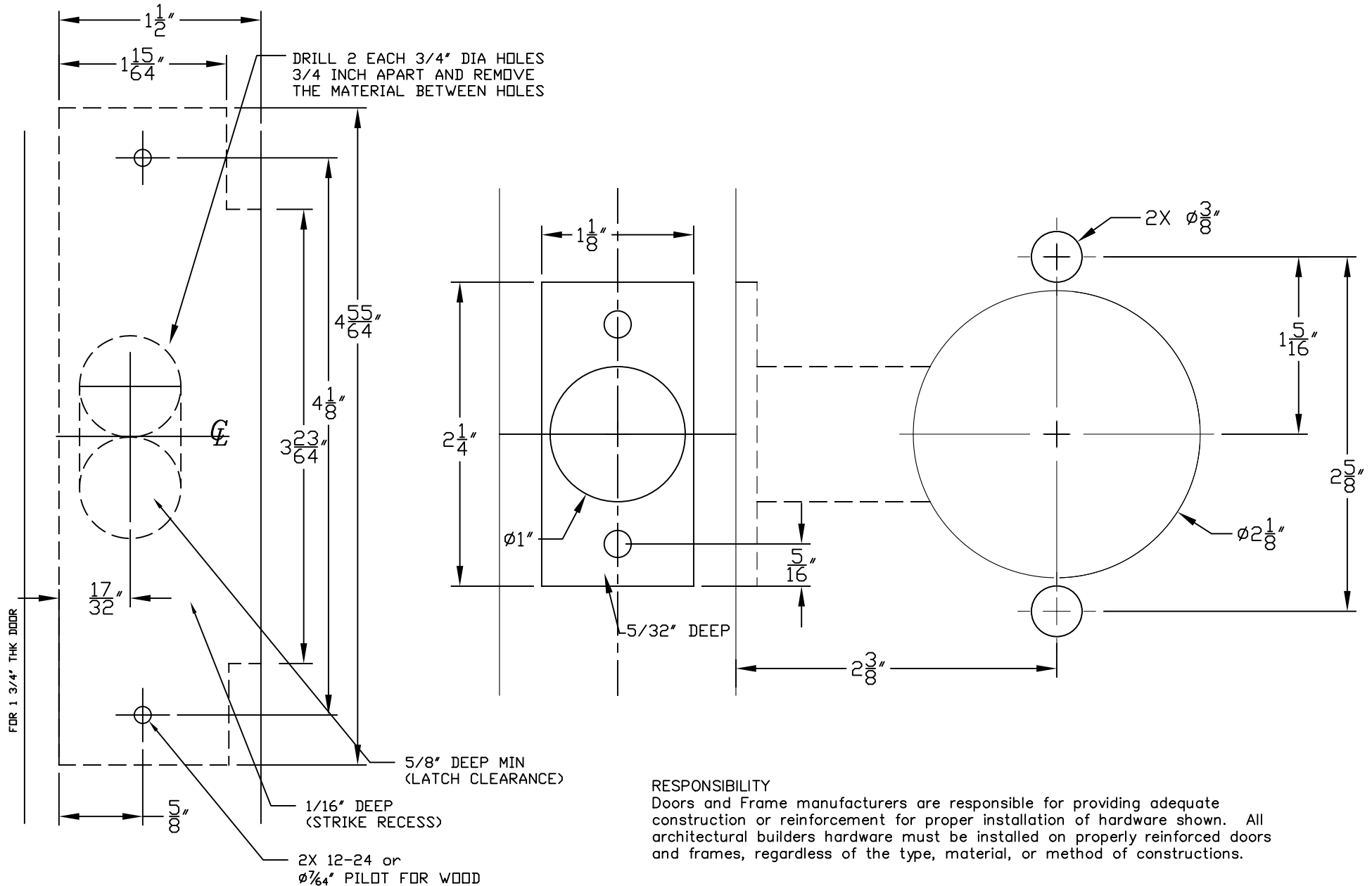


TEMPLATE FOR e-Elite (2 3/8" BACKSET) SERIES CYLINDRICAL LOCKS



RESPONSIBILITY

Doors and Frame manufacturers are responsible for providing adequate construction or reinforcement for proper installation of hardware shown. All architectural builders hardware must be installed on properly reinforced doors and frames, regardless of the type, material, or method of constructions.

TEMPLATE FOR e-Elite SERIES ELECTRONIC CYLINDRICAL LOCKS

