

e-Genius

Electronic Interconnect Lock

★ US PATENTED



4" Entry lock with turn button shown

Mechanical Specifications

- Door Thickness: 1-3/4"
- Backset: 2-3/8" - 2-3/4" adjustable
- Clutched trim
- Latch Bolt: 1/2" throw stainless steel deadlocking
- Deadbolt: 1" stainless steel deadbolt
- Faceplates: 1" x 2-1/4" or 1-1/8" x 2-1/4"
- Latch Strike: Full lip with radius corners
- Deadbolt Strike: 1-1/8" x 2-3/4" radius corners with security underplate
- 4" or 5-1/2" deadbolt center to latchbolt center distance available
- Available Storeroom Function (always locked) or Entry Function (with Toggle passage)
- Multiple credentials available such as keypad, RFID and BLE. Offline or online, stand-alone or Maxx Access system

Available Lever Styles



Sentinel (S)



Quest (Q)



Wolfsburg(W)



Wolfsburg R(WR)

e-Genius

Electronic Interconnect lock with a unique and patented design

A commercial grade Interconnect Lock that offers the safety and convenience of simultaneous retraction of the latchbolt and deadbolt during entry or egress. Extending the deadbolt is done by simply lifting the inside or outside lever, no key required to securely lock your door.



- ▶ Latchbolt can always be locked, so that when shutting the door, it is automatically locked. Deadbolt is extended for added security by lifting the outside lever.



A unique, secure and stylish interconnect lock that can retract the deadbolt and latchbolt in a single motion not only from the inside but from the outside as well.



- ▶ Clutching lever design: When locked, the outside lever can be rotate but will not retract the latchbolt or deadbolt.



▶ One unique feature is that the deadbolt can be extended by simply lifting the inside or outside lever.



When thumb-turn is tilting toward the door jamb, it indicates the deadbolt is extended for added security.



▶ Inside lever will simultaneously retract the latchbolt and deadbolt **to comply with single motion egress fire code**.

Outside lever, when unlocked, will simultaneously retract the latchbolt and deadbolt for easy entry.



Optional inside turn (Toggle Function) will allow the user to toggle between locked or unlocked on the outside lever.

Turn button on inside lever
(Toggle Function)



Outside lever
locked position



Outside lever
unlocked position

e-Genius 2000

KEY PAD ONLY



e-Genius 4000

RFID



e-Genius 5000

BLE or WIFI



e-Genius 6000

MAXX ACCESS

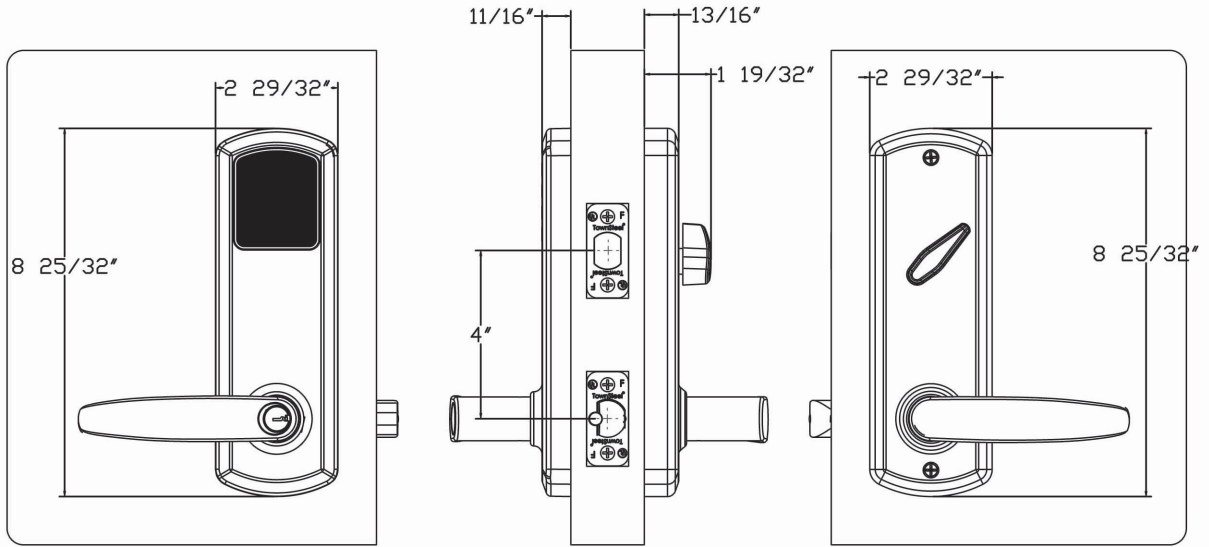


e-Genius Series

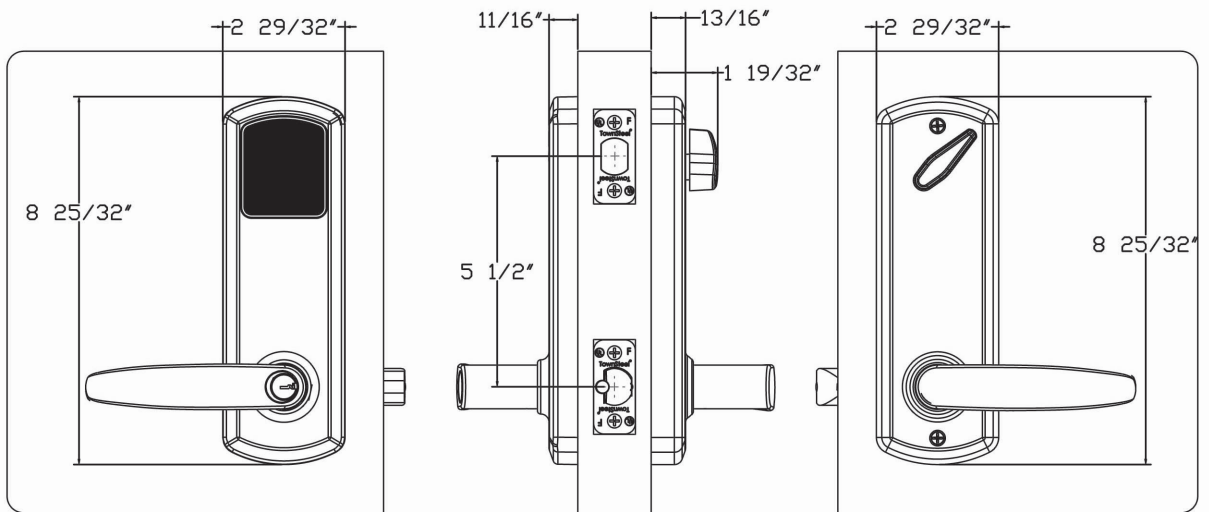
Electronic Interconnect Lock (available in 4" or 5 1/2" spacing)



4"
(40 lockbody)



5 1/2"
(55 lockbody)



How To Order

Series	e-Genius	Model Number	<u>2</u> : Keypad
Function	S: Storeroom / T: Entry (Toggle Function)		<u>4</u> : RFID + Keypad
Lever Style	S: Sentinel / Q: Quest / W: Wolfsburg / WR: Wolfsburg R		<u>5B</u> : RFID + Keypad + BLE
Handing	RH / LH / RHR / LHR		<u>5R</u> : RFID + Keypad + RF
Lockbody	40: 4" / 55: 5-1/2"		<u>6</u> : RFID + MAXX ACCESS
Faceplates	N: 1" x 2-1/4" / W: 1-1/8" x 2-1/4"		
Finish	619: US15, Satin Nickel / 622: US19, Flat Black 626: US26D, Satin Chrome / Or special color upon request		
Cylinder	<p>SC- 6 pin Schlage® C keyway, standard KW10- Kwikset® 6 pin (please specify)</p> <p>Cylinders below are available by special order</p> <p>SF- Small format IC (SFIC) without core SF6 or SF7- Best® IC core, 6 or 7 pin Best® "A" keyway SLF- Schlage® large format IC less core CLF- Corbin® 6 pin large format IC less core L6- High security 6 pin cylinder with TownSteel® "L" keyway L7- High security 7 pin cylinder with TownSteel® "L" keyway</p>		
			<p>Example:</p> <p>Model Number Lever Finish Faceplates</p> <p>EG 6 T T - S LH 626 - 55 W SC</p> <p>Function Handing Lockbody Cylinder</p>