

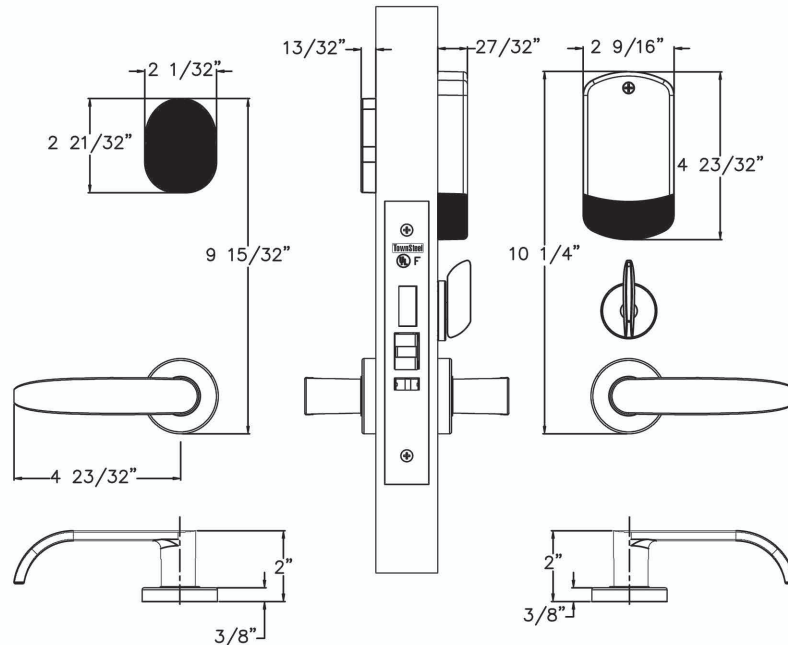
# e-TRIDENT 1A Series



ANSI Grade 1



## Profile



### How To Order

Series	e-Trident 1A
Lockbody	R: Rigid / C: Clutched / X: Automatic Deadbolt Series
Lever Style	S: Sentinel / Q: Quest / Or see TownSteel Catalog
Finish	622: US19, Flat Black / 626: US26D, Satin Chrome Or special color upon request
Cylinder	N/A

Lever  
↑  
**ETR1A6 R - S L H 626**  
↓                      ↓  
Lockbody              Finish

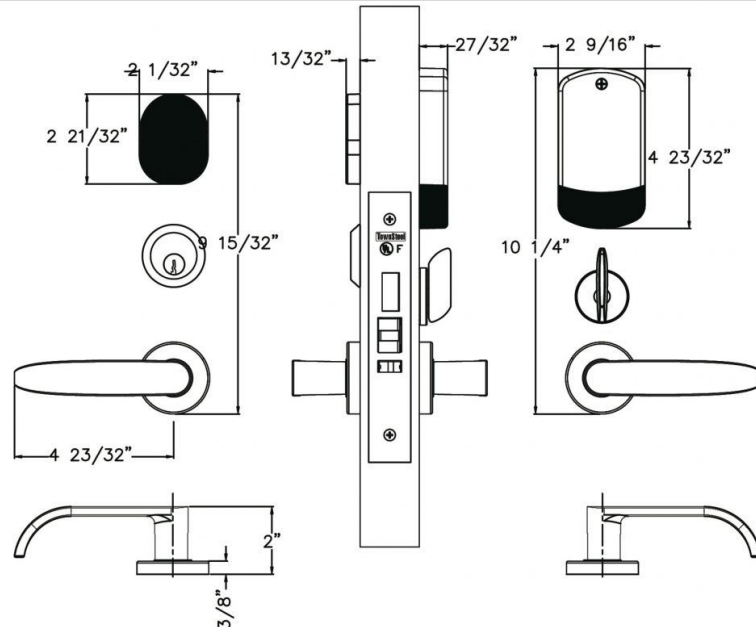
# e-TRIDENT 1B Series



ANSI Grade 1



## Profile



### How To Order

Series	e-Trident 1B
Lockbody	R: Rigid / C: Clutch / X: Automatic Deadbolt Series
Lever Style	S: Sentinel / Q: Quest / Or see TownSteel Catalog
Finish	FB: US19, Flat Black / SC: US26D, Satin Chrome Or special color upon request
Cylinder	Any mortise cylinder can be used

Lever                      Cylinder  
 ↑                              ↑  
**ETR1B6R-SLHSC-SFIC7**  
 ↓                              ↓  
 Lockbody                  Finish

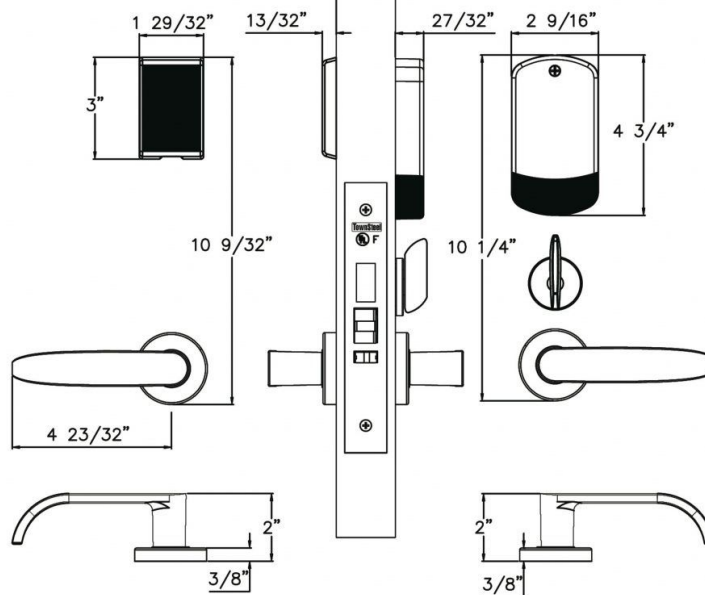
# e-TRIDENT 2A Series



ANSI Grade 1



## Profile



### How To Order

Series	e-Trident 2A
Lockbody	R: Rigid / C: Clutch / X: Automatic Deadbolt Series
Lever Style	Sentinel / Quest / Or see TownSteel Catalog
Finish	FB: US19, Flat Black / SC: US26D, Satin Chrome Or special color upon request
Cylinder	N/A

Lever  
  
**ETR2A6R-SLHSC**  
 Lockbody      Finish

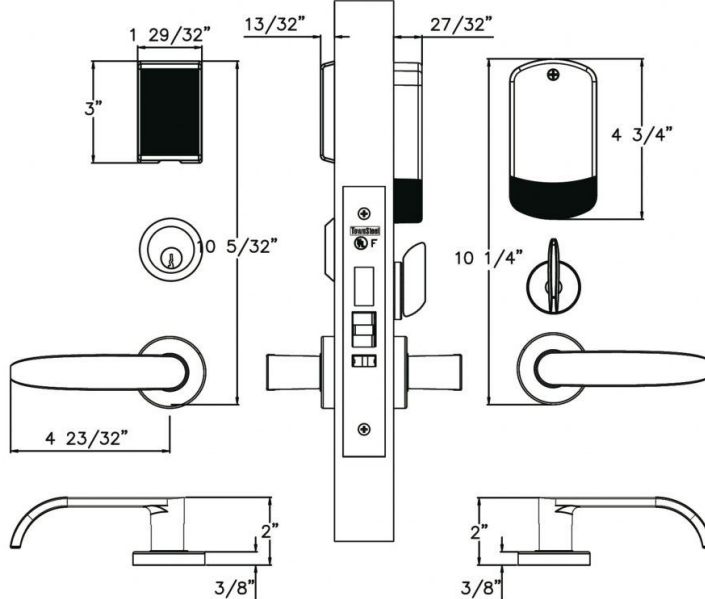
# e-TRIDENT 2B Series



ANSI Grade 1



## Profile



## How To Order

Series	e-Trident 2B
Lockbody	R: Rigid / C: Clutch / X: Automatic Deadbolt Series
Lever Style	S: Sentinel / Q: Quest / Or see TownSteel Catalog
Finish	FB: US19, Flat Black / SC: US26D, Satin Chrome Or special color upon request
Cylinder	Any mortise cylinder can be used

Lever                      Cylinder  
 ↑                              ↑  
**ETR2B6R-SLHSC-SFIC7**  
 ↓                              ↓  
 Lockbody                  Finish