



GENERAL HARDWARE



TABLE OF CONTENTS

WALL STOPS, DOOR STOPS, FLOOR STOPS.....	2-8
KICK DOWN STOPS.....	8
HINGE STOPS.....	9
ROLLER STOPS.....	9
ROLLER LATCHES.....	10
BALL CATCHES.....	11
DOOR GUARDS.....	11
PRIVACY DOOR LATCH.....	11
LATCH PROTECTORS.....	12
COAT AND WARDROBE HOOKS.....	13
SILENCERS.....	13
VIEWERS.....	14
FINISHES.....	15

101 SERIES CONVEX WALL STOP

Concealed mounting, convex bumper. Back plate prevents damage to wall.



SPECIFICATIONS:

- COMPLIANCES:** • ANSI/BHMA A156.16, TYPE L02101.
MATERIAL: • Wrought brass, bronze, and stainless steel with bumper.
FINISHES: • 605(US3), 613 (US10B), 625 (US26), 626 (US26D), 630 (US32D)

MODEL	BUMPER	FASTENER	SIZE	PROJECTION
101	CONVEX	#8 X 1-1/4" TH SMS, PLASTIC TOGGLE AND SCREW ANCHOR	2 1/2" DIA.	1"

Ordering example: 101 626

102 SERIES CONCAVE WALL STOP

Concealed mounting, concave bumper. Back plate prevents damage to wall.



SPECIFICATIONS:

- COMPLIANCES:** • ANSI/BHMA A156.16, TYPE L02251.
MATERIAL: • Wrought brass, bronze, and stainless steel with bumper.
FINISHES: • 605(US3), 613 (US10B), 625 (US26), 626 (US26D), 630 (US32D)

MODEL	BUMPER	FASTENER	SIZE	PROJECTION
102	CONCAVE	#8 X 1-1/4" TH SMS, PLASTIC TOGGLE AND SCREW ANCHOR	2-1/2" DIA.	1"

Ordering example: 102 626

106 SERIES WALL STOP, ADHESIVE BACKED

SPECIFICATIONS:

- MATERIAL:** • Molded rubber
FINISHES: • Gray.



MODEL	BUMPER	FASTENER	SIZE	PROJECTION
106	CONCAVE	SELF ADHESIVE BACKING	1-7/8" DIA.	3/4"

Ordering example: 106 626

107 SERIES DOOR STOP

SPECIFICATIONS:

- COMPLIANCES:** • ANSI/BHMA A156.16, TYPE L02021.
MATERIAL: • Cast brass with bumper.
FINISHES: • 605(US3), 613 (US10B), 626 (US26D).



MODEL	FASTENER	BASE	PROJECTION
107	1 EA. 5/16 - 18 X 2-1/2" STUD, LEAD ANCHOR 5/16-18 X #14 X 2-1/2" LONG HANGER BOLT, PLASTIC ANCHOR	2 1/4" DIA.	3-3/4"

Ordering example: 107 626

108 SERIES DOOR STOP WITH KEEPER

SPECIFICATIONS:

- COMPLIANCES:** • ANSI/BHMA A156.16, TYPE L01351.
MATERIAL: • Solid cast brass with bumper.
FINISHES: • 605(US3), 613 (US10B), 626 (US26D).
OTHER: • Keeper size 1" w x 1-3/4" h.



MODEL	FASTENER	BASE	PROJECTION
108	5/16 - 18 X 2-1/2" STUD, LEAD ANCHOR, 5/16-18 X #14 X 2-1/2" LONG HANGER BOLT, #10 X 1" OH PH SMS, 2 EA. PLASTIC ANCHORS	2-1/2" DIA.	3-3/4"

Ordering example: 108 626

109 SERIES DOOR STOP

SPECIFICATIONS:

- COMPLIANCES:** • ANSI/BHMA A156.16, TYPE L02031.
MATERIAL: • Cast brass with bumper.
FINISHES: • 605(US3), 626 (US26D).



MODEL	FASTENER	BASE	PROJECTION
109	#10 - 24 X 1-1/2" HANGER BOLT	1-3/16" DIA.	3-3/8"

Ordering example: 109 626

110 SERIES ALUMINUM DOOR STOP

SPECIFICATIONS:

- COMPLIANCES:** • ANSI/BHMA A156.16, TYPE L02031.
MATERIAL: • Cast aluminum with bumper.
FINISHES: • 605(US3), 613 (US10B), 625 (US26), 626 (US26D).



MODEL	FASTENER	BASE	PROJECTION
110	10-24 X 1-1/2" HANGER BOLT	1-1/2" DIA.	3"

Ordering example: 110 626

112 SERIES SPRING BASE DOOR STOP

Heavy spring construction for durable wear.

SPECIFICATIONS:

- COMPLIANCES:** • ANSI/BHMA A156.16, TYPE L02051.
MATERIAL: • Spring steel.
FINISHES: • 605(US3), 613 (US10B), 619 (US15).



MODEL	FASTENER	BASE	PROJECTION
112	6 X 3/4" SMS	1" DIA.	3"

Ordering example: 112 626

115 ANGLED WALL STOP

Sloped design reduces damage due to abuse.

SPECIFICATIONS:

- MATERIAL:** • Solid cast brass with bumper.
FINISHES: • 626 (US26D).



MODEL	FASTENER	BASE	PROJECTION
115	#14 X 1-1/2" FH WS, PLASTIC ANCHORS	2-5/32"W X 3"H	3-3/4"

Ordering example: 115 626

119 SERIES DOOR HOLDER WITH STOP

SPECIFICATIONS:

- COMPLIANCES:** • ANSI/BHMA A156.16, TYPE L01291.
MATERIAL: • Cast brass.
FINISHES: • 626 (US26D).
OTHER: • Holder base: 2-3/4" w x 2-1/2" h.
 • Holder projection: 2-1/8".
 • Strike base: 1" w x 2" h.
 • Strike projection: 2".



MODEL	FASTENER
119	#10 X 1" FH PH SMS, PLASTIC ANCHORS;

Ordering example: 119 626

220 UNIVERSAL DOME STOP

For doors with thresholds or undercut doors.

SPECIFICATIONS:

- COMPLIANCES:** • ANSI/BHMA A156.16, TYPES L02141 (for plastic anchor), L20161 (for lead anchor).
MATERIAL: • Solid cast brass with bumper.
FINISHES: • 626 (US26D)
OTHER: • Packed with both WS and MS fasteners



MODEL	BUMPER	FASTENER	BASE	HEIGHT
220	—	#14 X 1-1/2" FH WS, PLASTIC ANCHOR, 1/4-20 X 1-1/4" FH MS, LEAD ANCHOR	5/32" X 1-1/4" DIA.	1-5/8"

Ordering example: 220 626

221 SERIES LOW DOME FLOOR STOP

For doors without thresholds (not undercut).



SPECIFICATIONS:

- COMPLIANCES:** • ANSI/BHMA A156.16, TYPE L02141.
MATERIAL: • Solid cast brass with bumper.
FINISHES: • 605(US3), 613 (US10B), 625 (US26), 626 (US26D)
OTHER: • Packed with both WS and MS fasteners.

MODEL	BUMPER	FASTENER	BASE	HEIGHT
221	—	#12 X 1-1/2" FH WS, PLASTIC ANCHOR; #12 - 24 X 1-1/4" FH MS, LEAD ANCHOR	5/32" X 1-1/4" DIA.	1"

Ordering example: 221 626

222 SERIES HIGH DOME STOP

For doors with thresholds or undercut doors.



SPECIFICATIONS:

- COMPLIANCES:** • ANSI/BHMA A156.16, TYPE L02061.
MATERIAL: • Solid cast brass with bumper.
FINISHES: • 605(US3), 613 (US10B), 625 (US26), 626 (US26D)
OTHER: • Packed with both WS and MS fasteners.

MODEL	BUMPER	FASTENER	BASE	HEIGHT
222	—	#14 X 1-1/2" FH WS, PLASTIC ANCHOR, 1/4-20 X 1-1/4" FH MS, LEAD ANCHOR	1/4" H X 1-7/8" DIA.	1-1/8"

Ordering example: 222 626

223 SERIES DOOR STOP RISER

Full size carpet riser provides sturdy base for mounting dome stops.



SPECIFICATIONS:

- COMPLIANCES:** • ANSI/BHMA A156.16, TYPE L02141.
MATERIAL: • Aluminum.
FINISHES: • 626 (US26D)

MODEL	FASTENER	BASE	HEIGHT
223	NONE	7/8" DIA.	1-1/8"

Ordering example: 223 626

224 SERIES OFFSET DOOR STOP

SPECIFICATIONS:

- COMPLIANCES:** • ANSI/BHMA A156.16, TYPE L02181.
MATERIAL: • Aluminum
FINISHES: • 613 (US10B), 626 (US26D).



MODEL	BUMPER	FASTENER	SIZE	PROJECTION
224		5/16" - 18 X 2-1/2" THREADED STUD, LEAD ANCHOR 5/16 - 18 X 2-1/2" HANGER BOLT #10 X 1" OH PH SMS, PLASTIC ANCHOR	1-3/8" X 2-5/16"	2-1/8"

Ordering example: 224 626

225 SERIES OFFSET DOOR STOP

SPECIFICATIONS:

COMPLIANCES: • ANSI/BHMA A156.16, TYPE L02181.

MATERIAL: • Cast Brass

FINISHES: • 613 (US10B), 626 (US26D).



MODEL	BUMPER	FASTENER	SIZE	PROJECTION
225		5/16" - 18 X 2-1/2" THREADED STUD, LEAD ANCHOR 5/16 - 18 X 2-1/2" HANGER BOLT #10 X 1" OH PH SMS, PLASTIC ANCHOR	1-3/8" X 2-5/16"	2-5/8"

Ordering example: 225 626

226 SERIES OFFSET DOOR STOP WITH HOLD OPEN

SPECIFICATIONS:

COMPLIANCES: • ANSI/BHMA A156.16, TYPE L01371.

MATERIAL: • Cast brass with bumper.

FINISHES: • 605(US3), 626 (US26D).



MODEL	FASTENER	SIZE	HEIGHT
226	5/16" - 18 X 2-1/2" THREADED STUD, LEAD ANCHOR 5/16 - 18 X 2-1/2" HANGER BOLT #10 X 1" OH PH SMS, PLASTIC ANCHOR	1-3/8" X 2-5/16"	3"

Ordering example: 226 626

227 SERIES DOOR STOP

SPECIFICATIONS:

COMPLIANCES: • ANSI/BHMA A156.16, TYPE L02131.

MATERIAL: • Cast brass with bumper.

FINISHES: • 605(US3), 613 (US10B), 626 (US26D).



MODEL	FASTENER	BASE	HEIGHT
227	1 EA. 5/16 - 18 X 2-1/2" STUD, LEAD ANCHOR, #10 X 1" OH SMS, PLASTIC ANCHOR, 5/16-18 X #14 X 2-1/2" HANGER BOLT	2-1/4" DIA.	3"

Ordering example: 227 626

228 SERIES DOOR STOPS WITH KEEPER

SPECIFICATIONS:

COMPLIANCES: • ANSI/BHMA A156.16, TYPE L01371.

MATERIAL: • Cast brass with bumper.

FINISHES: • 605(US3), 613 (US10B), 626 (US26D)

OTHER: • Keeper size 1" w x 1-3/4" h.



MODEL	FASTENER	BASE	HEIGHT
228	5/16 - 18 X 2-1/2" STUD, LEAD ANCHOR 5/16-18 X #14 X 2-1/2" HANGER BOLT #10 X 1" OH SMS, PLASTIC ANCHORS	2-1/2" DIA.	3-3/4"

Ordering example: 228 626

229 SERIES DOOR STOP

SPECIFICATIONS:

- MATERIAL:** • Cast Brass
FINISHES: • 605(US3), 613 (US10B), 626 (US26D).



MODEL	FASTENER	SIZE	PROJECTION
229	8-32 X 1" OH MS, LEAD ANCHORS, #8 X 1-1/4" OH SMS, PLASTIC ANCHORS	1-5/8" X 2-1/4"	1-3/4"

Ordering example: 229 626

230 SERIES DOOR STOP

SPECIFICATIONS:

- MATERIAL:** • Cast Brass
FINISHES: • 605(US3), 613 (US10B), 626 (US26D).



MODEL	FASTENER	SIZE	PROJECTION
230	8-32 X 1" OH MS, LEAD ANCHORS, #8 X 1-1/4" OH SMS, PLASTIC ANCHORS	1-5/8" X 2-1/4"	2-1/2"

Ordering example: 230 626

231 SERIES DOOR STOP, LOW PROFILE

SPECIFICATIONS:

- MATERIAL:** • Cast Brass
FINISHES: • 605(US3), 613 (US10B), 626 (US26D).



MODEL	FASTENER	SIZE	PROJECTION
231	12 X 1-1/2" FH PH SMS, PLASTIC ANCHORS 1/4" - 20 X 1-1/4" FH PH MS, LEAD ANCHORS	1-15/16" X 4"	15/16"

Ordering example: 231 626

232 SERIES DOOR STOP

SPECIFICATIONS:

- MATERIAL:** • Cast Brass
FINISHES: • 605(US3), 613 (US10B), 626 (US26D).



MODEL	FASTENER	SIZE	PROJECTION
232	12 X 1-1/2" FH PH SMS, PLASTIC ANCHORS 1/4" - 20 X 1-1/4" FH PH MS, LEAD ANCHORS	1-15/16" X 4"	1-3/8"

Ordering example: 232 626

233 SERIES DOOR STOP

SPECIFICATIONS:

- MATERIAL:** • Cast Brass
- FINISHES:** • 626 (US26D).



MODEL	FASTENER	SIZE	PROJECTION
233	#12 X 1-1/2" FH PH SMS, PLASTIC ANCHORS	1-1/16"W X 2-1/2"H	2-1/2"

Ordering example: 233 626

240 SERIES AND 241 SERIES KICK DOWN DOOR STOP

- Bumper provides reliable grip on floor.

SPECIFICATIONS:

- COMPLIANCES:** • ANSI/BHMA A156.16, TYPE L01382.
- MATERIAL:** • Cast steel.
- FINISHES:** • 689 Aluminum Painted, 695 Dark Bronze Painted.



MODEL	FASTENER	BASE	PROJECTION
240	#8 X 1" FH SMS	1-1/2" X 2-1/8"	4"
241	#8 X 1" FH SMS	1-1/2" X 2-1/8"	5"

Ordering example: 240 626

242 SERIES AND 243 KICK DOWN DOOR STOP

- Bumper provides reliable grip on floor.
- For use with doors up to 3" door-to-floor clearance.

SPECIFICATIONS:

- COMPLIANCES:** • ANSI/BHMA A156.16, TYPE L01382.
- MATERIAL:** • Solid cast brass with bumper.
- FINISHES:** • 605(US3), 613 (US10B), 626(US26D).



MODEL	FASTENER	BASE	PROJECTION
242	#8 X 1" FH SMS	1" X 2-1/8"	4"
243	#8 X 1" FH SMS	1-3/8" X 2-1/8"	5"

Ordering example: 242 626

245 SERIES HINGE STOP

- Positive slip proof adjustment.
- Heavy wrought steel construction works with both 1/4" and 5/16" hinge pins.



SPECIFICATIONS:

- COMPLIANCES:** • ANSI/BHMA A156.16, TYPE L02223.
- MATERIAL:** • Wrought steel with rubber bumpers.
- FINISHES:** • 626 (US26D).

MODEL	SIZE	PROJECTION
245	2-3/8" X (3" TO 3-3/4" ADJUSTABLE)	2"

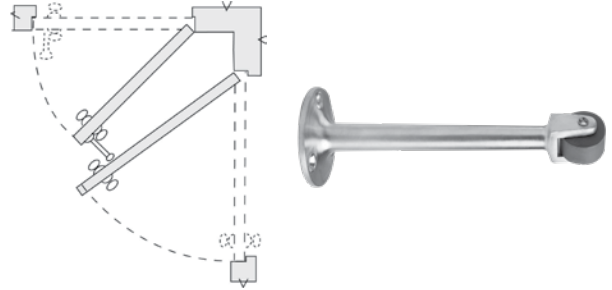
Ordering example: 245 626

350 SERIES STRAIGHT ROLLER STOP

For use where doors swing into each other at right angles.

SPECIFICATIONS:

- COMPLIANCES:** • ANSI/BHMA A156.16, TYPE L02191.
- MATERIAL:** • Solid cast brass with roller bumper.
- FINISHES:** • 605(US3), 613 (US10B), 626(US26D).



MODEL	FASTENER	BASE	PROJECTION
350	#10 X 1" OH SMS	2" DIA.	4-1/2"

Ordering example: 350 626

351 SERIES STRAIGHT ROLLER STOP

For use where doors swing into each other at right angles.

SPECIFICATIONS:

- COMPLIANCES:** • ANSI/BHMA A156.16, TYPE L02191.
- MATERIAL:** • Solid cast brass with rubber bumper.
- FINISHES:** • 605(US3), 613 (US10B), 626(US26D).



MODEL	FASTENER	BASE	PROJECTION
351	#10 X 1" OH SMS	2" DIA.	6-1/2"

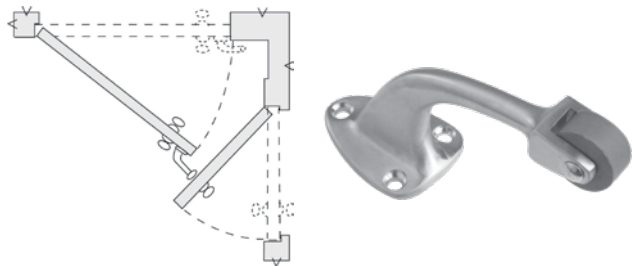
Ordering example: 351 626

352 SERIES CURVED ROLLER STOP

For use where doors swing into each other at odd angles.

SPECIFICATIONS:

- COMPLIANCES:** • ANSI/BHMA A156.16, TYPE L02211.
- MATERIAL:** • Solid cast brass with roller bumper.
- FINISHES:** • 605(US3), 613 (US10B), 626(US26D).



MODEL	FASTENER	BASE	PROJECTION
352	#10 X 1" OH SMS	1-5/8" X 2-1/4"	2-3/4"

Ordering example: 352 626

571 SERIES ROLLER LATCH WITH T STRIKE

- Solid nylon roller for durable silent operation.
- Simple adjustment for roller projection.
- Strike Fits ANSI/BHMA A156.115 Steel Frame Prep.



SPECIFICATIONS:

COMPLIANCES: • ANSI/BHMA A156.16, TYPE E09101.

- MATERIAL:** • Cast brass.
FINISHES: • 605(US3), 613 (US10B), 626(US26D).
FASTENER: • Body: 2 ea. #10 x 1-1/2" FH PH SMS.
 • Strike: 2 ea. #8 x 1" FH PH SMS.

MODEL	LATCH FACE	STRIKE
571	1" X 3-3/8"	1-1/8" X 2-3/4"

Ordering example: 571 626

574 SERIES ROLLER LATCH WITH ANGLE STOP

- Mounts in header with strike in top of door.
- Solid nylon roller for durable silent operation.
- Simple adjustment for roller projection.



SPECIFICATIONS:

COMPLIANCES: • ANSI/BHMA A156.16, TYPE E09111.

- MATERIAL:** • Cast brass.
FINISHES: • 626(US26D).
FASTENER: • Body: 2 ea. #12 x 11/2" FH WS.
 • Strike: 2 ea. #8 x 3/4" FH combo screws.

MODEL	LATCH FACE	STRIKE	PROJECTION
574	1-1/2" X 4-1/2"	1-1/8" X 2-1/4"	5/8"

Ordering example: 574 626

575 SERIES ROLLER LATCH WITH STRIKE

- Solid nylon roller for durable silent operation.
- Simple adjustment for roller projection.



SPECIFICATIONS:

- MATERIAL:** • Brass and steel.
FINISHES: • 605(US3), 613 (US10B), 626(US26D).
FASTENER: • Body: 2 ea.#8 x 1" FH PH SMS.
 • Strike: 2 ea. #8 x 1" FH PH SMS.

MODEL	LATCH FACE	STRIKE
575	7/8" X 2-1/4"	1-11/16" X 2-1/4"

Ordering example: 575 626

95572 ROLLER LATCH STRIKE - ASA

- Strike Fits ANSI/BHMA A156.115 Frame Prep.



SPECIFICATIONS:

- MATERIAL:** • Brass.
FINISHES: • 605(US3), 613 (US10B), 626(US26D).
FASTENER: • 2 ea.#12 x 7/8" FH PH SMS.

MODEL	STRIKE
95572	1-1/4" X 4-7/8"

Ordering example: 95572 626

95673 ROLLER LATCH STRIKE - FULL LIP



SPECIFICATIONS:

- MATERIAL:** • Brass.
FINISHES: • 605(US3), 613 (US10B), 626(US26D).
FASTENER: • 2 ea.#8 x 1" FH PH SMS.

MODEL	STRIKE
95673	1-3/4" X 2-1/4"

Ordering example: 95673 626

577 SERIES ADJUSTABLE BALL CATCH - SQUARE CORNERS

Dual adjustment for door clearance and holding strength.

SPECIFICATIONS:

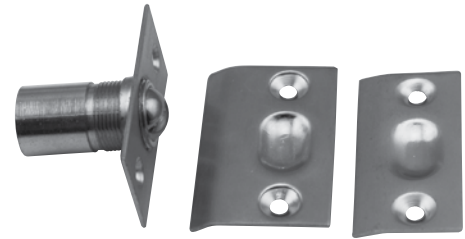
COMPLIANCES: • ANSI/BHMA A156.16, TYPE B03017

MATERIAL: • Brass.

FINISHES: • 605(US3), 613 (US10B), 626(US26D).

FASTENER: • #6 x 1/2" OH PH WS.

OTHER: • Narrow strike for mounting on door, catch in jamb.
• Wide strike for mounting on jamb, catch in door.



MODEL	BODY SIZE	STRIKE SIZE
577	2-1/8"	NARROW: 1-1/16" X 2-1/8" WIDE: 1-3/8" X 2-1/8"

Ordering example: 577 626

578 DOOR GUARD

Includes Door Protection Plate

SPECIFICATIONS:

COMPLIANCES: • ANSI/BHMA A156.16, TYPE L13042

MATERIAL: • Solid cast brass.

FINISHES: • 605(US3), 613 (US10B), 626(US26D).



MODEL	FASTENER	SIZE
578	#6 X 3/4" FH PH SMS #8 X 1-3/4" FH PH SMS	BODY: 1" X 2-1/2" STRIKE: 1" X 1-3/4"

Ordering example: 577 626

579 PRIVACY DOOR LATCH

FEATURES:

- Perfect for situations with hall-to-room openings, such as, hotels, dormitories or apartments.
- Prevents accidental lock out from the conventional flip-latch.
- Allows the door to be opened for identification while providing privacy for the guest or resident.
- Keeps guest from (illegally) propping open entry fire doors.
- Does not allow the door to be held open, avoiding door and frame damage.
- Meets the requirements of FFPA 80 Sections 5.2.4.2 and 5.2.13.3 that requires auxiliary hardware does not interfere or prohibit the proper operation of fire rated doors, and that doors are not blocked or wedged in the open position.
- Easy to install, fast retrofit.
- ADA Compliant.
- Simple to operate for guest or residents.



ADA COMPLIANT

MODEL	FASTENER
579	PRIVACY DOOR LATCH — 626 FINISH

Ordering example: 579 626

582 SERIES LATCH PROTECTOR

Jamb pin prevents prying of door. Non-handed.

SPECIFICATIONS:

- MATERIAL:** • 1/8" Thick steel.
- FINISHES:** • 689 Aluminum Painted, 695 Dark Bronze Painted.
- FASTENER:** • 5/16 - 18 carriage bolts and hex drive sex nuts.



MODEL	MATERIAL SIZE	LOCK TYPE
582	3-1/8" X 11"	CYLINDRICAL OR MORTISE

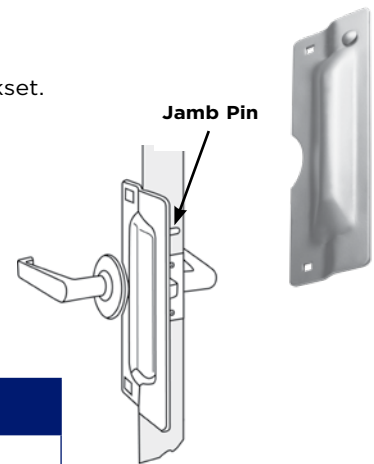
Ordering example: 582 626

583 SERIES LATCH PROTECTOR

- Jamb pin prevents prying of door. Non-handed.
- 583C Series: Notched for 3-3/8" DIA or smaller diameter rose on cylindrical lockset.

SPECIFICATIONS:

- MATERIAL:** • 1/8" Thick steel.
- FINISHES:** • 689 Aluminum Painted, 695 Dark Bronze Painted.
- FASTENER:** • 5/16 - 18 carriage bolts and hex drive sex nuts.



MODEL	MATERIAL SIZE	LOCK TYPE
583	3" X 11"	CYLINDRICAL

Ordering example: 583 626

584 SERIES 12" INTERLOCK PROTECTOR

Fits rose or escutcheon 3-1/2" wide or smaller. Non-handed.

SPECIFICATIONS:

- MATERIAL:** • 3/32" Thick steel.
- FINISHES:** • 689 Aluminum Painted, 695 Dark Bronze Painted.

MODEL	MATERIAL SIZE	FASTENERS
584	1-1/2" X 10"	#8 X 1" FH PH SMS #10 X 1-1/4" PH SECURITY TYPE SMS #10 X 3/4" PH PH SMS

Ordering example: 584 626



901 SERIES MEDIUM COAT HOOK

SPECIFICATIONS:

- COMPLIANCES:** • ANSI/BHMA A156.16, TYPE L03111.
MATERIAL: • Cast brass.
FINISHES: • 626 (US26D).
FASTENER: • 2 ea. #6 x 3/4" RH WS.



MODEL	FASTENER	SIZE	PROJECTION
901	#6 X 5/8" OH PH WS	1-1/4"W X 1-3/8"H	2-11/16"

Ordering example: 901 626

902 SERIES SMALL COAT HOOK

SPECIFICATIONS:

- COMPLIANCES:** • ANSI/BHMA A156.16, TYPE L03111.
MATERIAL: • Cast brass.
FINISHES: • 626 (US26D).
FASTENER: • 2 ea. #6 x 5/8" OH SMS.



MODEL	SIZE	PROJECTION
902	1-3/16"W X 1-1/2"H	2-1/4"

Ordering example: 902 626

904 SERIES AND 905 SERIES DOOR SILENCERS

SPECIFICATIONS:

- COMPLIANCES:** • ANSI/BHMA A156.16, TYPE L03111.
MATERIAL: • Molded rubber, Grey
OTHER: • Fits 1/4" Dia Hole.
 • Packed 100 per bag.



904 Series for Metal



905 Series for Wood

MODEL	SIZE	FRAME TYPE
904	1/2" DIA. X 7/16"	METAL
905	1/4" DIA X 3/8" X 3/4"	WOOD

Ordering example: 904

906 DOOR VIEWER

Privacy cover, 160 degrees viewing area.



SPECIFICATIONS:

COMPLIANCES,

- LISTINGS:**
- Complies with ANSI/BHMA A156.16, TYPE O3222.
 - UL/CUL Listed for use with Certified Swinging-Type Fire Doors rated up to and including 1-1/2 hrs.

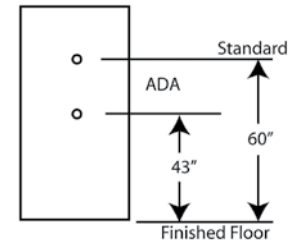
MATERIAL: • Brass

FINISHES: • 605(US3), 613 (US10B), 625 (US26).

MODEL	INSIDE COVER	FOR DOORS
906	YES	1-3/8" TO 2"

Ordering example: 906 625

Recommended Location for Viewers



572 SERIES ROLLER LATCH WITH ASA STRIKE

- Solid nylon roller for durable silent operation.
- Simple adjustment for roller projection.
- Strike Fits ANSI/BHMA A156.115 Steel Frame Prep.

SPECIFICATIONS:

COMPLIANCES: • ANSI/BHMA A156.16, TYPE E09101.

MATERIAL: • Cast brass.

FINISHES: • 605(US3), 613 (US10B), 626(US26D).

FASTENER: • Body: 2 ea. #10 x 1-1/2" FH PH SMS.
• Strike: 2 ea. #8 x 1" FH PH SMS.



MODEL	LATCH FACE	STRIKE
572	1" X 3-3/8"	1-1/4" X 4-7/8"

Ordering example: 572 626

573 SERIES ROLLER LATCH WITH FULL LIP STRIKE

- Solid nylon roller for durable silent operation.
- Simple adjustment for roller projection.

SPECIFICATIONS:

COMPLIANCES: • ANSI/BHMA A156.16, TYPE E09101.

MATERIAL: • Cast brass.

FINISHES: • 605(US3), 613 (US10B), 626(US26D).

FASTENER: • Body: 2 ea. #10 x 1-1/2" FH PH SMS.
• Strike: 2 ea. #8 x 1" FH PH SMS.



MODEL	LATCH FACE	STRIKE
573	1" X 3-3/8"	1-3/4" X 2-1/4"

Ordering example: 573 626

FINISHES

ARCHITECTURAL



605 (US3)
Bright Brass



613 (US10B)
Oil Rubbed Bronze



625 (US26)
Bright Chromium

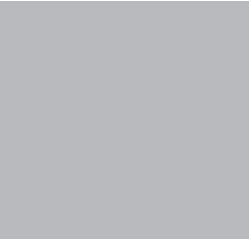


626 (US26D)
Satin Chromium



630 (US32D)
Satin Stainless Steel

PAINTED



689 (US28)
Aluminum



695 (N/A)
Dark Duranodic
Bronze

Finishes shown are representative only. Not all products are available in all finishes listed.



SECURING
CONFIDENCE
OPENING
POSSIBILITIES

Phone: 800.441.9692

Tech Support: 833.2.PDQTEC (833.273.7832)

FAX: 717.656.6892 | Email: help@pdqlocks.com

Headquarters: 2230 Embassy Drive, Lancaster, PA 17603

**Regional Distribution Centers: Lancaster, PA | Kansas City, MO
Henderson, NV | Auburn, WA**

Design Office: Milan, Italy

pdqlocks.com