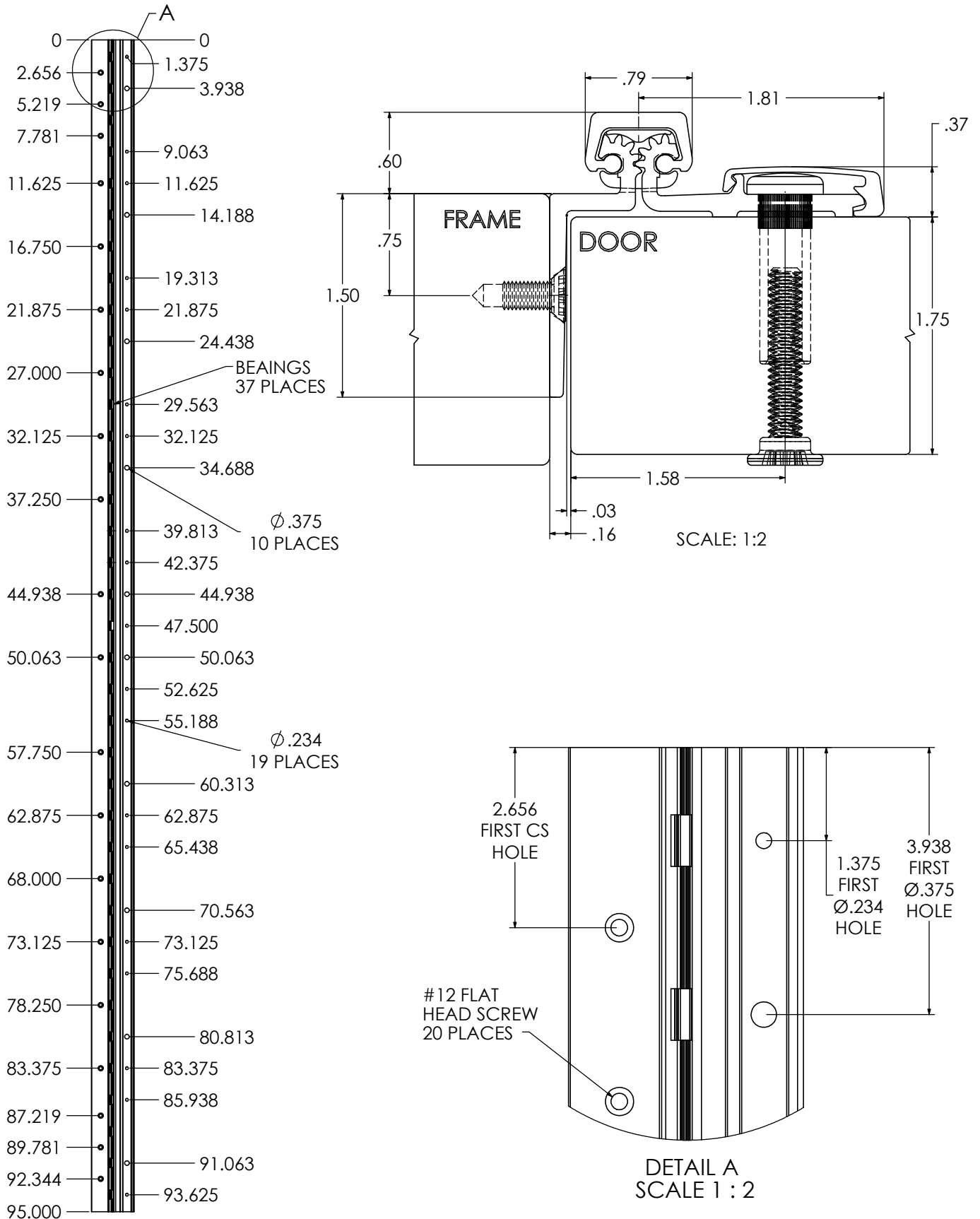
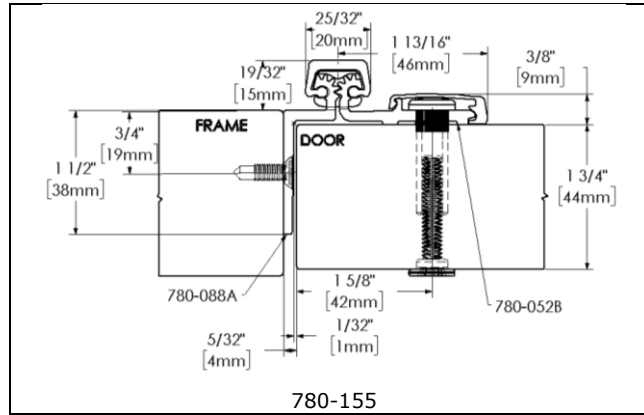


TEMPLATE FOR HALF SURFACE CONTINUOUS GEARED ALUMINUM HINGE





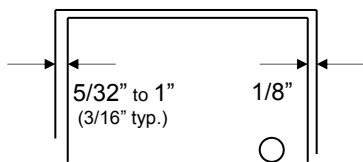
ROTON Model 780-155 is an Aluminum Continuous Geared Half Surface Hinge that provides no predetermined door inset. It can be used with any frame or frameless wall without hinge preps, and either with or without reinforcements depending on door weight. The frame must have a flat surface at least 1-1/2" wide. Minimum clearance between the hinge edge of the door and the frame is 5/32" (4mm). "HD" models have additional bearings and frame fasteners for heavy-duty application.

Hinge Length

All ROTON Hinges are supplied approximately 1" shorter than the nominal door height to avoid threshold or carpet clearance problems. If the hinge must be trimmed shorter, first determine the correct hand of the door and orientation of the hinge. Then mark and trim from the *bottom* of the hinge only – do not cut from the top end.

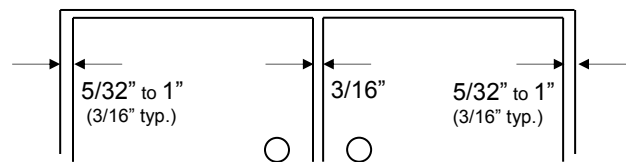
NOM. DOOR HEIGHT	NOM. HINGE LENGTH	NUMBER OF FASTENERS (FRAME / DOOR)
6' 8"	79" (2006mm)	16 / 25
7' 0"	83" (2108mm)	18 / 27
7' 2"	85" (2159mm)	18 / 27
8' 0"	95" (2413mm)	20 / 29
10' 0"	119" (3022mm)	26 / 35

Total Clearance Between Door And Frame Width



SINGLE DOOR

Hinge side clearance (typical)	3/16" (4.7mm)
Latch side clearance (typical)	1/8" (3.2mm)
TOTAL	5/16" (7.9mm)



PAIR OF DOORS

First hinge side clearance (typical)	3/16" (4.7mm)
Clearance between doors (typical)	3/16" (4.7mm)
Second hinge side clearance (typical)	3/16" (4.7mm)
TOTAL	9/16" (14.1mm)

General Fitting Procedure

- For new construction with metal doors/frames: To accommodate the proper clearance between the door and frame, order the door undersized or the frame header oversized. See the clearance information above to attain the proper size. A minimum clearance of 5/32" (4.0mm) is required between the hinge edge of the door and the frame. Mortar guards, either Styrofoam or wood, are recommended for frames to prevent grout from interfering with the installation of the hinge fasteners.
- For new site-hung wood doors: If necessary, scribe and cut from the *latch edge* of the door to leave sufficient hinge stile thickness for proper fastening. See the clearance information above to attain the proper finished width of the door. A minimum clearance of 5/32" (4.0mm) is required between the hinge edge of the door and the frame.
- For remodeling with existing wood or laminate doors: If necessary, scribe and cut from the *hinge edge* of the door and plane smooth. See the clearance information above to attain the proper finished width of the door. A minimum clearance of 5/32" (4.0mm) is required between the hinge edge of the door and the frame.

Installation Procedure

Frame Preparation (See Fig. 1)

1. The frame must have a flat surface at least 1-1/2" wide to support the hinge. With an adjustable square or depth gauge, mark a line on the frame 1-5/16" plus desired door inset measuring from the frame face. (minimum door inset of 3/16" required)
2. Place the outer edge of the hinge frame leaf on this mark, with the top of the hinge positioned 1/16" (1/8" maximum) below the level of the header rabbet. **Note: A 1/16" shim is recommended due to initial settling of the bearings.**
3. Rotate the door hinge leaf out of the way, to make it accessible to mark and center punch the screw hole locations. *Accurate location is important for proper installation.*
4. For metal frames 12 gage ($\leq 110"/2.8\text{mm}$), it is not necessary to pre-drill pilot holes if using the self-drilling screws provided. For metal frames larger than 12 gage ($> 110"/2.8\text{mm}$), drill and tap all mounting holes for #12-24 threads prior to installing the screws. For wood frames, drill and tap all mounting holes for #12-24 threads prior to installing the screws.
5. Attach the hinge to the frame. For metal frames, use the #12 self-drilling screws provided (recommended driver speed 1,900-2,500 RPM). For wood frames, use optional #12 wood screws.

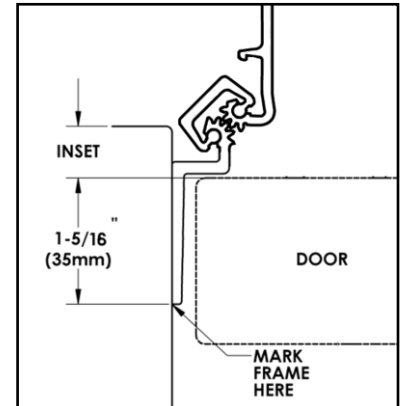


Fig. 1

Door Preparation

1. Rotate the hinge leaf out of the way and set the door into the frame, using shims or wedges to adjust for the desired clearance on all sides.
2. Allow an additional 1/32" of clearance on the latch edge of the door at the top only. This will allow for any settling or twisting of the frame that may occur after the shims are removed and the weight of the door is transferred entirely to the frame.
3. Allow 1/16" clearance between the top of the door and the frame header. A good method for this is to use a 1/16" thick shim placed over the top edge of the door.
4. With the door held securely in place, rotate the hinge leaf into position on the face of the door.
5. (Standard sexbolt mounting) - Mark and center punch the locations of the larger 3/8" diameter holes. *Accurate location is important for proper installation.* Rotate the hinge leaf back out of the way. At each mark, drill a hole completely through the door using a 3/8" (9.5mm) bit.
 (Optional mounting without sexbolts) - Mark and center punch the locations of the smaller 15/64" diameter holes. For metal doors, use optional #12 self-drilling screws. For wood doors, pre-drill pilot holes using a #18 (.170"/4.5mm) bit for optional #12 wood screws.

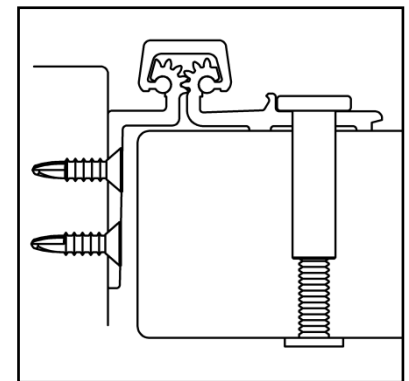


Fig. 2

Hanging the Door (See Fig. 2)

1. Attach the hinge to the door as shown. Sexbolts may be reversed if additional security is needed on the push face of the door, but once the molding is in place reversed sexbolts cannot be accessed for maintenance or removal.
2. Remove all shims and wedges and make a gentle trial swing. Carefully check the door for proper swing and clearance.

Install the Snap-On Molding (See Fig. 3)

1. For the door leaf - Locate and loosen the retaining setscrew on the edge of the molding with the 5/64" hex key provided. Hook the thicker leg of the molding under the outside edge of the door leaf along the full length of the hinge. Starting at the top and working downward, press or gently tap the opposite leg of the molding in place (if necessary use a rubber mallet or wood block under a hammer, taking care not to damage the molding). Tighten the retaining setscrew.

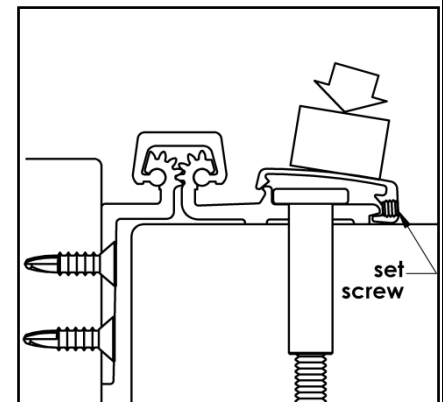
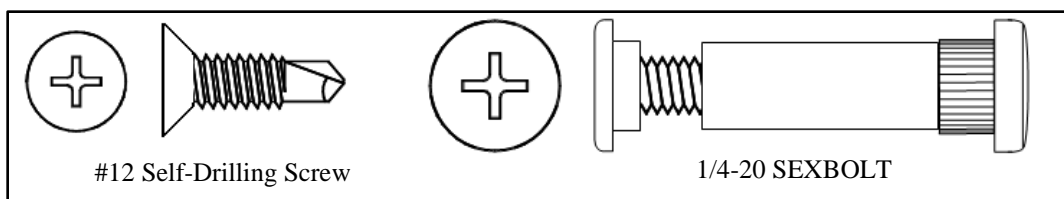
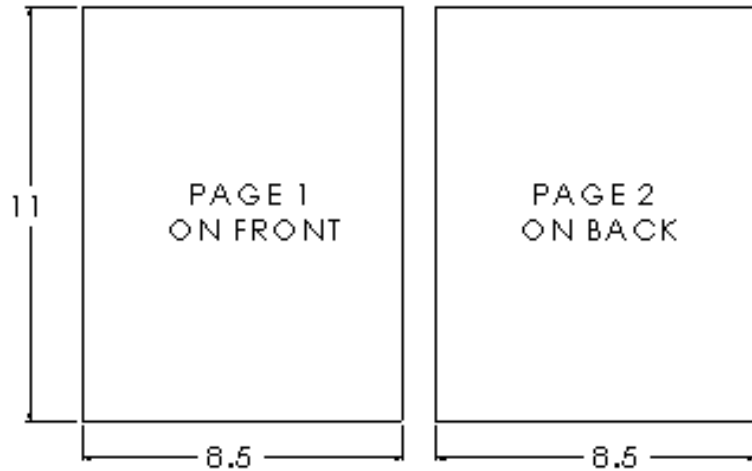


Fig. 3



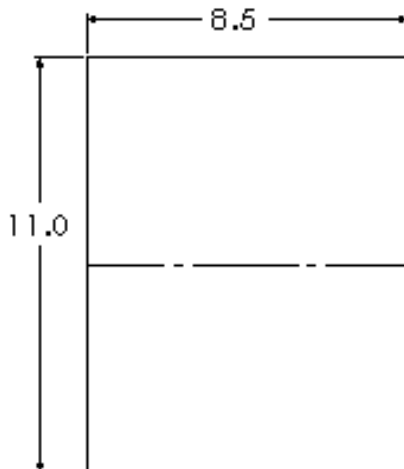
FOLDING INSTRUCTIONS

1. **DO NOT USE THIS DRAWING FOR PRINTING** - USE INSTRUCTION FILE.
2. SINGLE SHEET (20# WEIGHT), DOUBLE-SIDED PRINTING ON 8-1/2" X 11"
3. FOLD SHEET AS SHOWN IN DETAIL "A", FOLDING INSTRUCTIONS

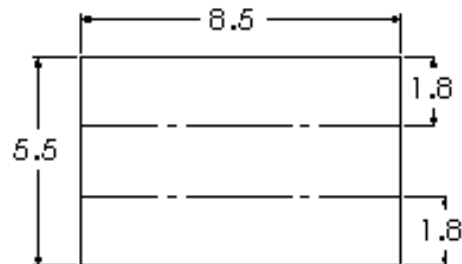


DETAIL "A" FOLDING INSTRUCTIONS

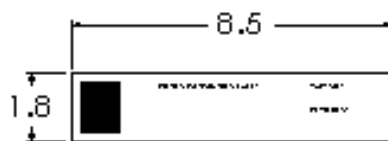
1. FOLD SHEET IN HALF ALONG WIDTH



2. FOLD INTO THIRDS



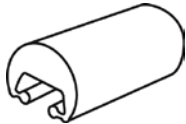
3. FOLDED SHEET WITH HAGER LOGO & REVISION DATE ON OUTSIDE



MODIFICATIONS & ADDITIONS

Special Cover Channels

Rounded back cover channels may be ordered. Availability for hinges with electrical modifications vary. Please consult the St. Louis sales office for confirmation.



Round Back

Round Back Cover Channels

Clear Anodized

Sizes: 79", 83", 85", 95", 119"

Bronze Anodized

Sizes: 79", 83", 85", 95", 119"

Black Anodized

Sizes: 79", 83", 85", 95", 119"

Note:

Special cover channels available in clear, dark bronze and black finish.

Roton Cover Channel Compatibility		
Hinge Model	Flat FBCC	Round RBCC
750-134	•	•
750-138	•	•
780-041	•	•
780-045	•	•
780-046	•	•
780-053	•	•
780-054	•	•
780-057	•	•
780-110	•	•
780-111	•	•
780-112	•	•
780-113	•	•
780-124	•	•
780-155	•	•
780-157	•	
780-210	•	•
780-211	•	•
780-213	•	•
780-224	•	•
780-226	•	•
780-235	•	•
780-257	•	
780-300	•	

* Round back (RBCC) is not compatible with molded Hospital Tip option.

