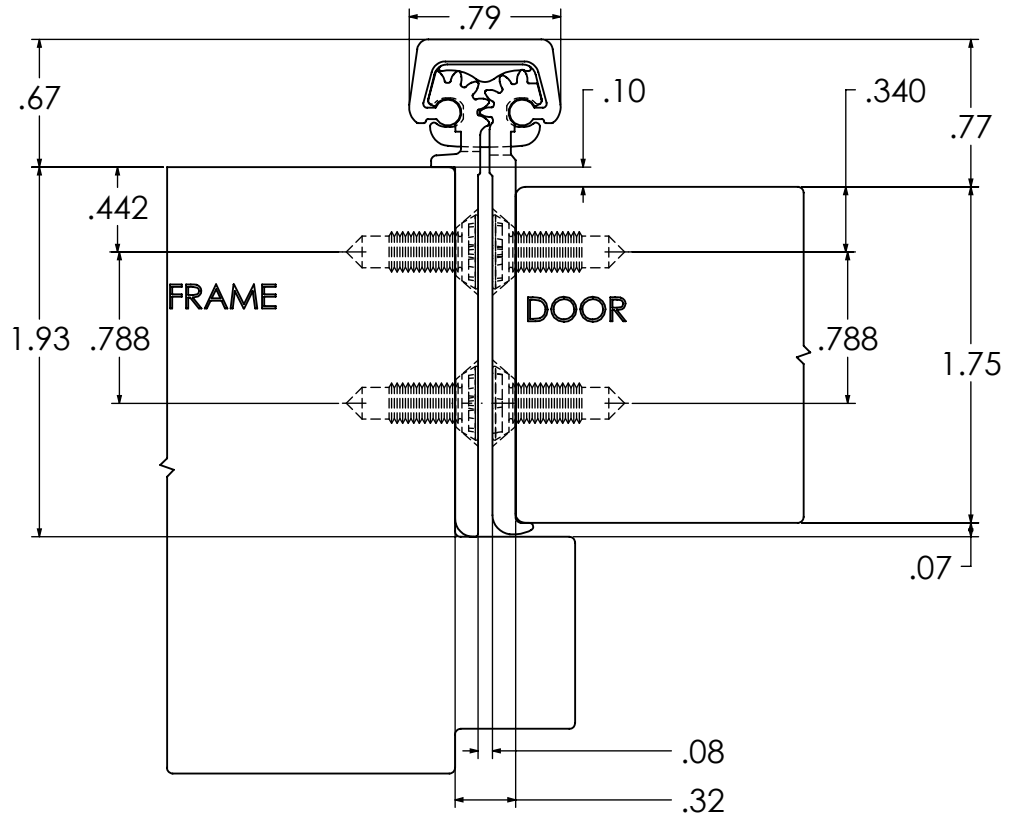
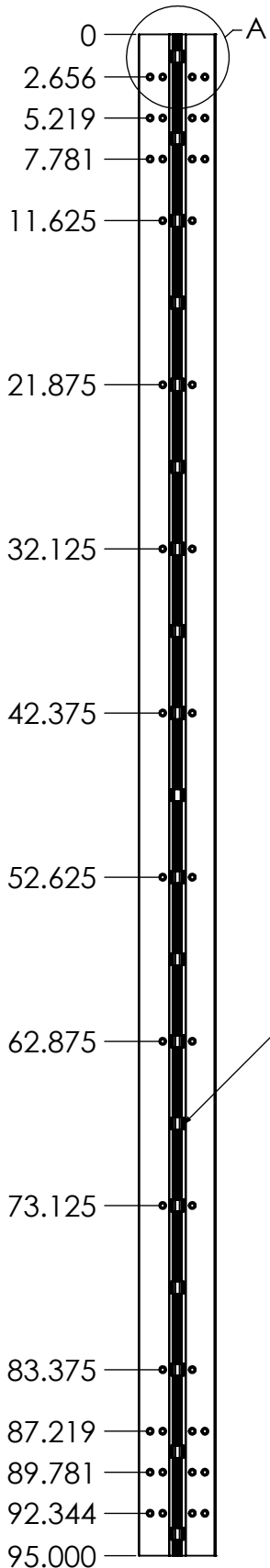


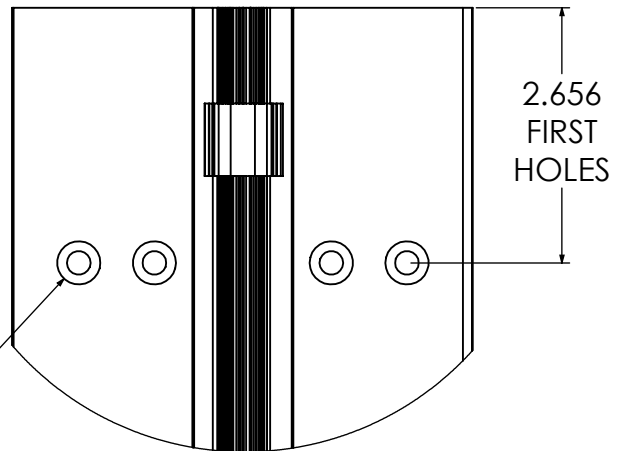
TEMPLATE FOR FULL MORTISE CONTINUOUS GEARED ALUMINUM HINGE



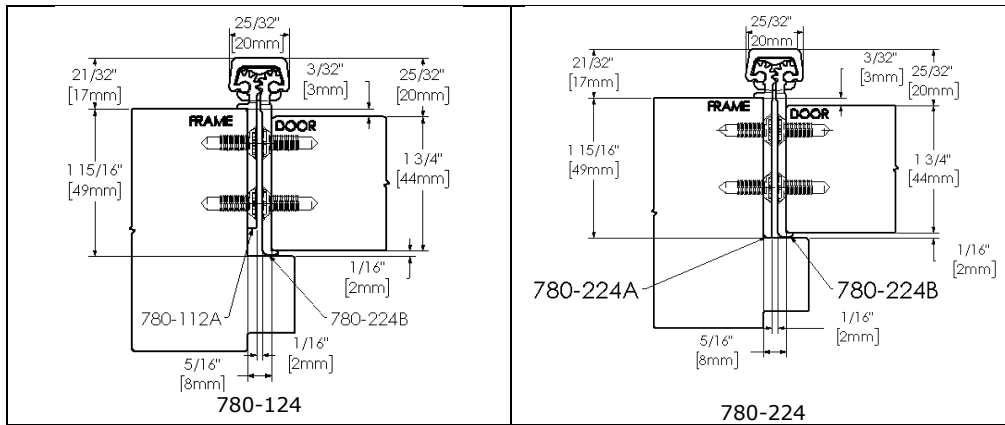
SCALE 1 : 1

BEARINGS
19 PLACES

#12 FLAT
HEAD SCREW
40 PLACES



DETAIL A
SCALE 1 : 2



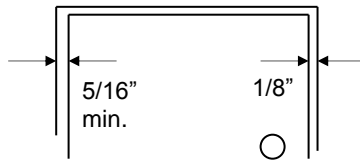
ROTON Models 780-124 and 780-224 is an Aluminum Continuous Geared Concealed Leaf Hinge. This model provides a 3/32" door inset. The 780-124 and 780-224 can be used with any standard frame without hinge preps, and either with or without reinforcements depending on door weight. Clearance required between the hinge edge of the door and the frame rabbet is 5/16" (7.9mm) minimum. "HD" models have additional door bearings for heavy-duty application.

Hinge Length

All ROTON Hinges are supplied approximately 1" shorter than the nominal door height to avoid threshold or carpet clearance problems. If the hinge must be trimmed shorter, first determine the correct hand of the door and orientation of the hinge. Then mark and trim from the *bottom* of the hinge only – do not cut from the top end.

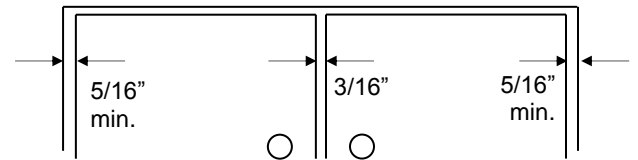
NOM. DOOR HEIGHT	NOM. HINGE LENGTH	NUMBER OF FASTENERS (FRAME / DOOR)
6' 8"	79" (2006mm)	15 / 15
7' 0"	83" (2108mm)	19 / 19
7' 2"	85" (2159mm)	19 / 19
8' 0"	95" (2413mm)	20 / 20
10' 0"	119" (3022mm)	23 / 23

Total Clearance Between Door And Frame Width



SINGLE DOOR - SQUARE EDGED

Hinge thickness	5/16" (7.9mm)
Allowance for frame irregularities	1/32" (0.8mm)
Latch side clearance (typical)	1/8" (3.2mm)
TOTAL*	15/32" (11.9mm)



PAIR OF DOORS - SQUARE EDGED

First hinge thickness	5/16" (7.9mm)
First allowance for frame irregularities	1/32" (0.8mm)
Clearance between doors (typical)	3/16" (4.8mm)
Second hinge thickness	5/16" (7.9mm)
Second allowance for frame irregularities	1/32" (0.8mm)
TOTAL*	7/8" (22.2mm)

*For doors that are pre-beveled 1/8"-in-2" on the hinge edge, add 1/32" (0.8mm) per door to the TOTAL clearance shown.

General Fitting Procedure

- For new construction with metal doors/frames: To accommodate the 5/16" (7.9mm) hinge clearance required for these ROTON models, order the door undersized or the frame header oversized. See the clearance information above to attain the proper size. Mortar guards, either Styrofoam or wood, are recommended for frames to prevent grout from interfering with the installation of the hinge fasteners.
- For new site-hung wood doors: If necessary, scribe and cut from the *latch edge* of the door to leave sufficient hinge stile thickness for proper fastening. A minimum clearance of 5/16" (7.9mm) is required between the hinge edge of the door and the frame rabbet. See the clearance information above to attain the proper finished width of the door.
- For remodeling with existing wood or laminate doors: If necessary, scribe and cut from the hinge edge of the door and plane smooth. A minimum clearance of 5/16" (7.9mm) is required between the hinge edge of the door and the frame. See the clearance information above to attain the proper finished width of the door.

Installation Procedure

Frame Preparation (See Fig. 1)

1. With the hinge open, place the hinge frame leaf against the frame rabbet making certain that the alignment rib is flush against the frame face along its entire length. Position the top of the hinge 1/16" (1/8" maximum) below the header. **Note: A 1/16" shim is recommended due to initial settling of the bearings.**
2. Mark and center punch the screw hole locations. *Accurate location is important for proper installation.*
3. For metal frames 12 gage or less ($\leq .110"/2.8\text{mm}$), it is not necessary to pre-drill pilot holes if using the self-drilling screws provided. For metal frames thicker than 12 gage ($> .110"/2.8\text{mm}$), drill and tap all mounting holes for #12-24 threads prior to installing the screws. For wood frames, pre-drill pilot holes using a #18 (.170"/4.3mm) bit for optional #12 wood screws.
4. *Do not attach the hinge to the frame at this time.*

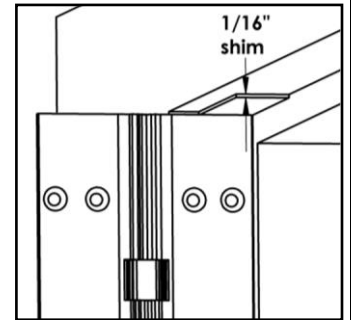


Fig. 1

Door Preparation (See Fig. 2)

1. With the hinge open, place the hinge door leaf against the edge of the door making certain that the door alignment rib is flush against the door face along its entire length. Position the top of the hinge flush with the top of the door.
2. Mark and center punch the screw hole locations. *Accurate location is important for proper installation.*
3. For hollow metal doors 12 gage or less ($\leq .110"/2.8\text{mm}$), it is not necessary to pre-drill pilot holes if using the self-drilling screws provided. For metal doors thicker than 12 gage ($> .110"/2.8\text{mm}$), drill and tap all mounting holes for #12-24 threads prior to installing the screws. For wood doors, pre-drill pilot holes using a #18 (.170"/4.3mm) bit for optional #12 wood screws (provided with LL models).
4. Attach the hinge to the door. For metal doors, use the #12 self-drilling screws provided (recommended driver speed 1,900-2,500 RPM). For wood doors, use optional #12 wood screws.

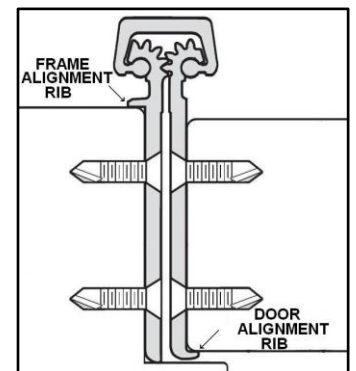


Fig. 2

Hanging the Door (See Fig. 3)

1. Position the door (with hinge attached) at 90° to the frame. Attach the hinge to the frame rabbet. For metal frames, use the #12 self-drilling screws provided (recommended driver speed 1,900-2,500 RPM). For wood frames, use optional #12 wood screws.
2. Make a gentle trial swing. Carefully check the door for proper swing and clearance.

Adjusting the Door

1. If lateral adjustment of the door is required due to excessive or uneven door/frame clearance, adjust by shimming where needed:
 - a) For minor adjustments, an effective shimming material is 1-1/2" cloth duct tape. Apply the tape in stepped layers underneath the frame leaf where needed to build up to the desired thickness.
2. To shift the entire door, a thin continuous aluminum strip may be used underneath the frame leaf (available in 1/16" (1.6mm) and 1/8" (3.2mm) thicknesses from HAGER).
3. Retighten all screws. Carefully check the door for proper swing and clearance.

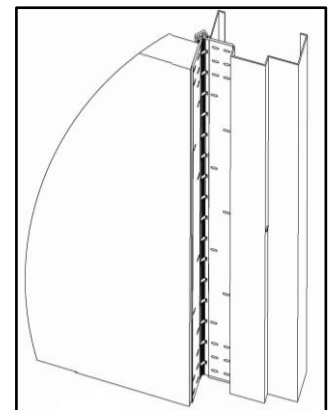
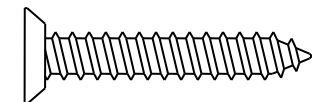
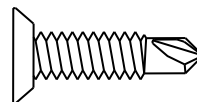


Fig. 3



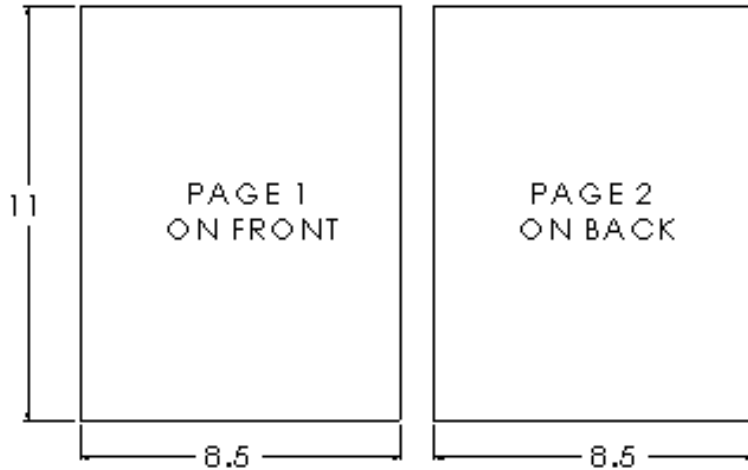
#12 Wood Screw
(Optional)



#12 Self-Drilling Screw

FOLDING INSTRUCTIONS

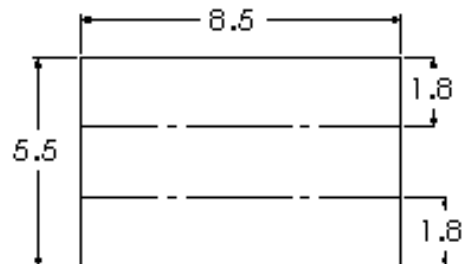
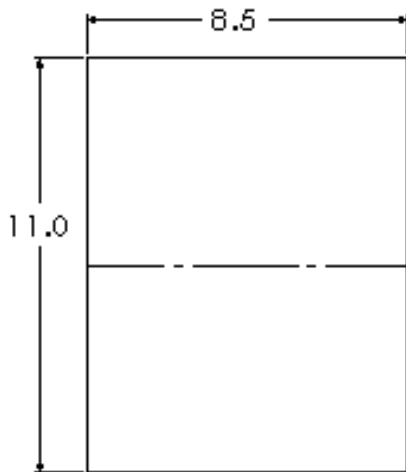
1. **DO NOT USE THIS DRAWING FOR PRINTING** - USE INSTRUCTION FILE.
2. SINGLE SHEET (20# WEIGHT), DOUBLE-SIDED PRINTING ON 8-1/2" X 11"
3. FOLD SHEET AS SHOWN IN DETAIL "A", FOLDING INSTRUCTIONS



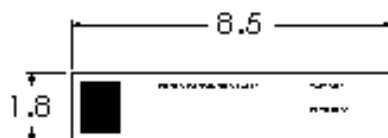
DETAIL "A" FOLDING INSTRUCTIONS

1. FOLD SHEET IN HALF ALONG WIDTH

2. FOLD INTO THIRDS



3. FOLDED SHEET WITH HAGER LOGO & REVISION DATE ON OUTSIDE



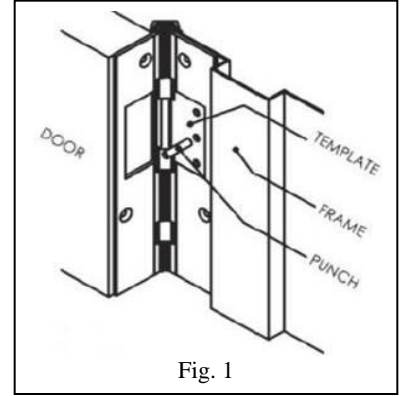
REMOVABLE ELECTRIC THROUGH WIRE

Door and Frame Preparation

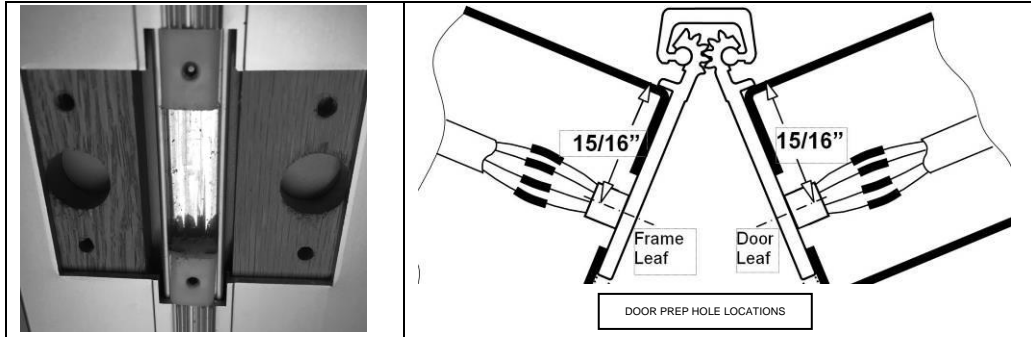
1. For grout filled frame, install a Mortar Box (HAGER 430). Failure to do so will void the hinge warranty.
2. Prepare the door and frame for installation using the standard installation instruction sheet furnished with the hinge.

Installation

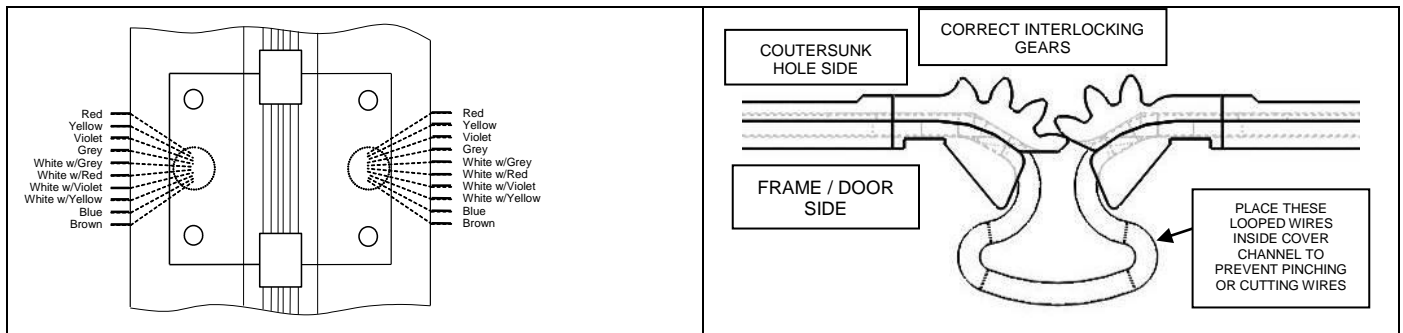
1. Attach the hinge to the door and frame using the standard installation instruction sheet furnished with the hinge.
2. If the door will have a closer on it, disconnect the closer arm. The module is much easier to install with the door fully open.
3. Place the marking template into the notched section of the hinge. Make sure it rests flat against the mounting surface and to the outside edge of the hinge.
4. Using the transfer punch, center punch both the mounting holes and the wire access hole. See Fig. 1. The middle hole is the wire access hole.
5. Repeat steps 2 and 3 for the opposite leaf of the hinge.



6. Drill only the 5/8" (3/4" max. for Quick Connect) diameter access hole in both the frame rabbet and the door edge. For metal frames and doors ≤ 0.110" (2.8mm) thick, it is not necessary to drill pilot holes for the mounting screws, if using the self-drilling screws provided. For metal frames and doors > 0.110" (2.8mm) thick, drill the pilot holes for the mounting screws using a #16 (0.177"/4.5mm) bit, if using the self-drilling screws provided. For wooden doors, drill pilot holes for the mounting screws using a #18 (0.170"/4.3mm) bit, if using the wood screws provided.



7. After drilling, remove any burrs or sharp edges from the holes to prevent damage to the wire leads.
8. Identify which leaf gears of the module matches the frame leaf of the installed hinge (the number of gear teeth are different on the frame and door leaves).
9. Connect the system wires from the frame to the appropriate leads of the frame leaf side of the module (as described in the system wiring diagram). Insulate the bare end of any unused wires.



10. Insert the frame leaf module into the notch of the hinge while carefully pushing the wires back through the access hole in the frame, making sure they are placed so they will not be cut or pinched as the installation is completed. Attach the module to the frame, leaving the screws slightly loose. For metal doors, use the #12 self-drilling screws provided (recommended driver speed 1,900-2,500 RPM). For wood doors, use the #12 wood screws provided.

11. Connect the system wires from the door to the appropriate leads of the door leaf side of the module. See illustration to the right. Insulate the bare end of any unused wires.



12. Insert the door leaf module into the notch of the hinge while carefully pushing the wires back through the access hole in the door, making sure they are placed so they will not be cut or pinched as the installation is completed. Move the door to at least 90 degrees to verify the gears align with the gears in the frame leaf. Make sure the gears you can see are aligned with the other hinge gears above and below. Using the #12 self-drilling screws to attach the module to the door, ensure the proper interlock of gear teeth of the two module components and that the looped wires are placed into the cover channel.

13. Tighten all screws in the module, making sure that both leaves of the module are flat and flush with the hinge leaves. A quick visual inspection should show all gears are vertically aligned. Cycle door open and closed to ensure proper alignment with hinge and module.

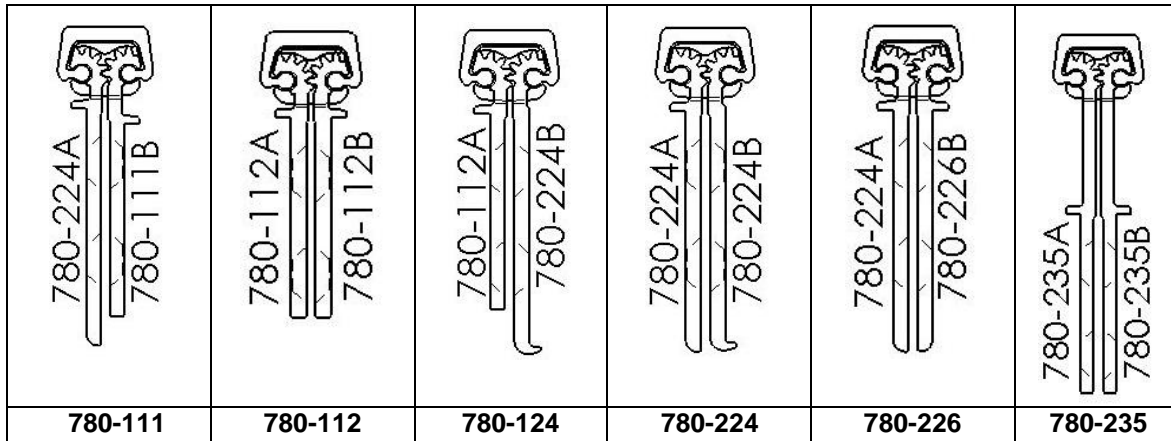
14. Reattach door closer arm if present.



**MAXIMUM ELECTRICAL
RATING CONTACT THROUGH WIRE**
Volts: 48V DC/AC
Amperes: 3.5Amps Continuous

ROTON Hinge U.L. Fire-Rated Studs – 780-111, -112, -124, -224, -226, -235

These instructions outline how to install the optional stainless steel studs (4) for ROTON Hinge models 780-112, 780-124 and 780-224. All four studs must be used in order to comply with U.L. requirements for composite wood fire doors rated up to 90 minutes and metal fire doors rated up to 3 hours.



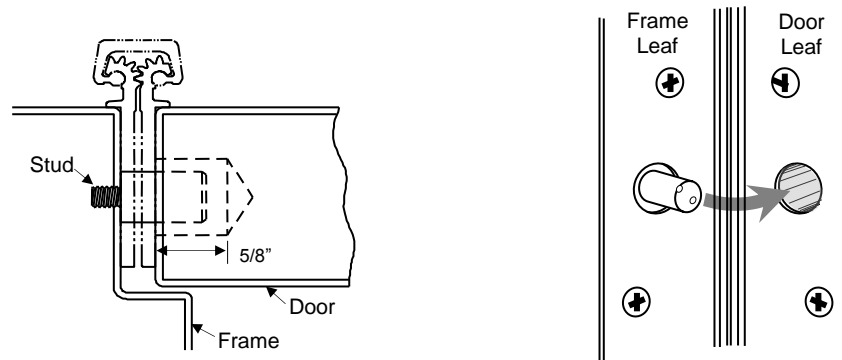
Materials Needed

- Stainless steel studs (4).
- Drill, 3/4" diameter bit, #16 (.177") bit, 12-24 thread tap.
- #10 spanner screwdriver.

Vertical Location	79"	83"	85"	95"	119"
Hole #1	13-7/8"	15-7/8"	16-7/8"	16-3/4"	13-3/8"
Hole #2	10-1/4"	10-1/4"	10-1/4"	20-1/2"	30-3/4"
Hole #3	30-3/4"	30-3/4"	30-3/4"	20-1/2"	30-3/4"
Hole #4	10-1/4"	10-1/4"	10-1/4"	20-1/2"	30-3/4"

Installation

1. Install the hinge in accordance with the standard installation instructions furnished with the hinge.
2. At the center of each 3/4" diameter pre-drilled hole in the *frame leaf*, drill and tap a #12-24 threaded hole into the frame (four places).
3. At each 3/4" diameter pre-drilled hole in the *door leaf*, drill a 3/4" diameter x 5/8" deep hole into the edge of the door (four places).
4. Insert a stud into each of the four #12-24 threaded holes of the frame and tighten securely using a #10 spanner screwdriver.
5. Close the door slowly to assure that the studs are properly aligned. Any minor interference can be corrected using a rat-tail file.



**Severe Windstorm Resistant Components for Swinging Door Assemblies
 ANSI/SDI A250.13 - 2003 Standard**

The following products have been approved for statewide acceptance by the Florida Building Commission pursuant to Rule 9B-72.090, F.A.C., for approval of products and systems for use on Exterior Swinging Door Assemblies, in compliance with the structural requirements of the **2010 Florida Building Code**. Verification of Florida Statewide acceptance can be found at www.floridabuilding.org under the Product Approval section.

Certified Hardware	Assembly Configuration	Door Size	Door Stiffness Class	Design Load	Florida Certification Number (FL.#)
3100 Series Gr. 1 Deadbolt	Single - Out Swing	3-0 x 7-0	-	1150 lbf (100 psf)*	6118.1
	Single - Out Swing	4-0 x 8-0	-	1150 lbf (70 psf)*	
3200 Series Gr. 2 Deadbolt	Single - Out Swing	3-0 x 7-0	-	1150 lbf (100 psf)*	6118.2
	Single - Out Swing	4-0 x 8-0	-	1150 lbf (70 psf)*	
3400 Series Gr. 1 Lockset	Single - Out Swing	3-0 x 7-0	-	1150 lbf (100 psf)*	6118.3
	Single - Out Swing	4-0 x 8-0	-	1150 lbf (70 psf)*	
3500 Series Gr. 2 Lockset	Single - Out Swing	3-0 x 7-0	-	860 lbf (80 psf)*	7683.1
	Single - Out Swing	4-0 x 8-0	-	860 lbf (50 psf)*	
3800 Series Gr. 1 Mortise w/Deadbolt	Single - Out Swing	3-0 x 7-0	-	1150 lbf (100 psf)*	12932.1
	Single - Out Swing	4-0 x 8-0	-	1150 lbf (70 psf)*	
4500 Rim Exit Device	Single - Out Swing	4-0 x 8-0 max.	I	+/- 70 psf 350 ft-lbs Impact	9481.1
4500 SVR Exit Device	Out Swing	8-0 x 8-0 pair max.	I	+/- 50 psf 350 ft-lbs Impact	13178.1
4700 Rim Exit Device	Single - Out Swing	4-0 x 8-0 max.	I	+/- 40 psf 350 ft-lbs Impact	8293.1
780-112 Roton Hinge	Single Swing	4-0 x 8-0 max.	I	1150 lbf (72 psf)* 350 ft-lbs Impact	6118.4
780-111 SD & HD	Single Swing	4-0 x 8-0 max.	I	1150 lbf (72 psf)* 350 ft-lbs Impact	13776.3
780-224 SD & HD					13776.5
780-226 SD & HD					13776.6
BB1191 Hinge	Single - Out Swing	-	-	1780 lbf**	6118.5
1191 Butt Hinge	Single - Out Swing	-	-	1780 lbf**	13776.1
1279 Butt Hinge					13776.2
BB1279 Butt Hinge					13776.9
BB1168 Butt Hinge					13776.7
BB1199 But Hinge					13776.8

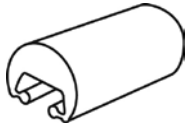
* Load in parenthesis indicates the equivalent load in pounds per square foot based on indicated door size and door stiffness (if applicable). This load is based on the hardware item taking half of the force applied to the door assembly by the wind load and the hinges taking the other half.

** This load indicates the design load for a single butt hinge. Maximum wind load should be calculated based on door size, number of hinges used, and the other available door hardware on the door assembly.

MODIFICATIONS & ADDITIONS

Special Cover Channels

Rounded back cover channels may be ordered. Availability for hinges with electrical modifications vary. Please consult the St. Louis sales office for confirmation.



Round Back

Round Back Cover Channels

Clear Anodized

Sizes: 79", 83", 85", 95", 119"

Bronze Anodized

Sizes: 79", 83", 85", 95", 119"

Black Anodized

Sizes: 79", 83", 85", 95", 119"

Note:

Special cover channels available in clear, dark bronze and black finish.

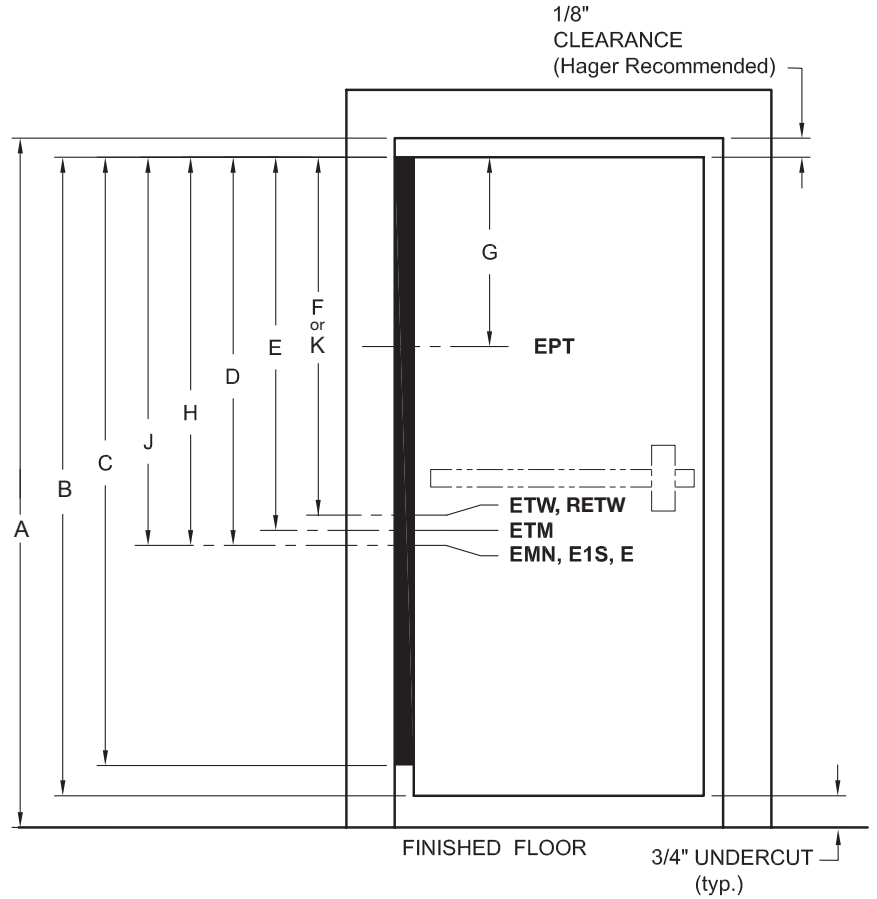
Roton Cover Channel Compatibility		
Hinge Model	Flat FBCC	Round RBCC
750-134	•	•
750-138	•	•
780-041	•	•
780-045	•	•
780-046	•	•
780-053	•	•
780-054	•	•
780-057	•	•
780-110	•	•
780-111	•	•
780-112	•	•
780-113	•	•
780-124	•	•
780-155	•	•
780-157	•	
780-210	•	•
780-211	•	•
780-213	•	•
780-224	•	•
780-226	•	•
780-235	•	•
780-257	•	
780-300	•	

* Round back (RBCC) is not compatible with molded Hospital Tip option.



ROTON ELECTRICAL MODIFICATIONS

- A = Opening
- B = Door height
- C = Actual hinge length
- D = C.L. of EMN (electric monitor)
- E = C.L. of ETM (electric through-wires & monitor)
- F = C.L. of ETW (electric through-wires)
- G = C.L. of EPT (electric power transfer)
- H = C.L. of E1S (exposed switch)
- J = C.L. of E (exposed contact)
- K = C.L. of RETW (removable electric through-wires)



For ease of ordering, Hager Companies has established standard locations for power transfer cutouts. All standard location dimensions are referenced from the top edge of the door to the centerline of the power transfer cutout. Please specify handing.

NOTE: These locations are for concealed hinges only.

	Opening	Door Height	Actual Hinge Length	EMN	ETM	ETW	EPT	E1S	E	RETW
79 SD	80"	79-1/8"	79"	40-3/4"	42-3/4"	40-3/4"	34-3/8"	42-1/2"	42-1/2"	-
79 HD	80"	79-1/8"	79"	40-3/4"	43-3/8"	40-3/4"	34-3/8"	42-1/2"	42-1/2"	43-3/8"
83 SD	84"	83-1/8"	83"	45-5/16"	44-3/4"	45-5/16"	36-3/8"	46-1/2"	46-1/2"	-
83 HD	84"	83-1/8"	83"	45-5/16"	45-3/8"	45-5/16"	36-3/8"	46-1/2"	46-1/2"	45-3/8"
85 SD	86"	85-1/8"	N/A	N/A	N/A	N/A	N/A	N/A	N/A	N/A
85 HD	86"	85-1/8"	85"	46-5/16"	46-3/8"	46-5/16"	37-3/8"	48-1/2"	48-1/2"	46-3/8"
95 SD	96"	95-1/8"	95"	56-3/8"	55-13/16"	56-3/8"	47-1/2"	59-3/4"	59-3/4"	-
95 HD	96"	95-1/8"	95"	56-3/8"	56-1/2"	56-3/8"	47-1/2"	59-3/4"	59-3/4"	56-1/2"
119 SD	120"	119-1/8"	N/A	N/A	N/A	N/A	N/A	N/A	N/A	N/A
119 HD	120"	119-1/8"	119"	81-1/4"	81-5/16"	81-1/4"	72-5/16"	83-3/4"	83-3/4"	81-5/16"

SD = Standard Duty

HD = Heavy Duty



ROTON ELECTRICAL MODIFICATIONS

	Von Duprin EPT 2 or EPT 10 Power Transfer Preparation	Exposed Electric Contacts	Exposed Electric Switches	Concealed Electric Through-Wire	Concealed Electric Monitoring	Concealed Electric Through-Wire and Monitoring	Removable Electric Through-Wire
Part Number	EPT	E	E1S	ETW	EMN	ETM	RETW
780-045HD	•						
780-046HD	•						
780-053	•						
780-053HD	•						
780-054HD	•						
780-110HD			•				
780-057				•			•
780-111	•	•	•	•	•	•	
780-111HD	•	•	•	•	•	•	•
780-111LL	•	•	•	•	•	•	
780-112	•	•	•	•	•	•	
780-112HD	•	•	•	•	•	•	•
780-112LL	•	•	•	•	•	•	
780-124HD	•	•	•	•	•	•	•
780-124LL	•	•	•	•	•	•	
780-157				•			•
780-224	•	•	•	•	•	•	
780-224HD	•	•	•	•	•	•	•
780-224LL	•	•	•	•	•	•	
780-226HD	•	•	•	•	•	•	•
780-226LL	•	•	•	•	•	•	
780-235HD				•			
1200-600	•			•			
1200-650	•			•			

CONCEALED ETW – Electric Through Wires

Door and Frame Preparation

For grout filled frame, install a Mortar Box (HAGER 430). Failure to do so will void the hinge warranty. Refer to Table 2 and Figures below for your particular ROTON Hinge model.

1. Drill a 1/2" (5/8" max for Quick Connects) diameter access hole in both the frame rabbet and the door edge for a Concealed Hinge or in the frame and the door face for a Full Surface hinge at the proper location for the wire leads. (12-wire, ETW only, model Concealed Hinges will require two drilled holes in both the frame and door.)
2. After drilling, deburr the holes to prevent damage to the wire leads.

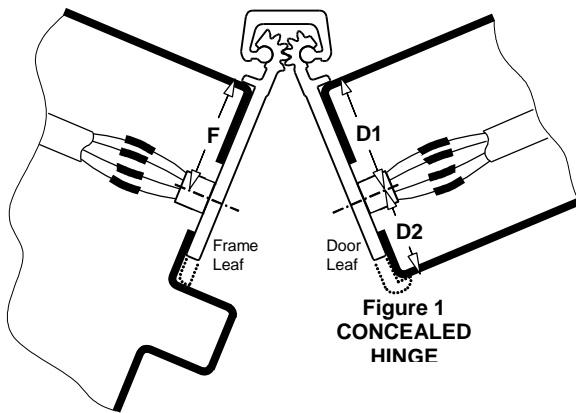
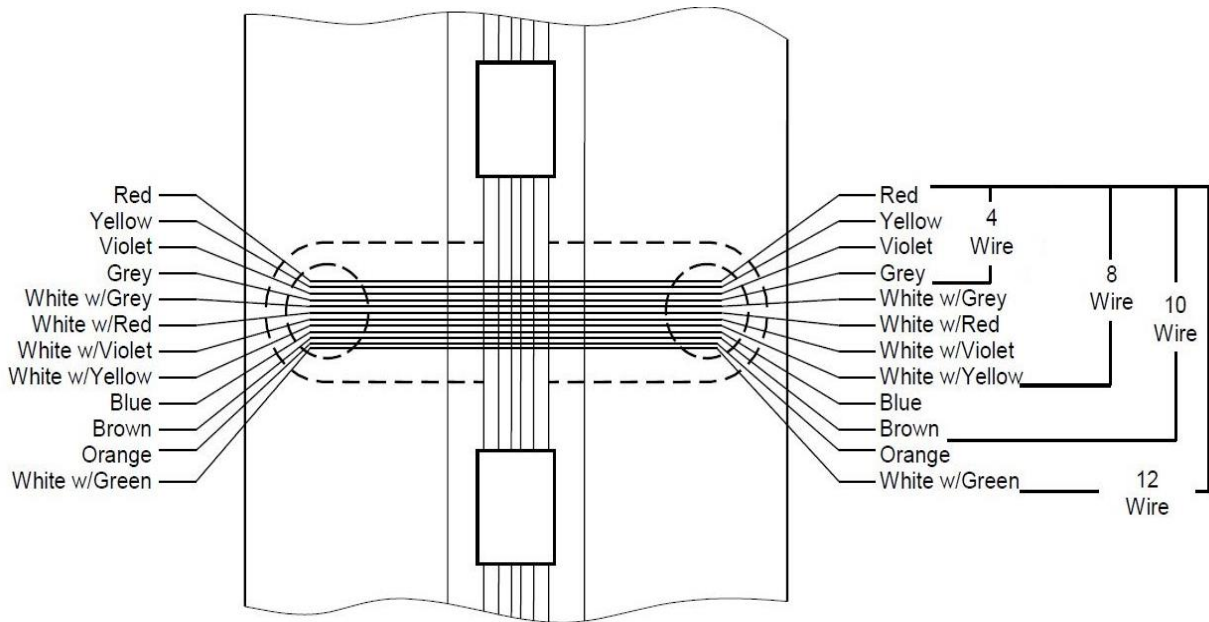


Table 2

HINGE MODEL	TYPE	F	D1	D2
780-111	Concealed	15/16"	13/16"	-
780-112	Concealed	15/16"	15/16"	-
780-124	Concealed	15/16"	-	7/8"
780-224	Concealed	15/16"	-	7/8"
780-226	Concealed	15/16"	15/16"	-



MAXIMUM ELECTRICAL RATING CONTACT

Volts: 30V dc/ac
 Amperes: 3.5A Continuous
 16A Pulse (300ms)

Figure 2

Recommended: For current ratings greater than 1.0A, use two or more wires in parallel. Make sure same colored wires are connected properly on both sides of hinge.

EMN – Concealed Magnetic Switch

Door and Frame Preparation

For grout filled frame, install a Mortar Box (HAGER 430). Failure to do so will void the hinge warranty.

1. Prepare the door and frame for installation using the standard installation instruction sheet furnished with the hinge, but do not attach the hinge at this time.
2. Locate the wired switch assembly. Peel the adhesive liner from the face of the flange. Attach it in the counter bore on the back of the hinge leaf that will be mounted to the *frame*. See Figure 3.
3. Locate the magnet assembly. The magnet is preset from the factory to activate properly for a metal frame and a metal square-edged door.

For the following conditions, the magnet assembly must be adjusted using a 5/32" hex key:

- Metal door with a beveled edge on the hinge side – turn the adjustment setscrew *clockwise* 1½ turn.
- Wooden door – turn the adjustment setscrew *counter-clockwise* 1½ turn.

Peel the adhesive liner from the face of the flange. Attach the magnet assembly in the counter bore on the back of the hinge leaf that will be mounted to the *door*. See Figure 3.

4. Drill a 3/4" diameter access hole in both the frame rabbet and the door edge at the proper location for the switch and magnet.

If a shim is utilized in the installation of the hinge, drill a corresponding 3/4" diameter access hole in the shim also. If there is a gap in the shim where the switch or magnet is located, the gap must be no greater than 3/4" so as to provide support for the plastic flange.

5. After drilling, deburr the holes to prevent damage to the wire leads.

Installation

1. Attach the hinge to the *door* per the standard installation instruction sheet supplied with the hinge.
2. Connect the system wiring to the appropriate leads of the switch. See Figure 3. Insulate the bare end of any unused wires.
3. Carefully slide the wires back through the access hole making sure they are placed so they will not be cut or pinched as installation is completed. Attach the hinge to the *frame* per the standard installation instruction sheet supplied with the hinge.
4. Certain factors (frame thickness, door thickness, reinforcements, door material) can slightly affect the sensitivity of the reed switch after installation. Check the circuit to make certain the switch is opening and closing as desired. If necessary, turn the adjustment setscrew in or out to overcome these factors (see Door and Frame Preparation, Step 2). The door must be removed to adjust the magnet.

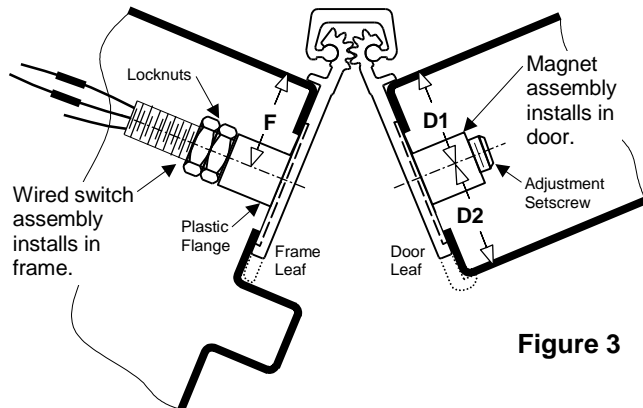


Figure 3

CLOSED LOOP SECURE

(Use black and white switch wires.)

Closed Loop Secure hinges are wired so that when the door is closed (secured) the EMN switch is closed (passes current). When the door opens, an open circuit is detected as an alarm.

Open Loop Secure

(Use blue and white switch wires.)

Open Loop Secure hinges are wired so that when the door is closed (secured) the EMN switch is open (does not pass current). When the door opens, a closed circuit is detected as an alarm.

HINGE MODEL	F	D1	D2
780-111	1"	7/8"	-
780-112	7/8"	7/8"	-
780-124	15/16"	-	7/8"
780-224	15/16"	-	7/8"
780-226	1"	1"	-

SWITCH INFORMATION

Voltage Rating: 200VDC
 Current Rating: 500mA
 Switch Function: SPST-NO

