

LA GARD

PRODUCT BULLETIN

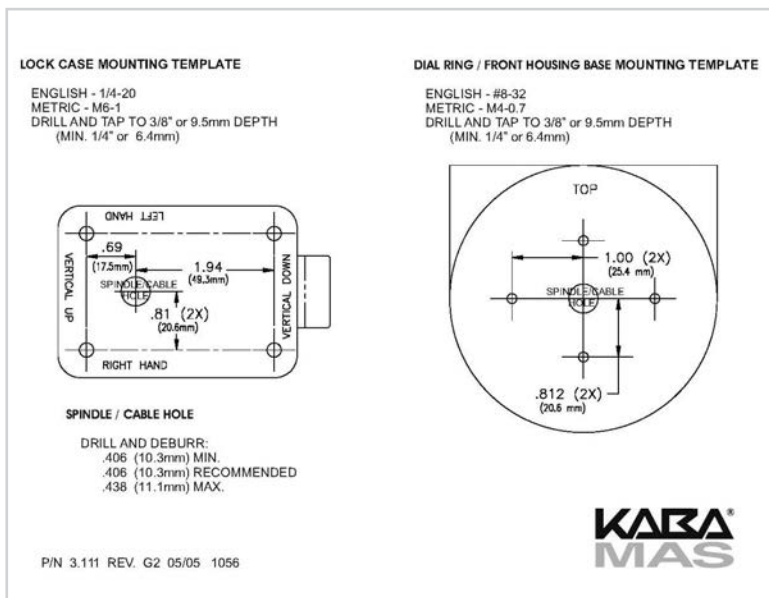
PRODUCT: LA GARD Basic & Gard Series
SUBJECT: New LA GARD Model 4715 Input Unit
BULLETIN: #26
DATE: 01/04/2016

The new LA GARD Model 4715 Input Unit for use with the LA GARD Basic & Gard Series locks, has been released for limited production quantities with expectations to be in full production in July 2015. The new Input Unit can serve as a replacement for the LA GARD Model 3715 Input Unit and also for the LA GARD Model 3710 with a slight variation in installation.



The installation drill footprint is the same as for the Model 3715 Input Unit. The shoulder mounting screws for the Input Unit run on the vertical line making the 4715 a drop-in replacement for the 3715.

To use the 4715 as a replacement for the 3710, you would tap the vertical mounting holes rather than the horizontal mounting holes in the 4-hole drill pattern.



The battery connection for the Model 4715 is located beneath the backplate and can be accessed through an opening in the backplate itself.



The Model 4715 Input Unit has UL and VdS approval.

Note: VdS requirements have changed and it is no longer required to have tamper evident mounting with mounting screws underneath the keypad as on the Model 3710.

The Model 4715 Input Unit is available in the following finishes:

- 4715-BC - Bright Chrome
- 4715-SC - Satin Chrome
- 4715-BK - Black

The Model 3715 and 3710 Input Units will be discontinued once current inventory is depleted.

Kaba Access and Data Systems Americas offers comprehensive solutions for security at access points to buildings, containers, as well as for recording personal and enterprise data. Kaba's products utilize the latest technologies including remote access, biometrics, wireless, and GPS. Our brands include Kaba®, LA GARD, Simplex®, PowerPlex, and E-Plex®.

Kaba Access & Data Systems Americas • 1.800.849.8324 • www.kaba-adsamericas.com