

m-Genius

Mechanical Interconnect Lock



4" Entry lock with turn button shown

Mechanical Specifications

- Door Thickness: 1-3/4"
- Backset: 2-3/8" - 2-3/4" adjustable
- Clutched trim
- Latch Bolt: 1/2" throw stainless steel deadlocking
- Deadbolt: 1" stainless steel deadbolt
- Faceplates: 1" x 2-1/4" or 1-1/8" x 2-1/4" with radius corners
- Latch Strike: Full lip with radius corners
- Deadbolt Strike: 1-1/8" x 2-3/4" radius corners with security underplate
- Escutcheon: Zinc front cover and steel back cover
- Lever: Zinc or stainless steel
- 4" or 5-1/2" deadbolt center to latch bolt center distance available
- Available Storeroom Function (always locked) or Entry Function (with Toggle passage)

Available Lever Styles



Sentinel (S)



Quest (Q)

Code Compliance

- Americans with Disabilities Act
- EU RoHS Directive 2002/95/EC
- ANSI/BHMA A156.12 Grade 1
- UL 10C 3 Hour Rated

m-Genius

Mechanical series of the Genius family

Mechanical Interconnect lock with a unique and patented design

A commercial grade Interconnect Lock that offers the safety and convenience of simultaneous retraction of the latch and deadbolt during entry or egress. Extending the deadbolt is done by simply lifting the inside or outside lever, no key required to securely lock your door. Only one key to unlock both latch and deadbolt.



- ▶ Latch can always be locked, so that when shut the door it automatically locked. Deadbolt is extended for added security.

- ▼ Clutching lever design: When locked, the outside lever will rotate but will not retract the latch or deadbolt.



- ▶ A unique, secure and stylish mechanical interconnect lock that can retract the deadbolt and latch bolt in a single motion.



▼
One unique feature is that the deadbolt can be extended by simply lifting the inside or outside lever.

▼
When thumb-turn is tilting toward the door jamb it indicates the deadbolt is extended for added security.



▼
Inside lever will simultaneously retract the latch bolt and deadbolt **to comply with single motion egress fire code.**

Outside lever, when unlocked, will simultaneously retract the latch bolt and deadbolt for easy entry.



▼
Optional inside turn (Toggle Function) will allow the user to toggle between locked or unlocked on the outside lever.

Turn button on inside lever
(Toggle Function)



Outside lever locked position



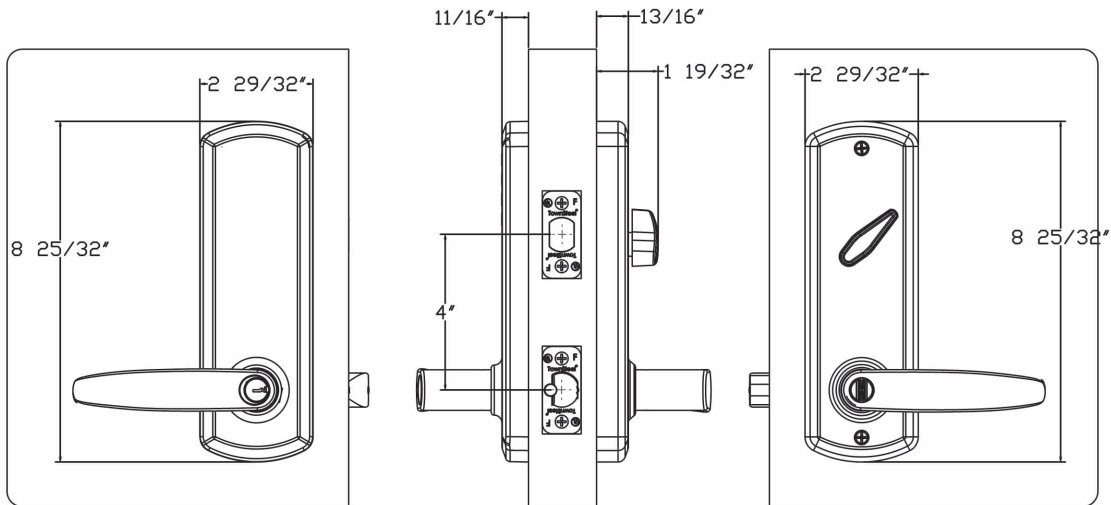
Outside lever unlocked position

m-Genius

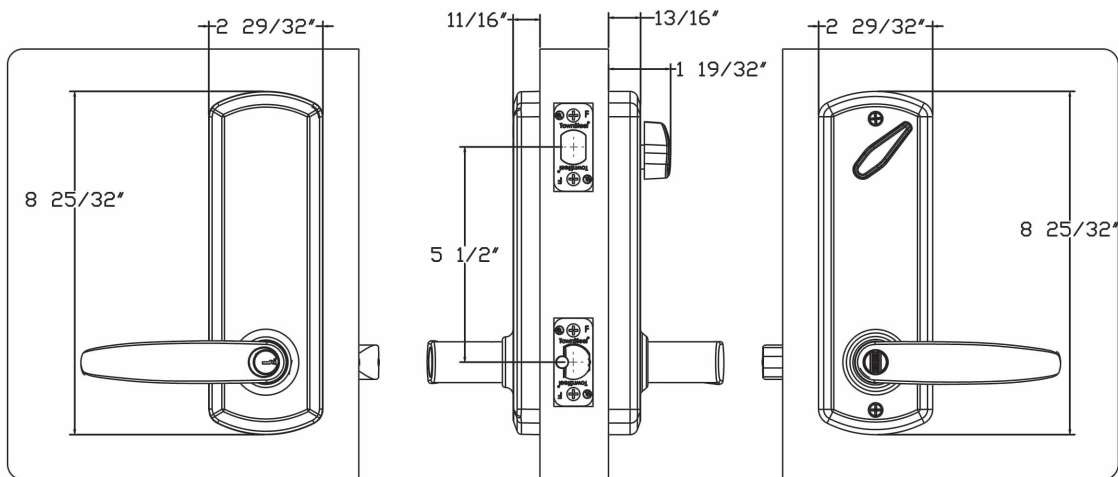
Mechanical Interconnect Lock (available in 4" or 5 1/2" spacing)



4"
(40 lockbody)



5 1/2"
(55 lockbody)



How To Order

Series	m-Genius
Function	S: Storeroom / T: Entry (Toggle Function)
Lever Style	S: Sentinel / Q: Quest
Handing	RH / LH / RHR / LHR
Faceplates	N: 1" x 2-1/4" / W: 1-1/8" x 2-1/4"
Lockbody	40: 4" / 55: 5-1/2"
Finish	SN: US15, Satin Nickel / FB: US19, Flat Black SC: US26D, Satin Chrome / Or special color upon request
Cylinder	SC- 6 pin Schlage® C keyway, standard KW10- Kwikset® 6 pin (please specify) Cylinders below are available by special order SFIC- Small format IC (SFIC) without core SFIC6 or SFIC7- Best® IC core, 6 or 7 pin Best® "A" keyway SLFIC- Schlage® large format IC less core CLFIC- Corbin® 6 pin large format IC less core L6- High security 6 pin cylinder with TownSteel® "L" keyway L7- High security 7 pin cylinder with TownSteel® "L" keyway

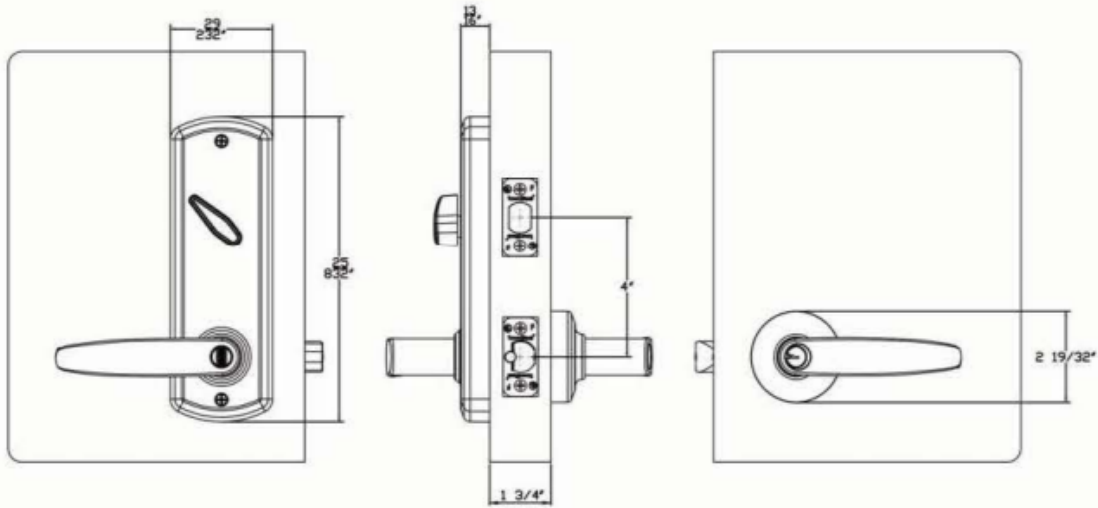
Lever Finish Lockbody
MGTT-SLHSC-W-55-SC
 ↓ ↓ ↓ ↓
 Function Handing Faceplates Cylinder

m-Genius-C

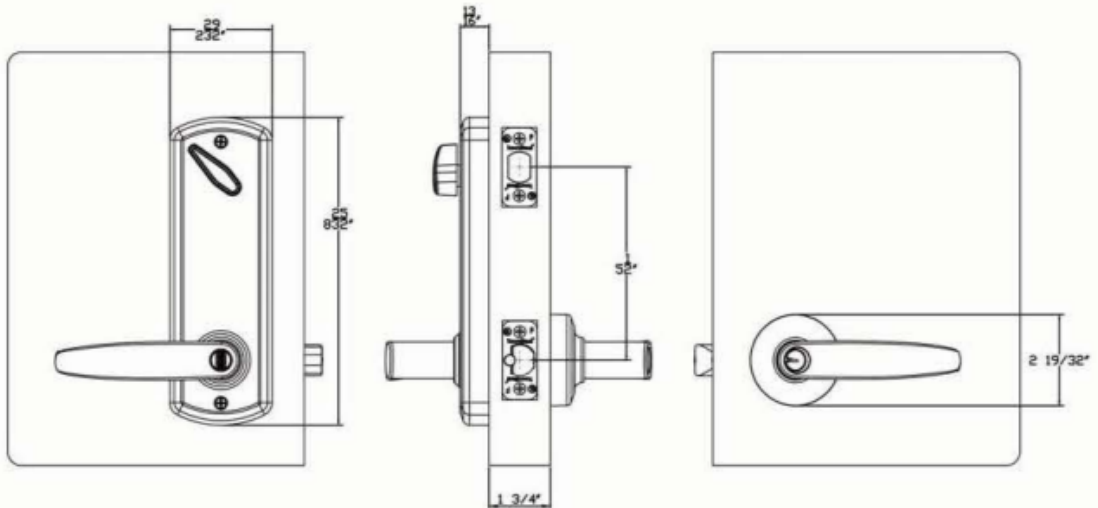
Mechanical Interconnect Lock (available in 4" or 5 1/2" spacing)



4"
(40 lockbody)



5 1/2"
(55 lockbody)



How To Order

Series	m-Genius-C
Function	S: Storeroom / T: Entry (Toggle Function)
Lever Style	S: Sentinel / Q: Quest / W: Wolfsburg / WR: Wolfsburg R
Handing	RH / LH / RHR / LHR
Finish	619: US15, Satin Nickel / 622: US19, Flat Black 626: US26D, Satin Chrome / Or special color upon request
Lockbody	40: 4" / 55: 5-1/2"
Faceplates	N: 1" x 2-1/4" / W: 1-1/8" x 2-1/4"

Cylinder	Key in lever option:
	SC Schlage® 6-pin with "C" keyway, standard
	K6 Kwikset® 6-pin with "KW" keyway
	HS6 High security 6-pin with TownSteel "L" keyway
	SF6 Best® 6-pin, IC core with "A" keyway
	SF7 Best® 7-pin, IC core with "A" keyway
	HS7 High security 7-pin, IC core with TownSteel "L" keyway

Less cylinder core option:

SF	Schlage® small format IC, SFIC
SLF	Schlage® large format IC, SLFIC
CLF	Corbin® large format IC, CLFIC

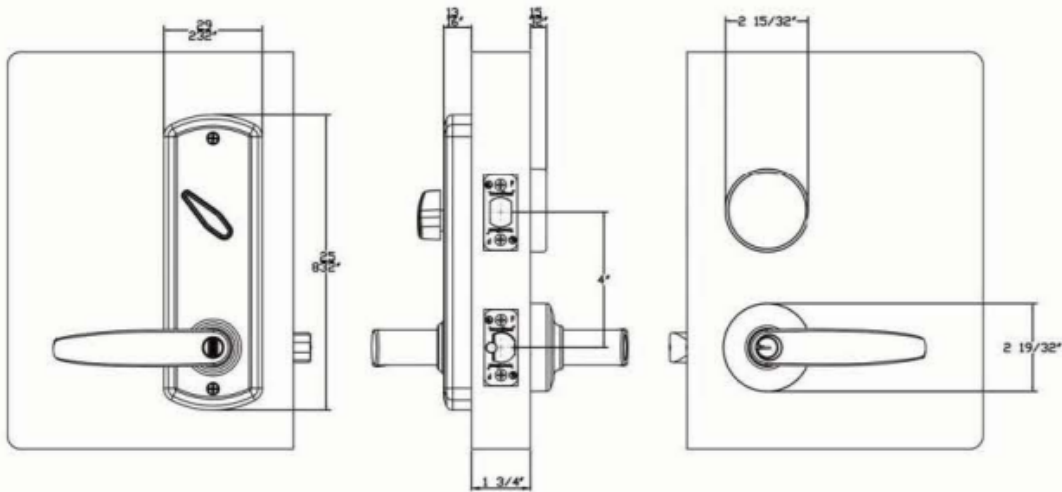
Lever Finish Faceplates
MGC**TT**-**S****LH****626**-**55****W****SC**
 Function Handing Lockbody Cylinder

m-Genius-S

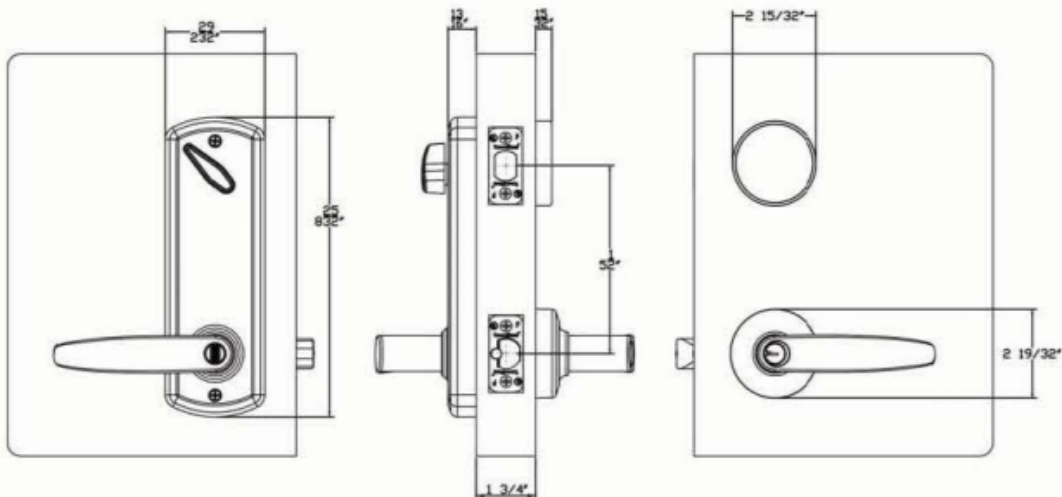
Mechanical Interconnect Lock (available in 4" or 5 1/2" spacing)



4"
(40 lockbody)



5 1/2"
(55 lockbody)



How To Order

Series	m-Genius-S
Function	S: Storeroom / T: Entry (Toggle Function)
Lever Style	S: Sentinel / Q: Quest / W: Wolfsburg / WR: Wolfsburg R
Handing	RH / LH / RHR / LHR
Finish	619: US15, Satin Nickel / 622: US19, Flat Black 626: US26D, Satin Chrome / Or special color upon request
Lockbody	40: 4" / 55: 5-1/2"
Faceplates	N: 1" x 2-1/4" / W: 1-1/8" x 2-1/4"
Cylinder	<p>Key in lever option:</p> <ul style="list-style-type: none"> SC Schlage® 6-pin with "C" keyway, standard K6 Kwikset® 6-pin with "KW" keyway HS6 High security 6-pin with TownSteel "L" keyway SF6 Best® 6-pin, IC core with "A" keyway SF7 Best® 7-pin, IC core with "A" keyway HS7 High security 7-pin, IC core with TownSteel "L" keyway <p>Less cylinder core option:</p> <ul style="list-style-type: none"> SF Schlage® small format IC, SFIC SLF Schlage® large format IC, SLFIC CLF Corbin® large format IC, CLFIC

Lever Finish Faceplates
 ↑ ↑ ↑
MGSTT-SLH626-55WSC
 ↓ ↓ ↓
 Function Handing Lockbody Cylinder