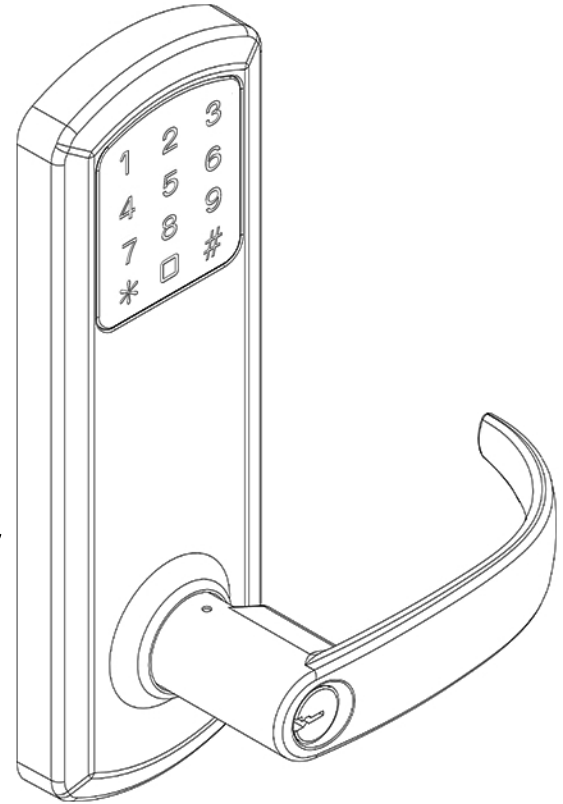


# TownSteel

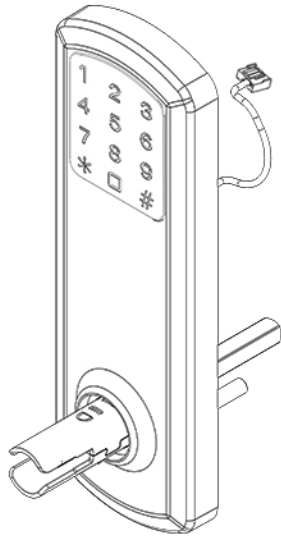
## e-Genius 4000/5000 Series

### Lock Installation

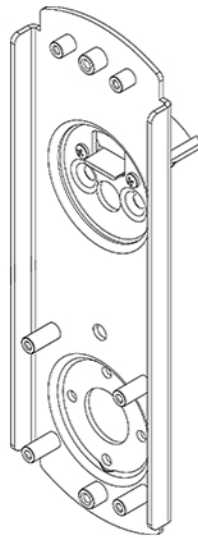
### 4" Center To Center



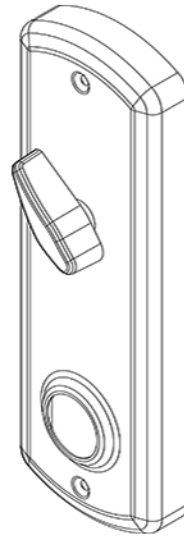
Package Content	2
Getting Started	4
Handing Information	5
Door Preparation	6
Step 1 - Adjust Latch Bolt	7
Step 2 - Set Handing On Latch Bolt	8
Step 3 - Adjust Deadbolt	9
Step 4 - Install Deadbolt And Latch Bolt	10
Step 5 - Install Outside Lever	11
Step 6 - Install Outside Assembly	12
Step 7 - Install Backplate	13
Step 8 - Install Spindle And Connect Battery Tray	14
Step 9 - Set Handing On Battery Tray	15
Step 10 - Install Batteries	16
Step 11 - Install Escutcheon And Inside Lever	17
Step 12 - Install Strikes	18
Addendum A - Change Handing Information	19
Addendum B - Remove Levers	20
Addendum C - Change Handing On Outside Assembly	21
Exploded View Of Lock	22
Troubleshoot	23



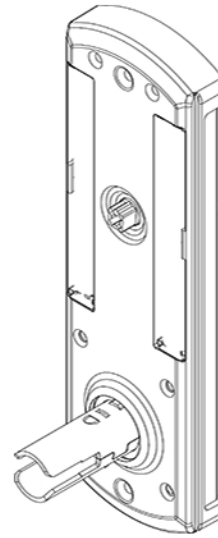
Outside Assembly



Backplate



Inside Cover



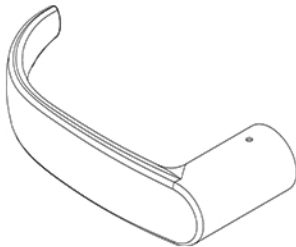
Battery Tray Assembly



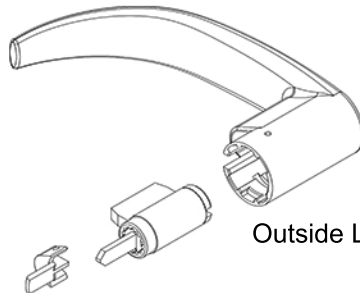
Thumb Turn Spindle



Lever Removal Tool

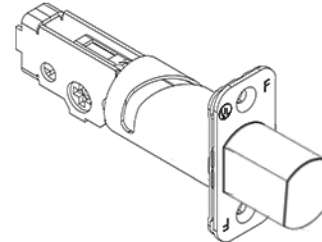


Inside Lever

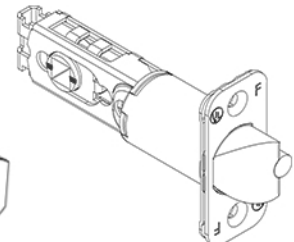


Cylinder Retainer & Cylinder

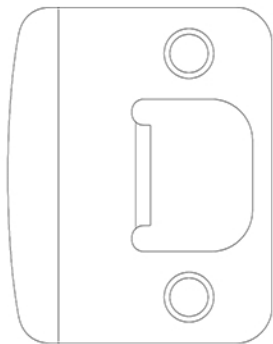
Outside Lever



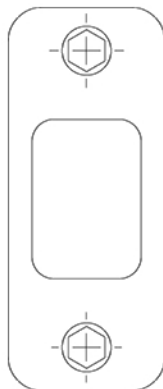
Deadbolt



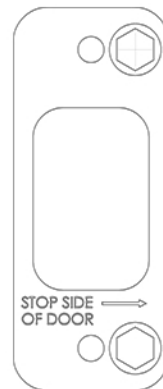
Latch Bolt



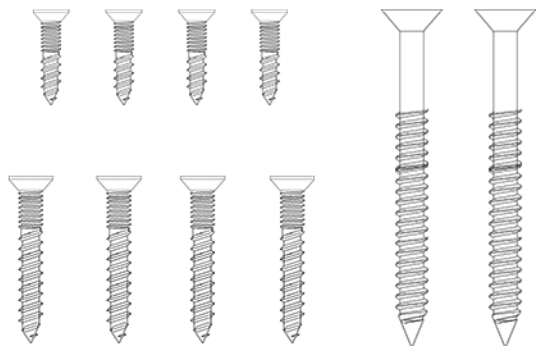
Latch Bolt Strike



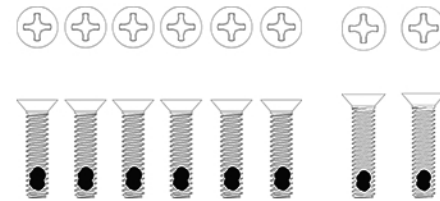
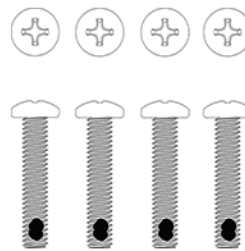
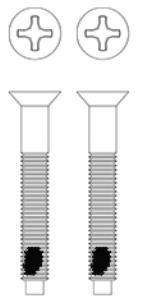
Deadbolt Strike



Deadbolt  
Armor Strike



Screw Pack For Faceplate  
and Strike Installation



Screw Pack For Lock Assembly



## General Operation

This is an interconnect lock. Inside is always unlocked. Deadbolt can be extended from inside or outside by lifting lever or using thumbturn on the inside. From inside, rotating lever down will retract both bolts. From the outside, presenting a valid user code or keycard and rotating the lever down will retract both bolts. Outside latch bolt is always locked unless a valid code is used or unit is programmed to passage mode.

**Key Override** - Rotating the key clockwise approximately 90° will allow you to rotate the lever and retract both bolts. The key will not retract the bolts. Return key back to home position to pull out key.

## Tools Needed For Lock Installation

Phillips screw driver

Flat Head screw driver

*Note:*

*Do not use a power drill for installation of lock as it can damage lock.*

## Tools May Be Needed For Door Preparation

Tape Measure

Power Drill (For drilling holes ONLY)

1" and 2 1/8" Drill Bits

Wood Chisel

Pencil

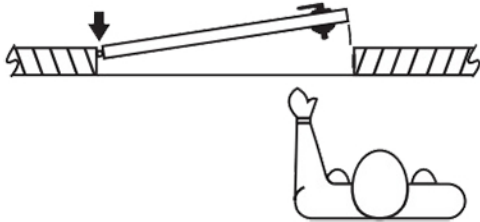
7/64 hex wrench

When batteries are installed and lock is ready to be operated, refer to programming guide for programming instruction.

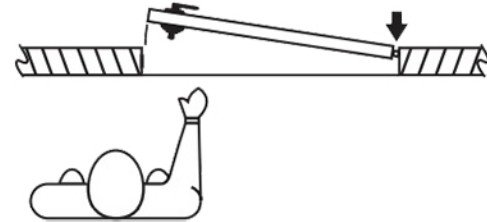
Interconnect lock is handed. See handing information below.

## Handing Information From Outside

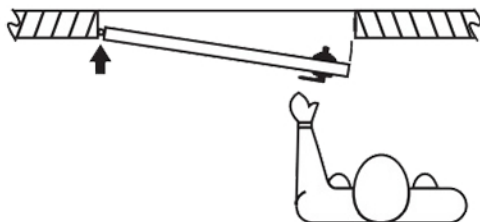
If hinges are on the left,  
and door opens inward,  
it is a **Left Hand Door(LH)**.



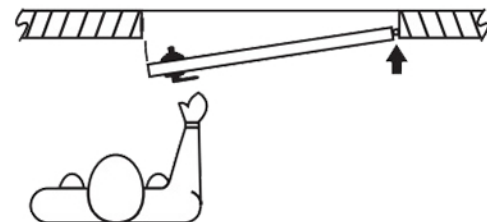
If hinges are on the right,  
and door opens inward,  
it is a **Right Hand Door(RH)**.



If hinges are on the left,  
and door opens outward,  
it is a **Left Hand Reverse Door(LHR)**.

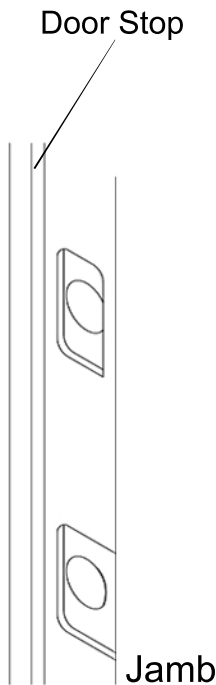
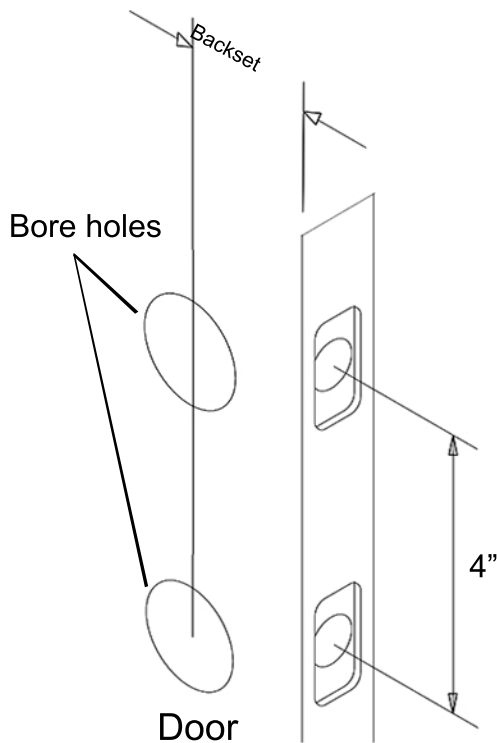


If hinges are on the right,  
and door opens outward,  
it is a **Right Hand Reverse Door(RHR)**.



If handing needs to be changed, see **Addendum A** (Page 19).

Prepare door and jamb per template provided. Backset is adjustable for 2  $\frac{3}{4}$ " or 2  $\frac{3}{8}$ ". The backset is the dimension from the edge of the door to centerline of the lock. This lock requires a 4" center to center distance between the bore holes.

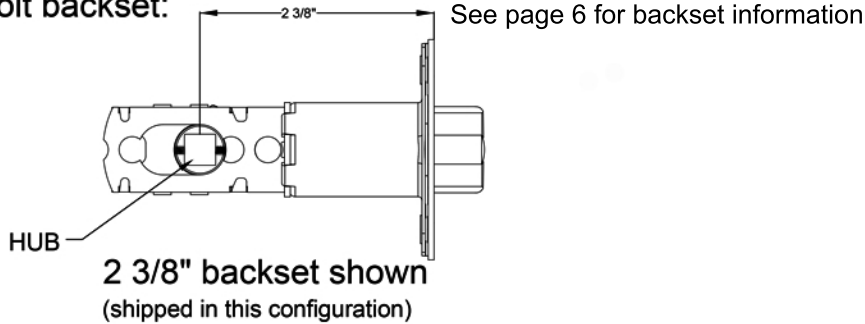


## IMPORTANT:

Door stop is where the door will stop when normally operated. Door stop includes any gasket, smoke seal, or bumpers. Position of strikes are to be measured from where the door actually stops. The deadbolt, when thrown, cannot have any interference with the deadbolt strike. If there is any interference, strikes need to be adjusted for lock to work properly.

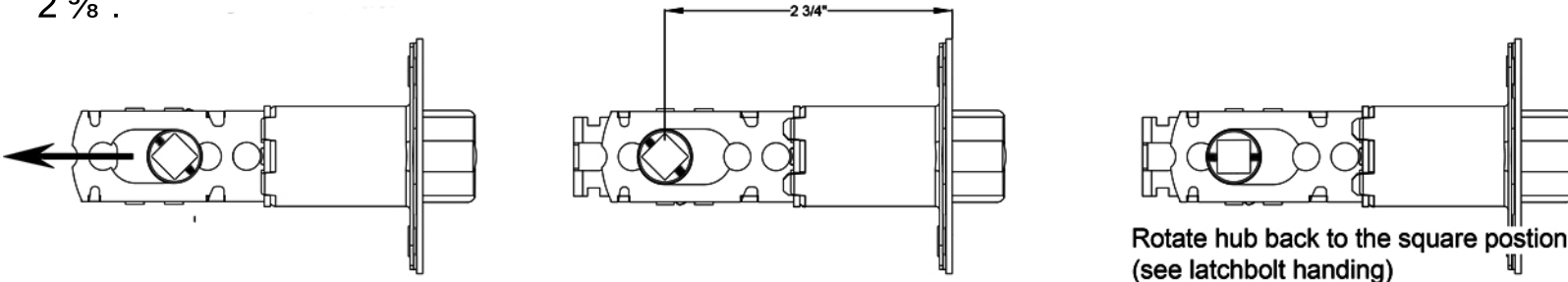
Latch installation - Latch handing and backset needs to match your door. See below for setting backset and handing.

## Latchbolt backset:



Scan QR code for a video on latch handing and backset

In order to adjust from 2 3/8" to 2 3/4", rotate hub on the diagonal as shown below. Pull on the hub to extend to 2 3/4" in the direction noted by the arrow. Push hub to the right to go back to 2 3/8".

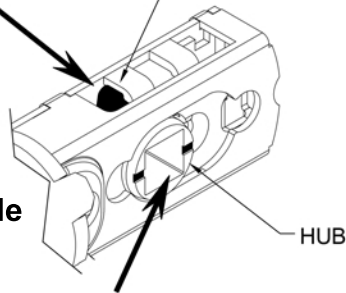


# Step 2

Latchbolt handing: See below showing the hub rotation for the handing of your door - RH, LH, RHR, LHR. See page 5 for door handing information.

Note the position of the cam on the hub when setting handing.

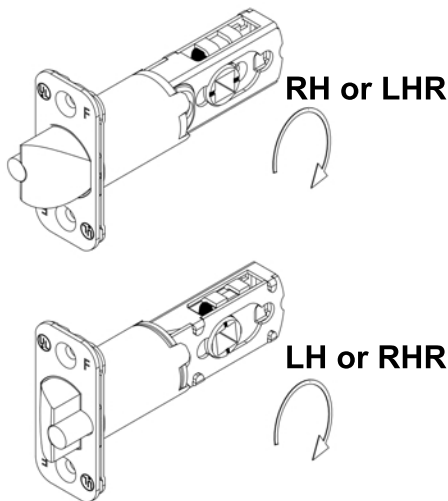
CAM



**RH or LHR**  
**2 3/8" example**

HUB

Note the position of the markings on the hub when setting handing.



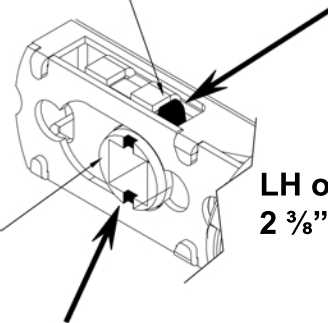
**RH or LHR**

**LH or RHR**

Rotate hub as noted until it stops as shown (stop rotation when cam is in noted position)

Note the position of the cam on the hub when setting handing.

CAM



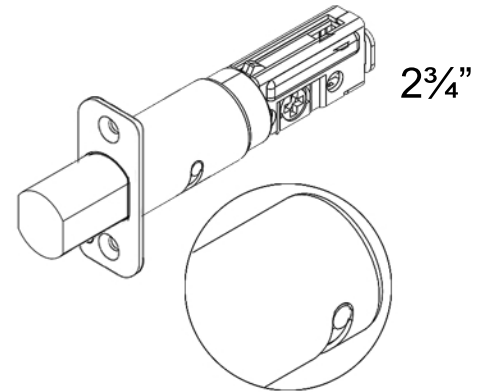
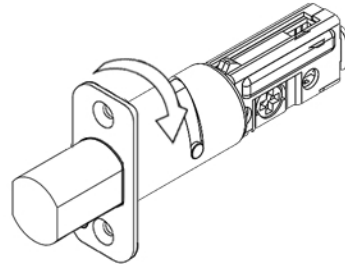
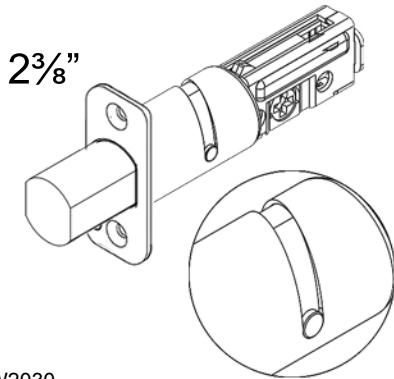
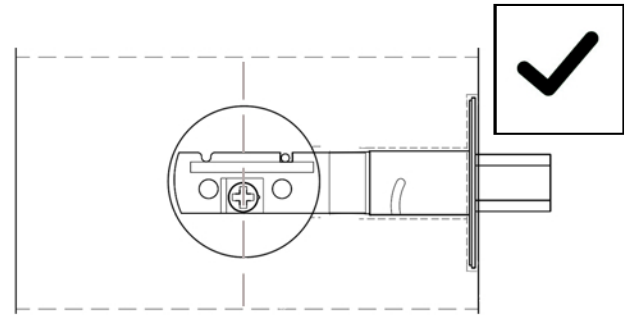
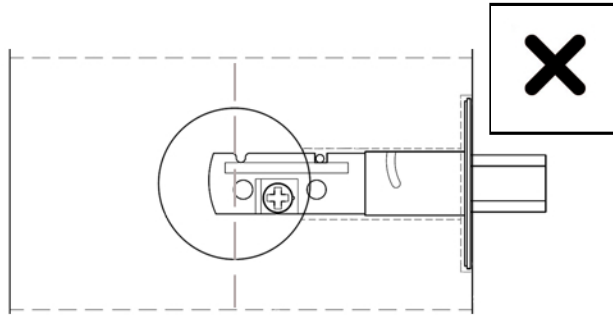
**LH or RHR**  
**2 3/8" example**

HUB

Note the position of the markings on the hub when setting handing.

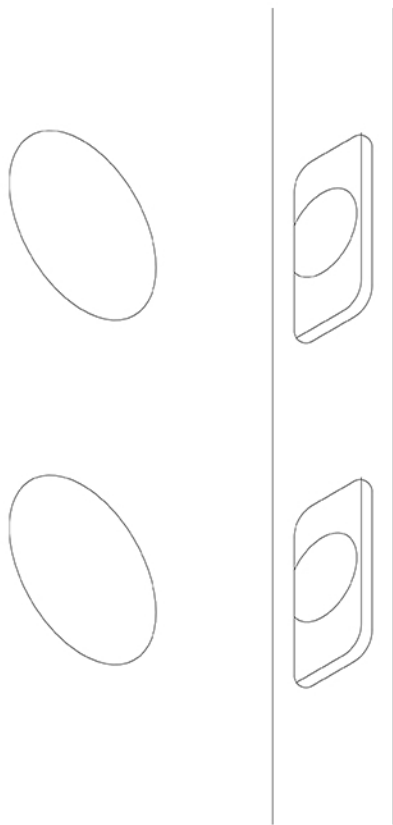
# Step 3

Place the deadbolt in the door frame cutout and make sure the cross shaped hub is centered. Otherwise, look below on how to adjust the deadbolt by rotating the deadbolt face.

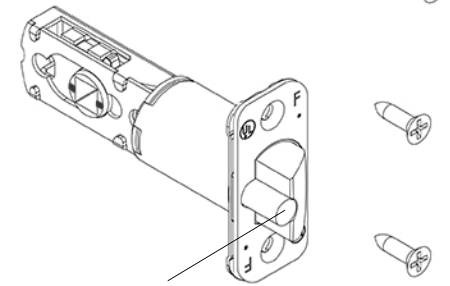
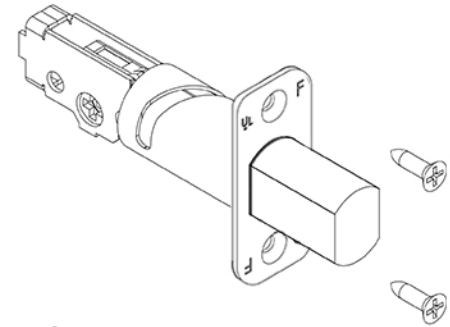


# Step 4

Extend deadbolt. Install deadbolt, deadbolt faceplate, and latch bolt as shown (RH Shown). Secure with 4 screws.

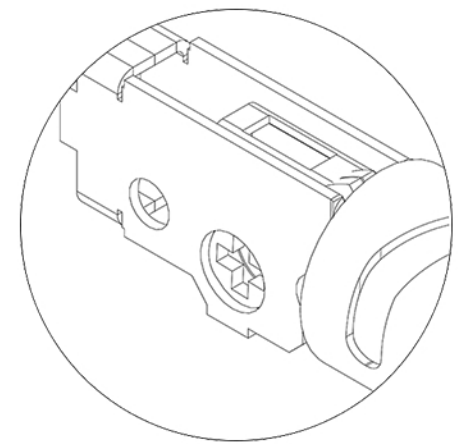


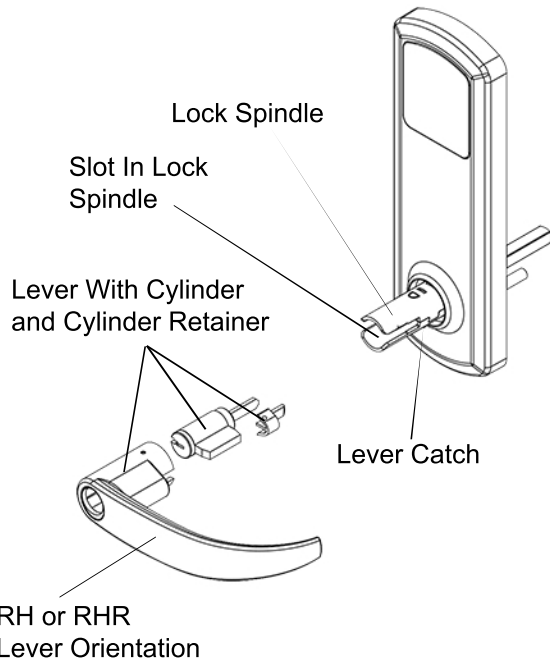
Deadbolt



Latch Bolt

Position cross as shown below.

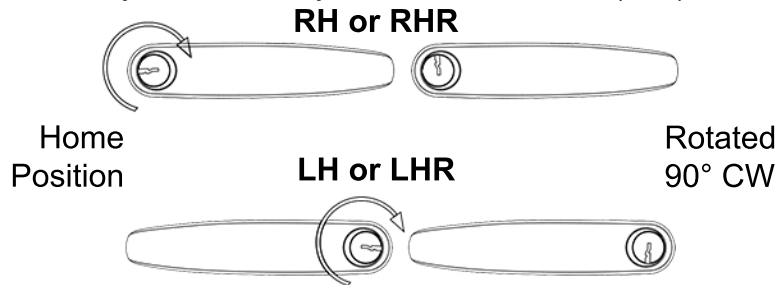




Scan QR code for a video on installing the outside lever

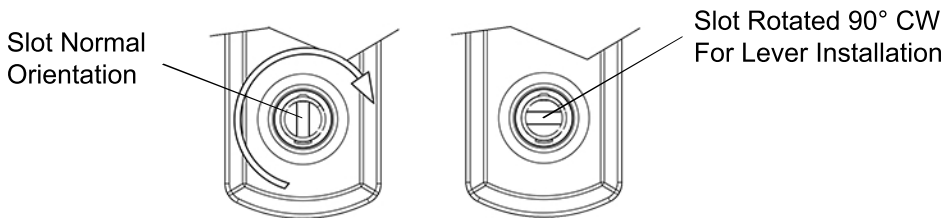
## Install Outside Lever

1) Insert key and rotate cylinder 90° clockwise(CW).



*Note: LH lever and RH lever orientation*

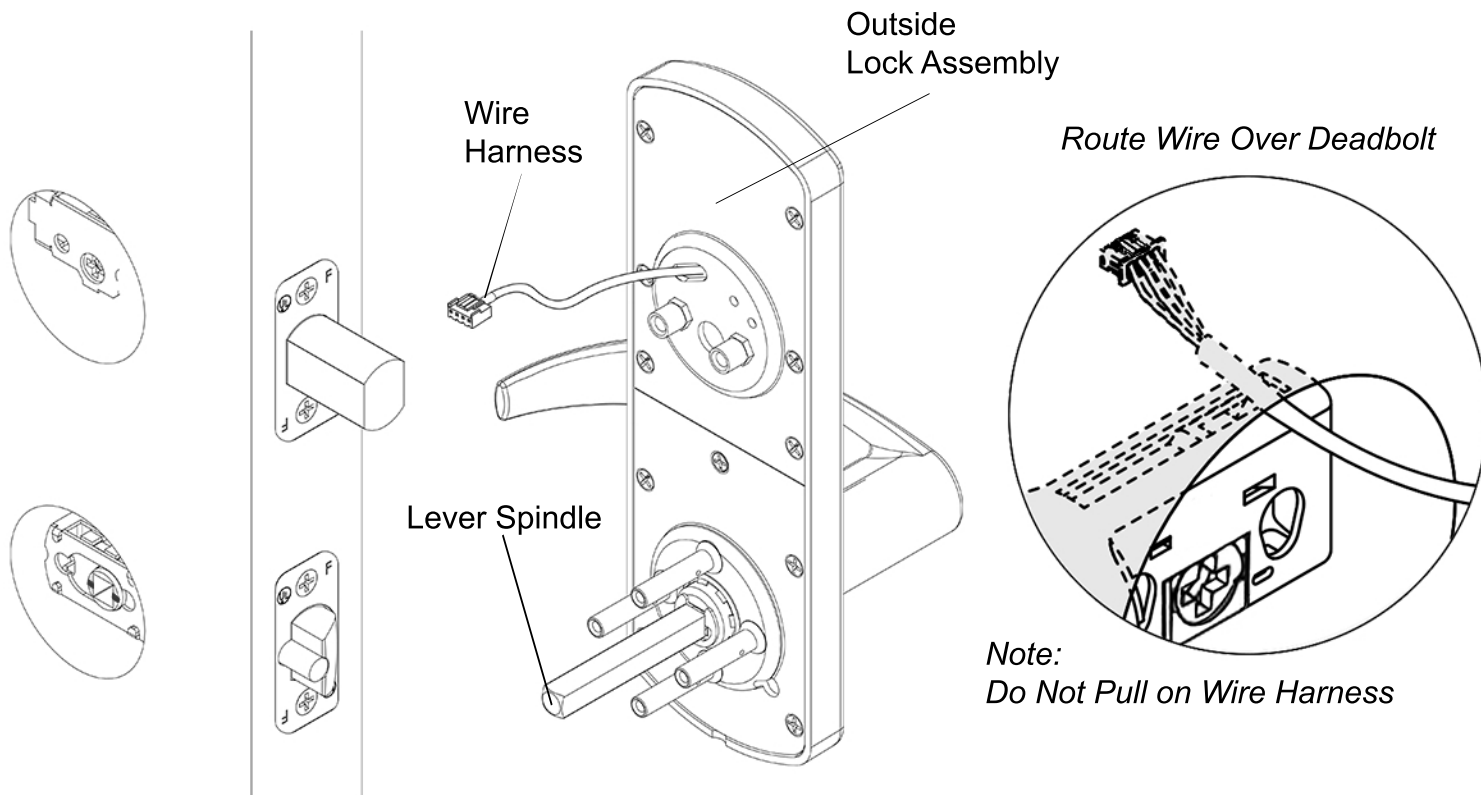
2) Use a flat head screw driver to rotate slot in spindle 90° CW on outside assembly.



3) With key inserted and rotated 90° CW, push lever onto outside assembly while the slot is also rotated 90° CW. Lever catch is on underside of lever and it should snap into place. Rotate keyway back to home position and pull out key. Pull lever to make sure lever is secure.



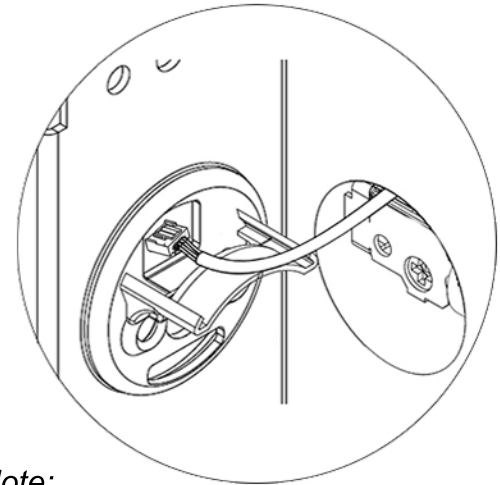
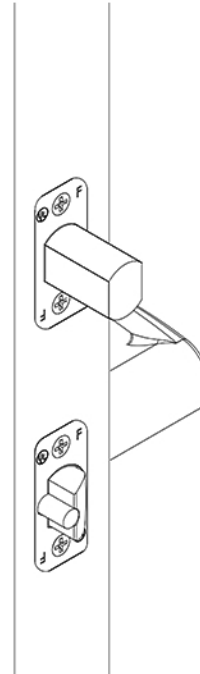
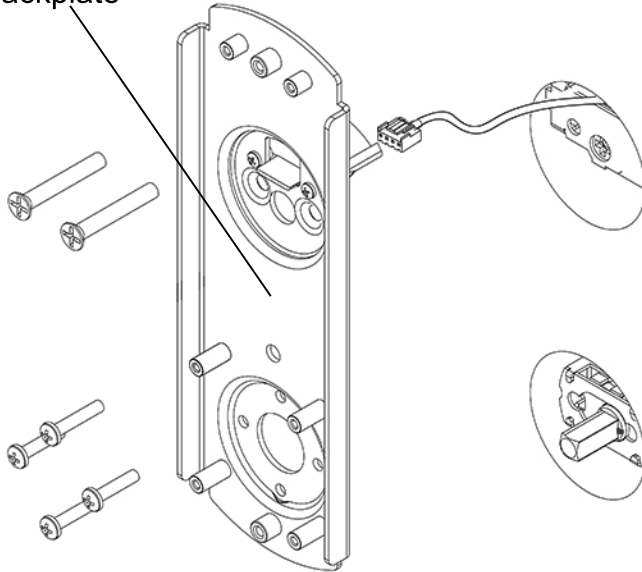
Align outside lock assembly and install onto door face. Lever spindle goes through latch hub. Carefully guide wire harness through and over deadbolt.



# Step 7

Align backplate and install on the door. Guide the wire harness above the shelf on the backplate and down through the slot. Secure top of backplate with 2 screws that go through the deadbolt - do not tighten until all screws on the backplate are installed. Secure bottom of backplate with 4 screws. Tighten all screws on the backplate.

Backplate

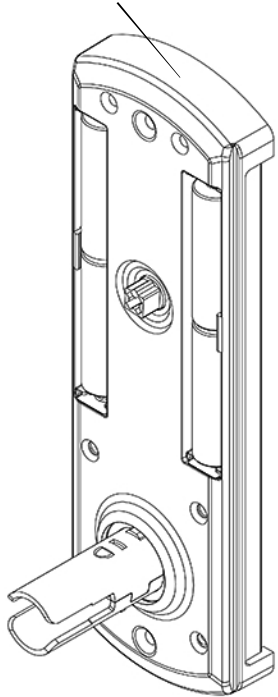


*Note:*  
*Do Not Pull On Wire Harness*

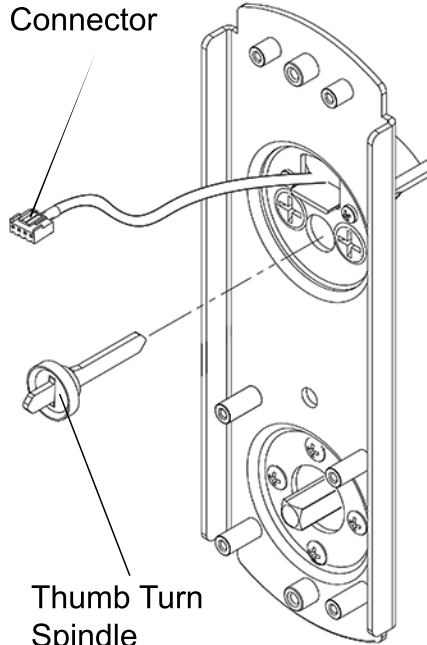
# Step 8

Install thumb turn spindle as shown. Plug in connector from lock assembly into plug on back of battery tray.

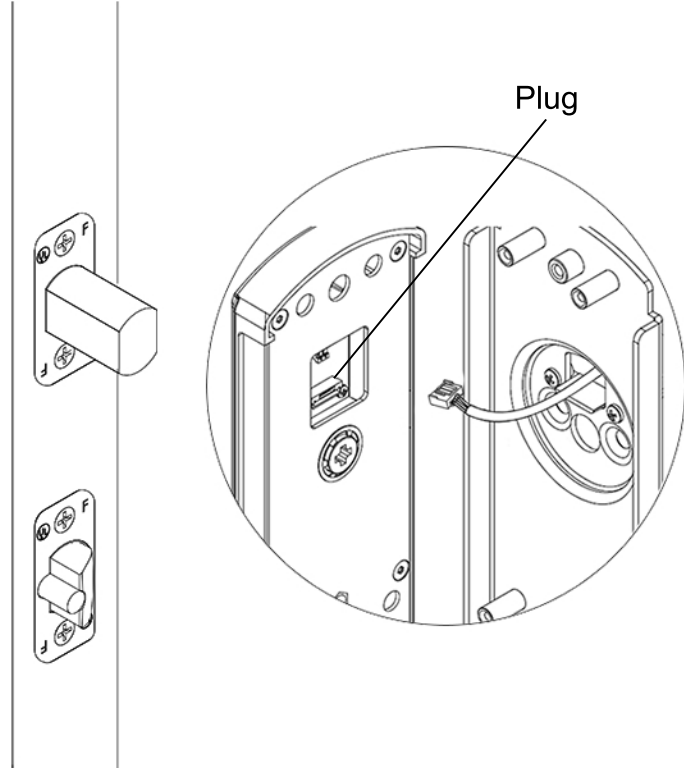
Battery Tray



Connector



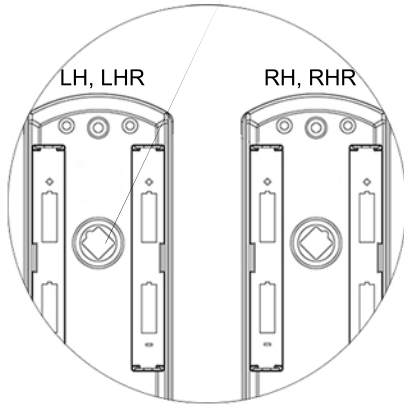
Thumb Turn Spindle



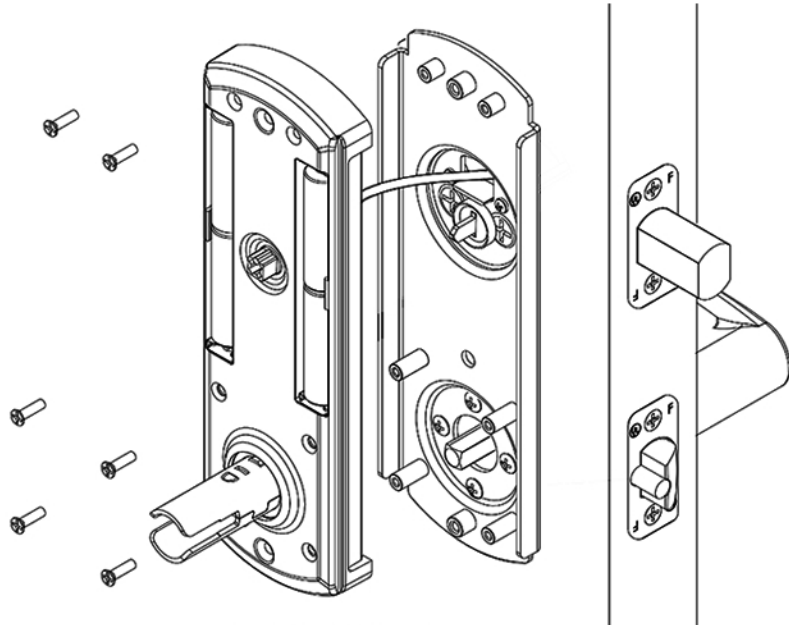
Plug

Set handing on battery tray. Push excess wire into hole over the backplate. Battery tray should sit flush without interference. Do not pinch wire harness. Secure battery tray with 6 screws.

Set handing on battery tray as shown below.



*Note: Confirm deadbolt is extended and thumb turn spindle is installed.*

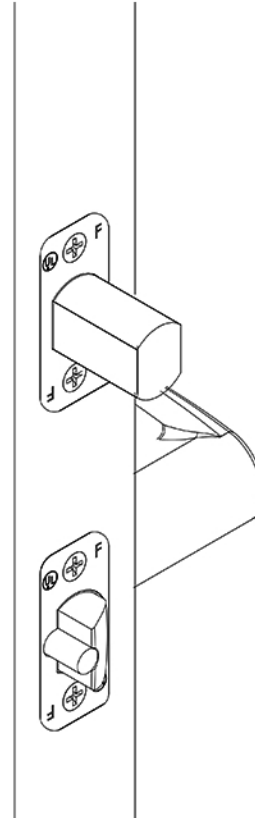


Scan QR code for a video on setting handing

# Step 10

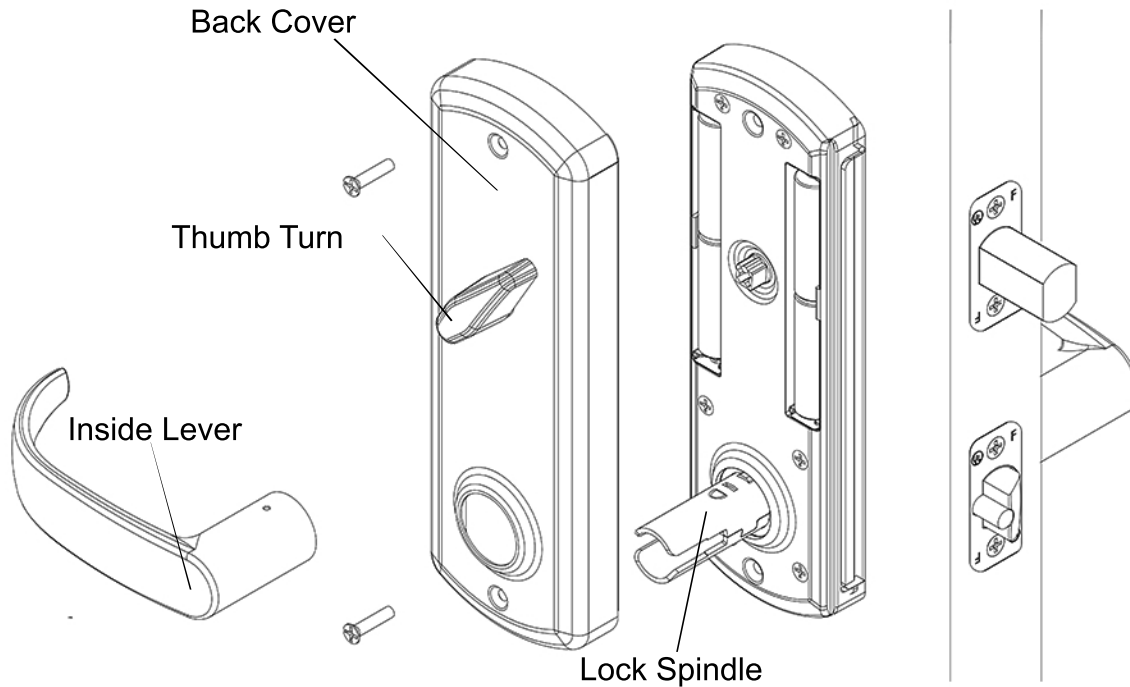
Install 4 AA-alkaline batteries into battery tray. Use only alkaline batteries for interconnect lock.

*When batteries are installed, you will hear motor move, see the keypad LED light up, and hear a quick series of beeps.*

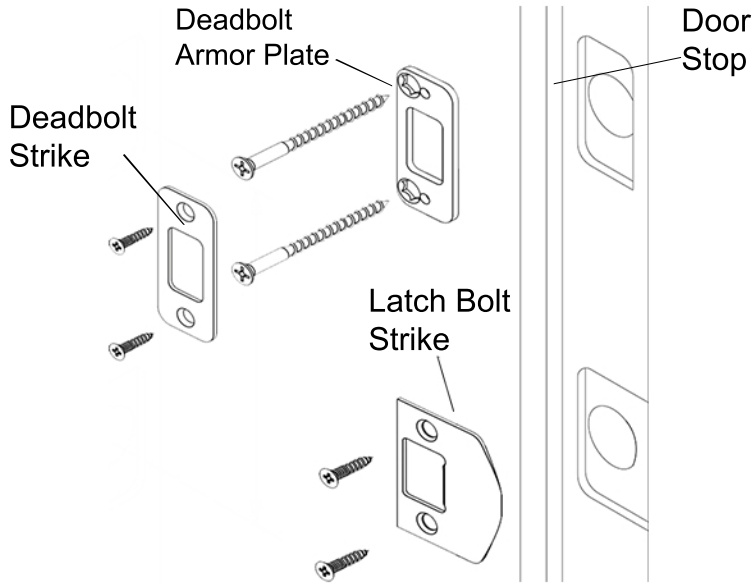


# Step 11

Place back cover over battery tray. Make sure the thumb turn on the back cover is oriented properly. Align thumb turn until it falls into place without forcing it. Secure back cover with 2 screws. Slide inside lever onto lock spindle. Lever catch is on underside of lever and it should snap into place. Pull lever to make sure it is secure.



Install deadbolt armor plate, deadbolt strike, and latch bolt strike. Secure with 6 screws.



*Remember, the door stop is where the door will stop when normally operated. Stop includes any gasket, smoke seal, or bumpers. Position of strikes are to be measured from where the door actually stops. The deadbolt, when thrown, cannot have any interference with deadbolt strike. If there is any interference, strikes need to be adjusted for the lock to work properly.*

## **IMPORTANT:**

Make sure the lock operates properly before closing the door. From inside, lifting the lever should extend the deadbolt and rotating the lever down should retract both bolts. From outside, lifting the lever should extend the deadbolt. Wake up the keypad by swiping across the surface and enter 1-2-3-4-5-6-#. The LED will light red then green. Rotating the lever down should retract both bolts.

Changing the handing should not be needed. Lock is shipped with handing specified. See shipping confirmation or box for details.

If handing needs to be changed from Right Hand to Left Hand (Or Left Hand to Right Hand), handing must be changed on outside assembly. This entails changing a socket head screw on the back of outside assembly. Also, latch bolt and levers need to be adjusted.

See:

**Addendum C** *To change handing on outside assembly*

**Addendum B** *To remove and adjust levers*

**Step 2** *To adjust latch bolt*

If handing needs to be changed from Right Hand to Right Hand Reverse (Or Left Hand to Left Hand Reverse), only the latch bolt orientation needs to be changed.

See:

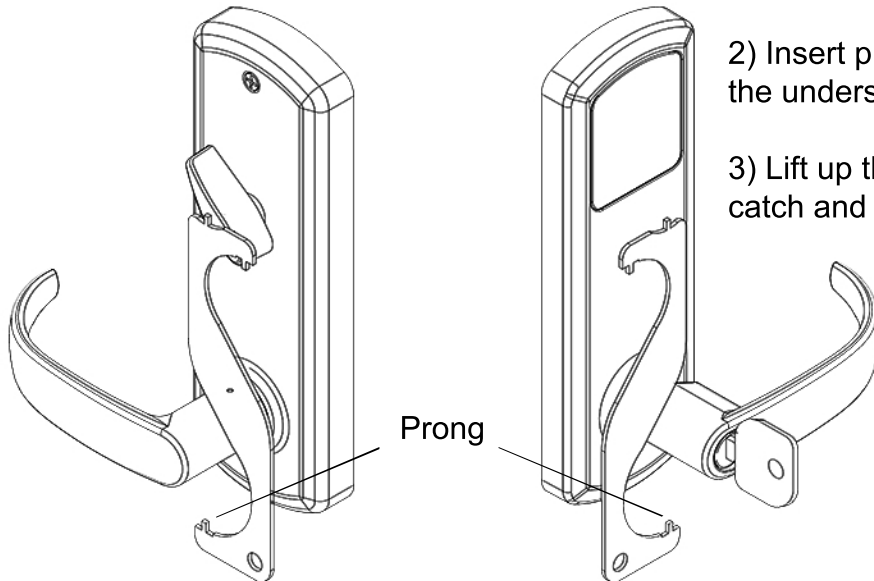
**Step 2** *In order to adjust latch bolt*



## Remove Inside Lever

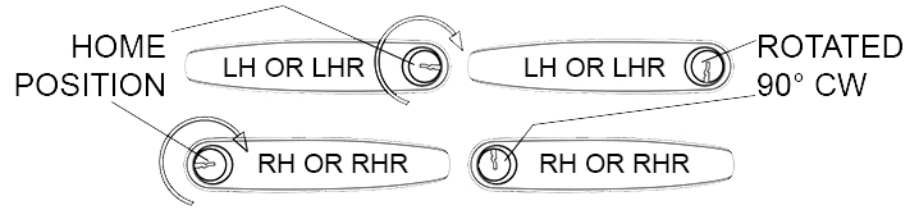
1) Insert prong on lever removal tool in hole on underside of lever.

2) Lift up the lever removal tool to depress the lever catch and pull the lever off.



## Remove Outside Lever

1) Insert the mechanical key and rotate it 90° clockwise.



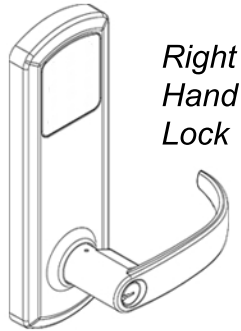
2) Insert prong on lever removal tool in the hole on the underside of the lever.

3) Lift up the lever removal tool to depress the lever catch and pull the lever off.

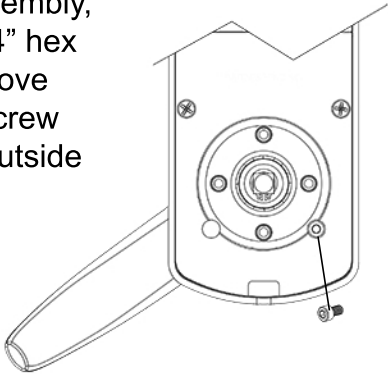
## Change Handing On Outside Assembly

For this example, we will be changing the handing of a right hand lock to a left hand lock.

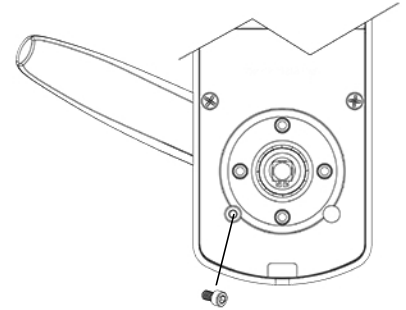
1) Remove lock assembly from door.



2) Rotate lever down on outside assembly, and use a 7/64" hex wrench to remove socket head screw from back of outside assembly.



3) To change handing, rotate lever up and install socket head screw on the left side of lock assembly.

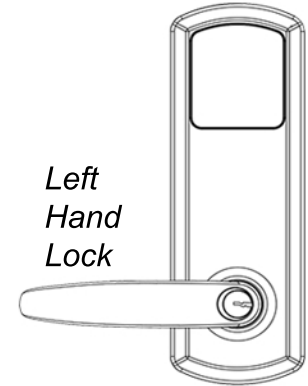


4) Re-install lock assembly on door.

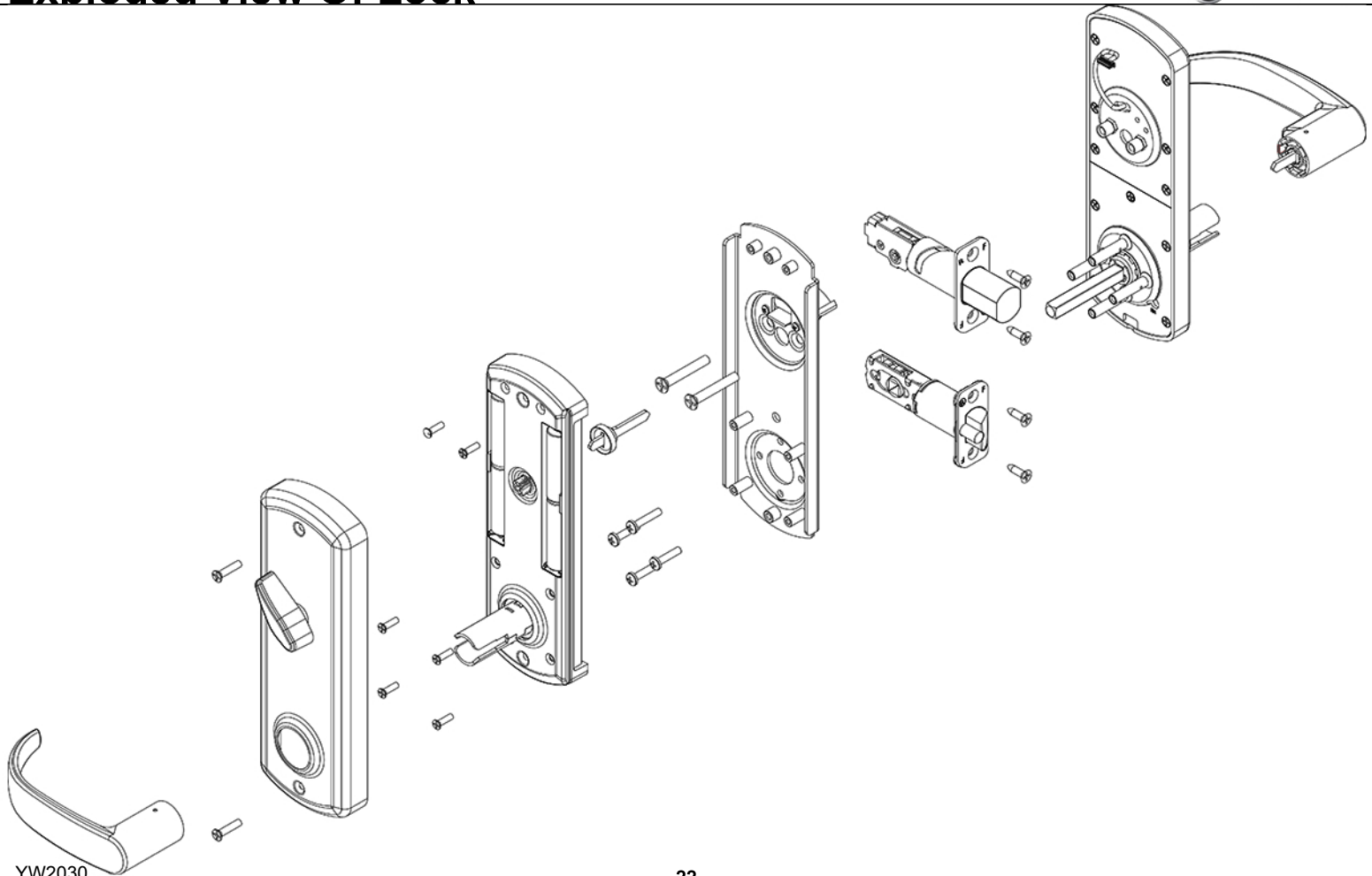
*Note: Be sure to change lever to new handing. See **Install Outside Lever** for more information.*



Scan QR code for a video on changing handing



# Exploded View Of Lock



YW2030

## PROBLEM

Keypad does not light up.

Latch bolt retracts when lever is rotated up, not down.

Rotating outside lever up will not extend deadbolt.

Key will not come out of lever after installation.

Outside lever retracts deadbolt and latch bolt without a key, user code or key card.

Deadbolt binds or does not fully extend.

## CAUSE

Batteries are dead.

Keypad is locked out due to x amount of incorrect codes.

Not fully plugged in wires or pinched wires.

Hub on latch bolt was not installed correctly.

Deadbolt was not extended during installation.

Handing on outside assembly was not properly set

Key cylinder was not installed correctly.

Handing on outside assembly was not properly set.

Strikes are not aligned.

## SOLUTION

Replace batteries by removing back cover.

Wait 60 seconds and try again.

Check wire connection.

Take lock off door and re-adjust latch bolt. (See Step 2)

Remove inside lever, back cover, and battery tray extend deadbolt and re-install parts. (See Step 8)

Take lock off door. Adjust handing on outside assembly and re-install parts. (See Addendum C)

Use lever removal tool to remove lever and re-install cylinder correctly. (See Step 5)

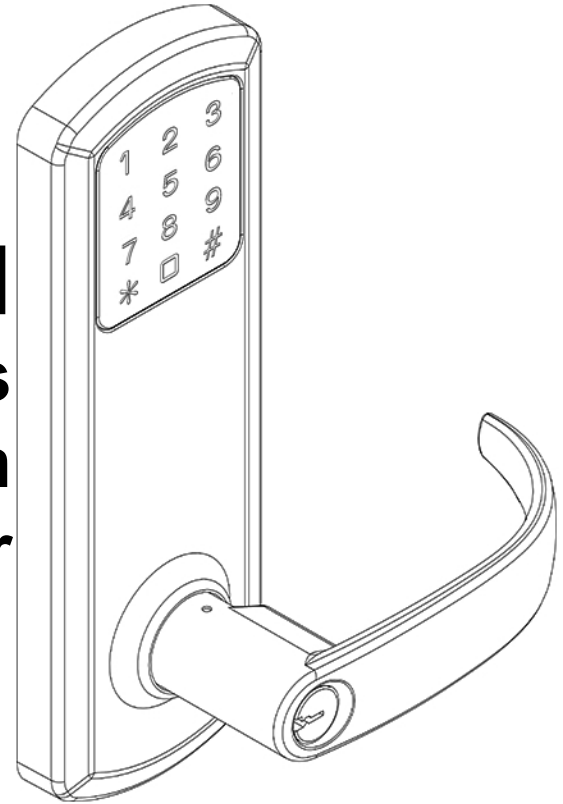
Take lock off door. Adjust handing on outside assembly and re-install parts. (See Addendum C)

Adjust strikes. (See Step 12)

**VISIT [WWW.TOWNSTEEL.COM](http://WWW.TOWNSTEEL.COM) FOR MORE INFORMATION.**

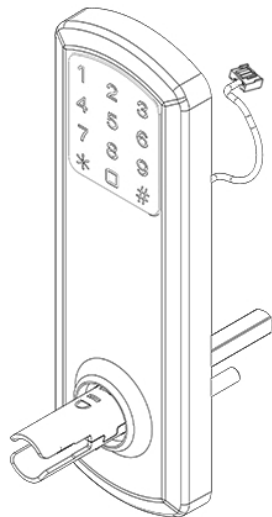
17901 RAILROAD STREET  
CITY OF INDUSTRY, CA 91748  
TOLL FREE: 877-858-0888  
TEL: 626-965-8917  
FAX: 626-965-8919

**TownSteel**  
**e-Genius 4000/5000 Series**  
**Lock Installation**  
**5 1/2" Center to Center**

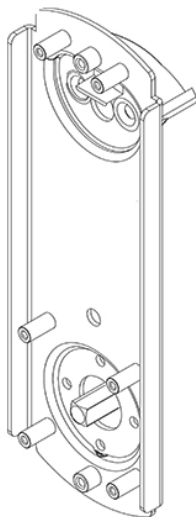


Package Content	2
Getting Started	4
Handing Information	5
Door Preparation	6
Step 1 - Adjust Latch Bolt	7
Step 2 - Set Handing On Latch Bolt	8
Step 3 - Adjust Deadbolt	9
Step 4 - Install Deadbolt And Latch Bolt	10
Step 5 - Install Outside Lever	11
Step 6 - Install Outside Assembly	12
Step 7 - Install Backplate	13
Step 8 - Install Spindle And Connect Battery Tray	14
Step 9 - Set Handing On Battery Tray	15
Step 10 - Install Batteries	16
Step 11 - Install Escutcheon And Inside Lever	17
Step 12 - Install Strikes	18
Addendum A - Change Handing Information	19
Addendum B - Remove Levers	20
Addendum C - Change Handing On Outside Assembly	21
Exploded View Of Lock	22
Troubleshoot	23

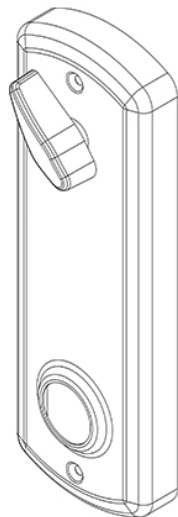
# Package Content



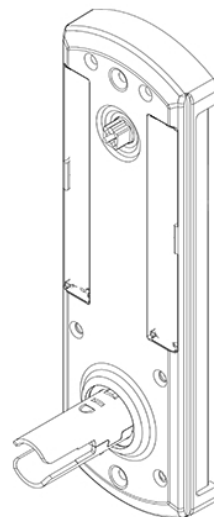
Outside Assembly



Backplate



Inside Cover



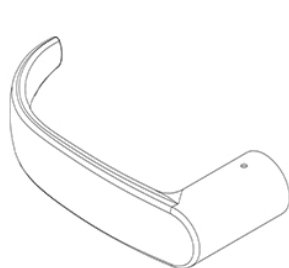
Battery Tray  
Assembly



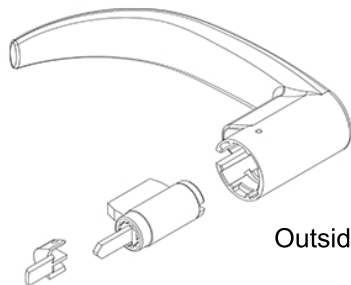
Thumb Turn Spindle



Lever Removal  
Tool

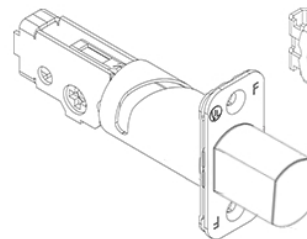


Inside Lever

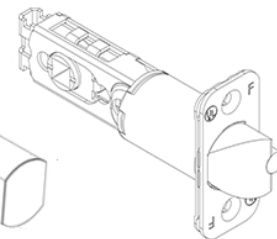


Cylinder Retainer & Cylinder

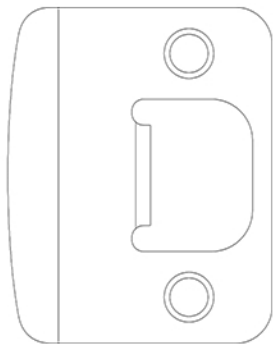
Outside Lever



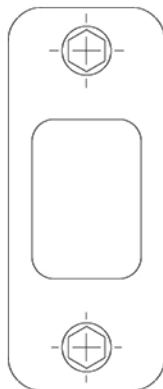
Deadbolt



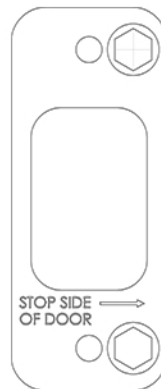
Latch Bolt



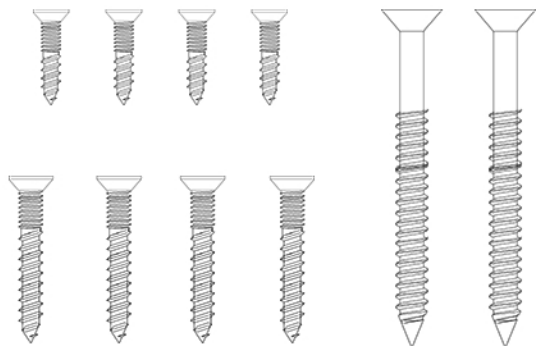
Latch Bolt Strike



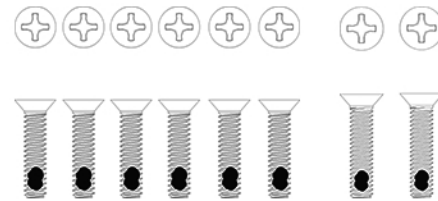
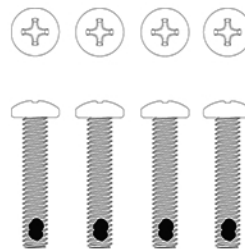
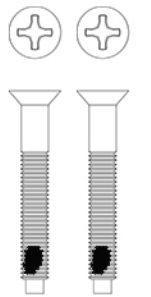
Deadbolt Strike



Deadbolt  
Armor Strike



Screw Pack For Faceplate  
and Strike Installation



Screw Pack For Lock Assembly



## General Operation

This is an interconnect lock. Inside is always unlocked. Deadbolt can be extended from inside or outside by lifting lever or using thumbturn on the inside. From inside, rotating lever down will retract both bolts. From the outside, presenting a valid user code or keycard and rotating the lever down will retract both bolts. Outside latch bolt is always locked unless a valid code is used or unit is programmed to passage mode.

**Key Override** - Rotating the key clockwise approximately 90° will allow you to rotate the lever and retract both bolts. The key will not retract the bolts. Return key back to home position to pull out key.

## Tools Needed For Lock Installation

Phillips screw driver

Flat Head screw driver

*Note:*

*Do not use a power drill for installation of lock as it can damage lock.*

## Tools May Be Needed For Door Preparation

Tape Measure

Power Drill (For drilling holes ONLY)

1" and 2 1/8" Drill Bits

Wood Chisel

Pencil

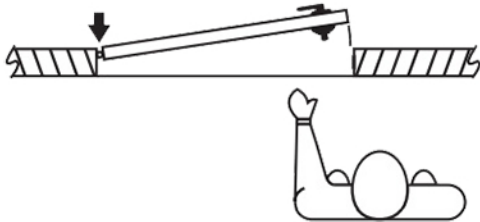
7/64 hex wrench

When batteries are installed and lock is ready to be operated, refer to programming guide for programming instruction.

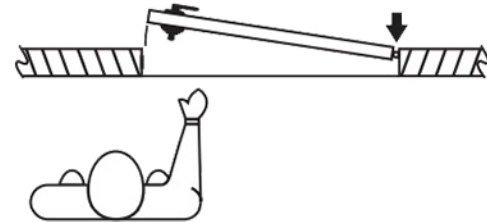
Interconnect lock is handed. See handing information below.

## Handing Information From Outside

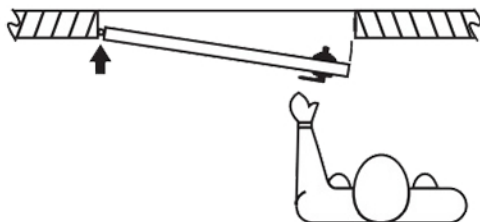
If hinges are on the left,  
and door opens inward,  
it is a **Left Hand Door(LH)**.



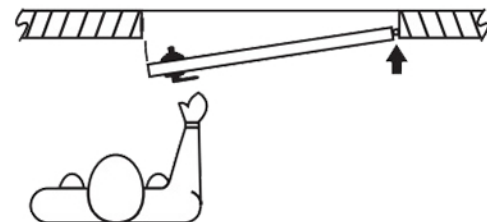
If hinges are on the right,  
and door opens inward,  
it is a **Right Hand Door(RH)**.



If hinges are on the left,  
and door opens outward,  
it is a **Left Hand Reverse Door(LHR)**.

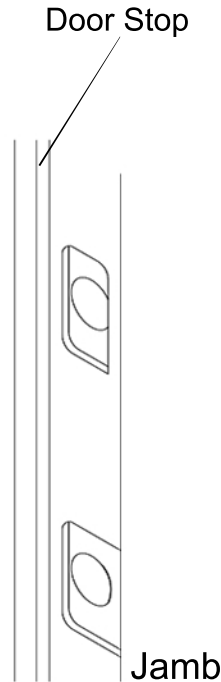
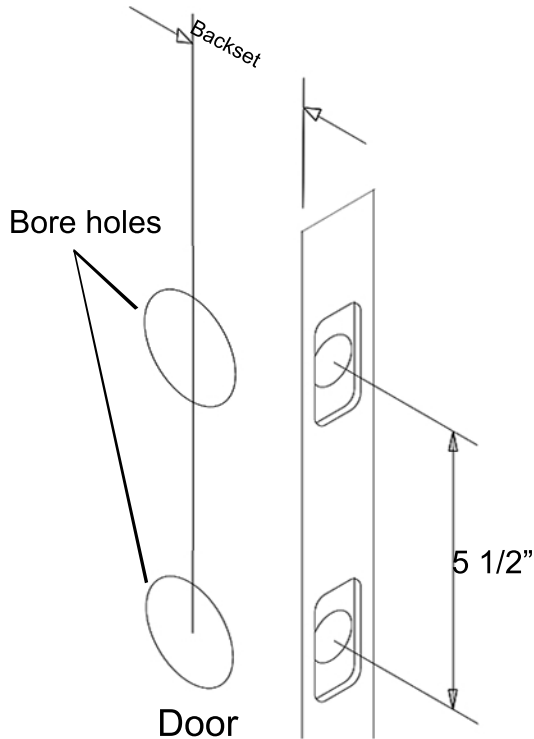


If hinges are on the right,  
and door opens outward,  
it is a **Right Hand Reverse Door(RHR)**.



If handing needs to be changed, see **Addendum A** (Page 19).

Prepare door and jamb per template provided. Backset is adjustable for  $2\frac{3}{4}$ " or  $2\frac{3}{8}$ ". The backset is the dimension from the edge of the door to centerline of the lock. This lock requires a  $5\frac{1}{2}$ " center to center distance between the bore holes.

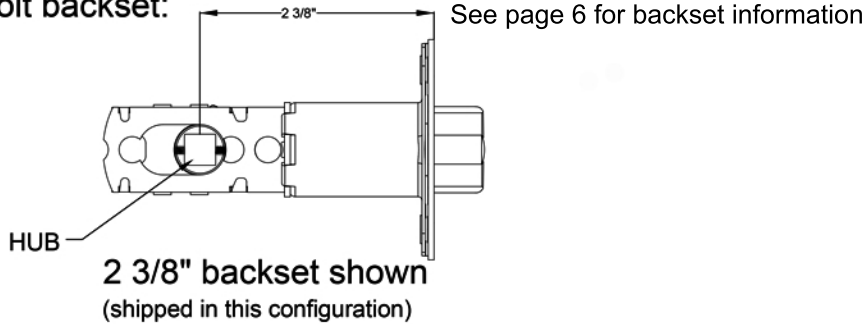


## IMPORTANT:

Door stop is where the door will stop when normally operated. Door stop includes any gasket, smoke seal, or bumpers. Position of strikes are to be measured from where the door actually stops. The deadbolt, when thrown, cannot have any interference with the deadbolt strike. If there is any interference, strikes need to be adjusted for lock to work properly.

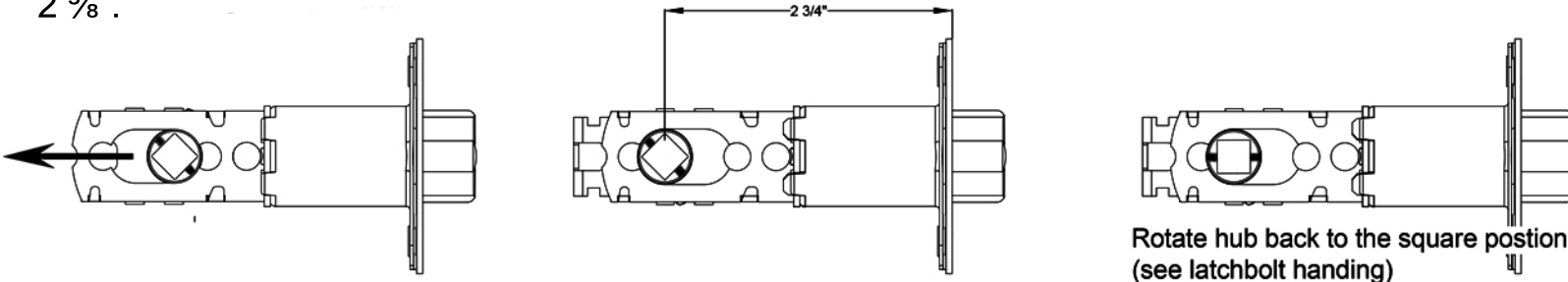
Latch installation - Latch handing and backset needs to match your door. See below for setting backset and handing.

## Latchbolt backset:



Scan QR code for a video on latch handing and backset

In order to adjust from 2 3/8" to 2 3/4", rotate hub on the diagonal as shown below. Pull on the hub to extend to 2 3/4" in the direction noted by the arrow. Push hub to the right to go back to 2 3/8".

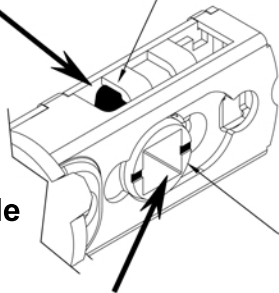


# Step 2

Latchbolt handing: See below showing the hub rotation for the handing of your door - RH, LH, RHR, LHR. See page 5 for door handing information.

Note the position of the cam on the hub when setting handing.

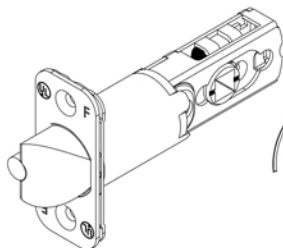
CAM



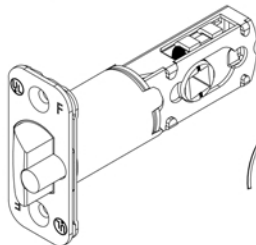
**RH or LHR**  
**2 3/8" example**

HUB

Note the position of the markings on the hub when setting handing.



**RH or LHR**

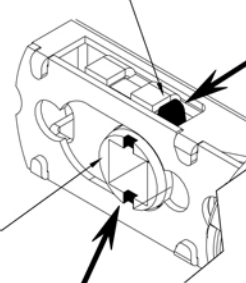


**LH or RHR**

Rotate hub as noted until it stops as shown (stop rotation when cam is in noted position)

Note the position of the cam on the hub when setting handing.

CAM



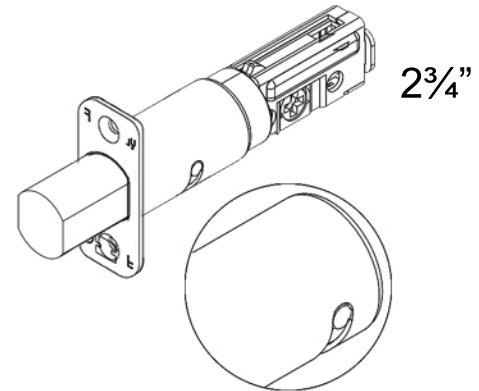
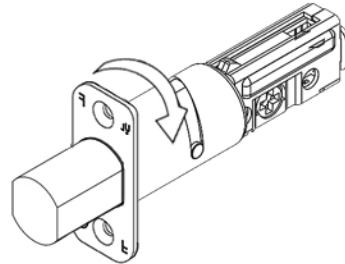
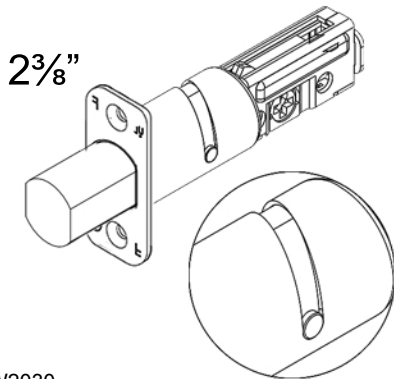
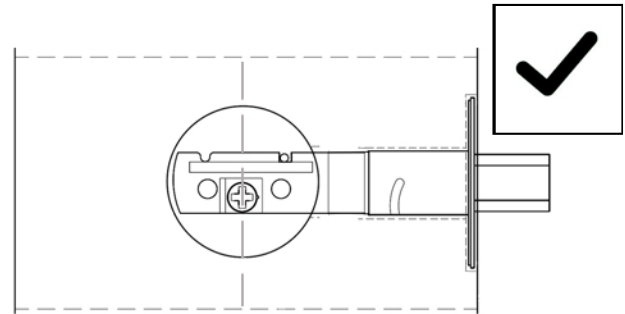
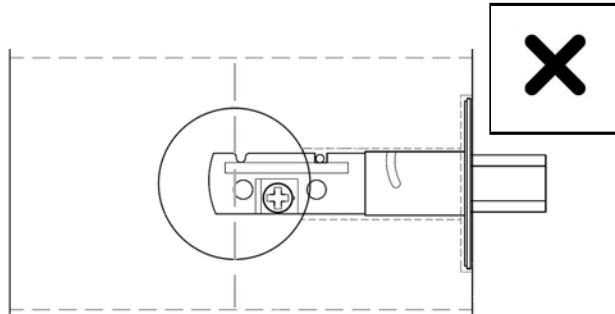
**LH or RHR**  
**2 3/8" example**

HUB

Note the position of the markings on the hub when setting handing.

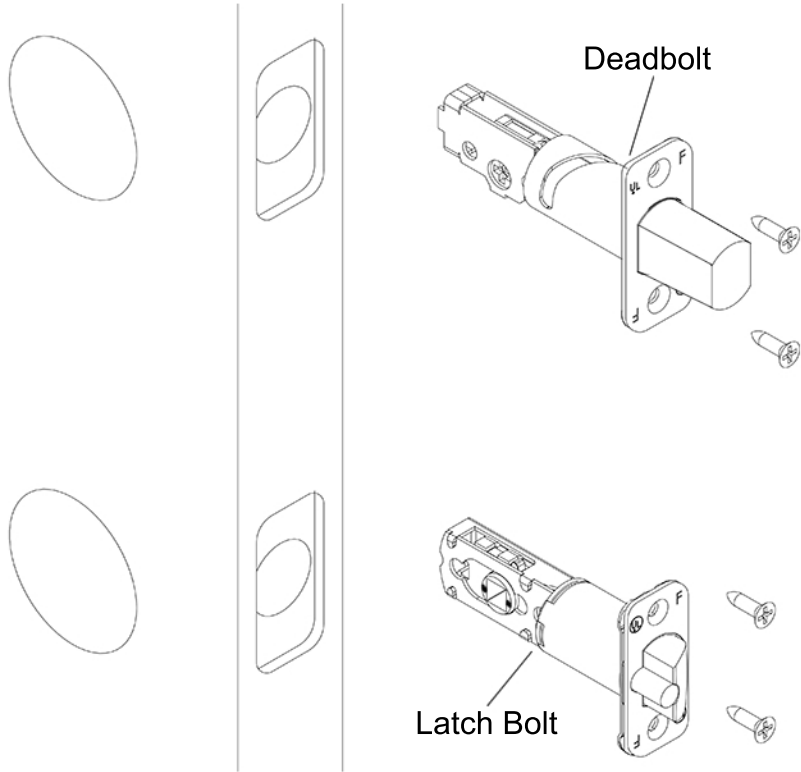
# Step 3

Place the deadbolt in the door frame cutout and make sure the cross shaped hub is centered. Otherwise, look below on how to adjust the deadbolt by rotating the deadbolt face.

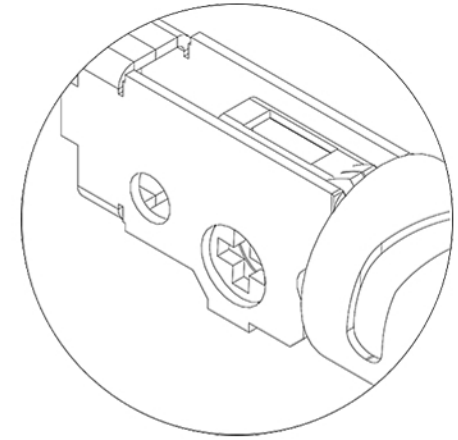


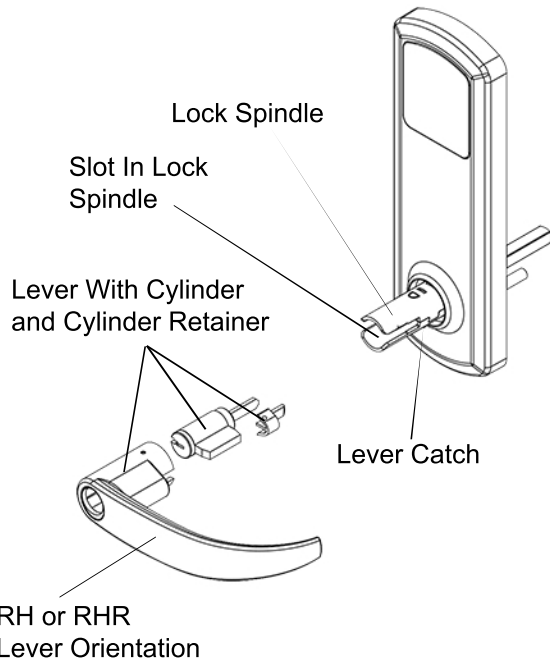
# Step 4

Extend deadbolt. Install deadbolt, and latch bolt as shown (RH Shown). Secure with 4 screws.



Position cross as shown below.

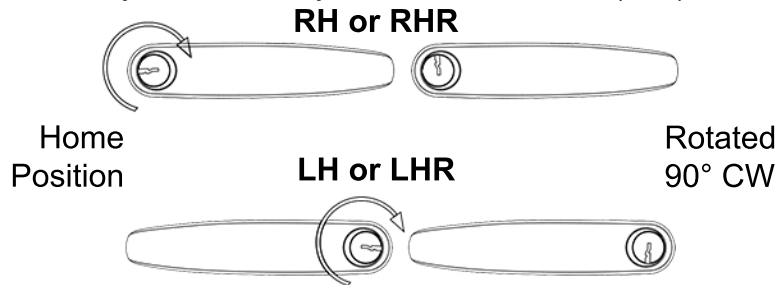




Scan QR code for a video on installing the outside lever

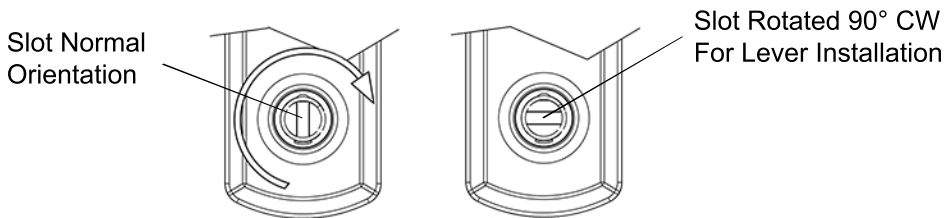
## Install Outside Lever

1) Insert key and rotate cylinder 90° clockwise(CW).



*Note: LH lever and RH lever orientation*

2) Use a flat head screw driver to rotate slot in spindle 90° CW on outside assembly.

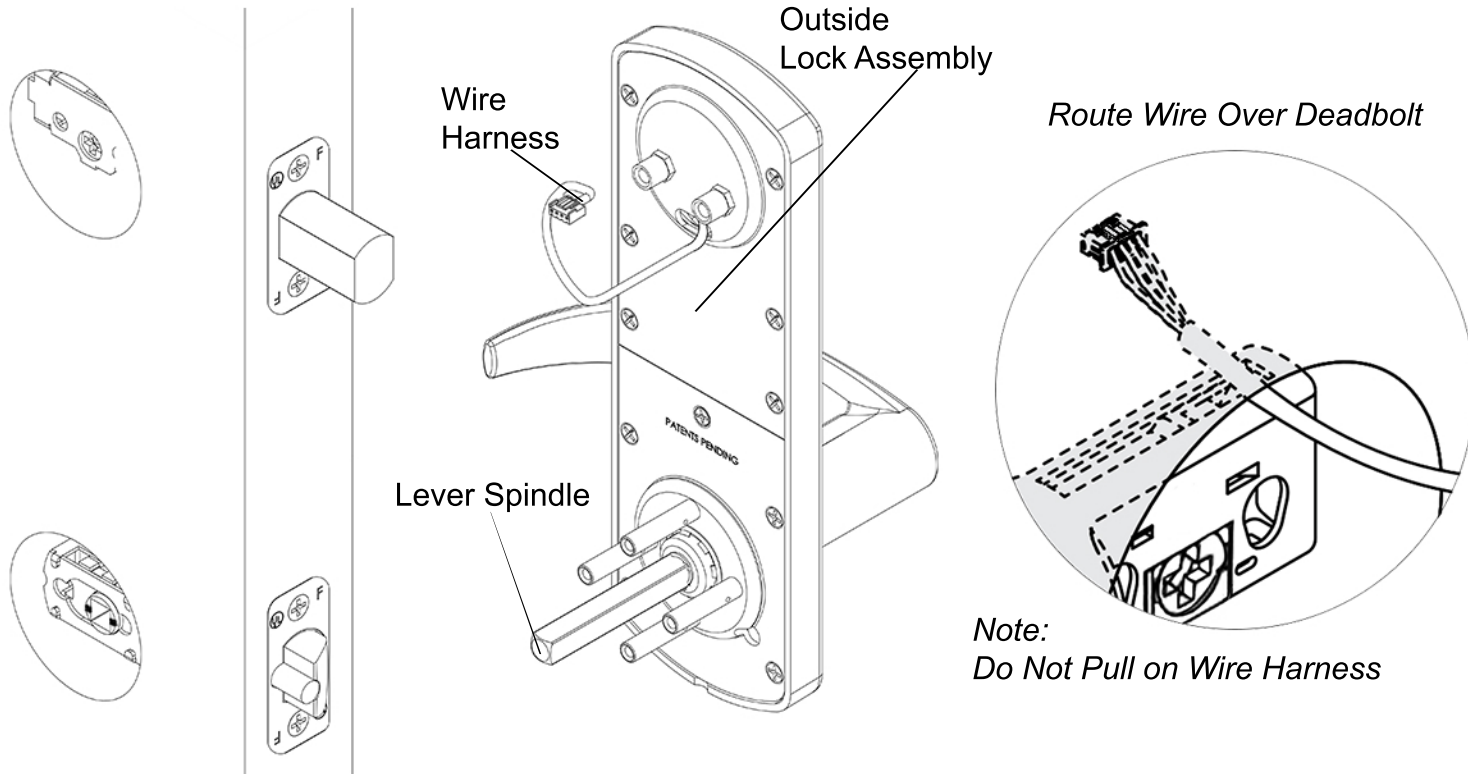


3) With key inserted and rotated 90° CW, push lever onto outside assembly while the slot is also rotated 90° CW. Lever catch is on underside of lever and it should snap into place. Rotate keyway back to home position and pull out key. Pull lever to make sure lever is secure.



# Step 6

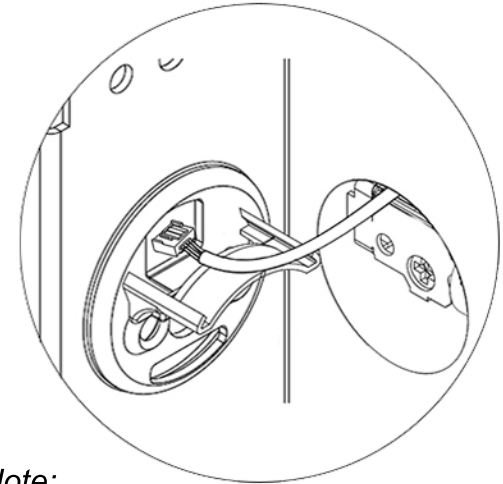
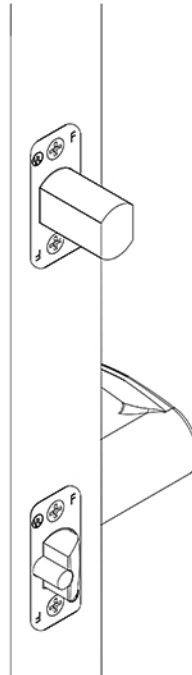
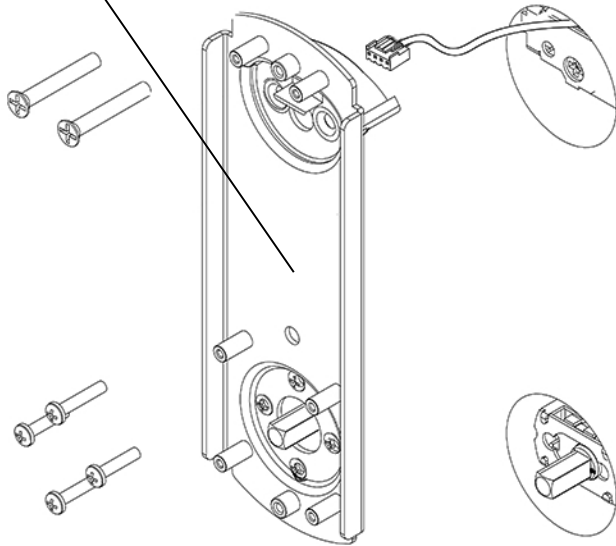
Align outside lock assembly and install onto door face. Lever spindle goes through latch hub. Carefully guide wire harness through and over deadbolt housing.



# Step 7

Align backplate and install on the door. Guide the wire harness above the shelf on backplate and down through the slot. Secure top of backplate with 2 screws that go through the deadbolt housing - do not tighten until all screws on the backplate are installed. Secure bottom of backplate with 4 screws. Tighten all screws on backplate.

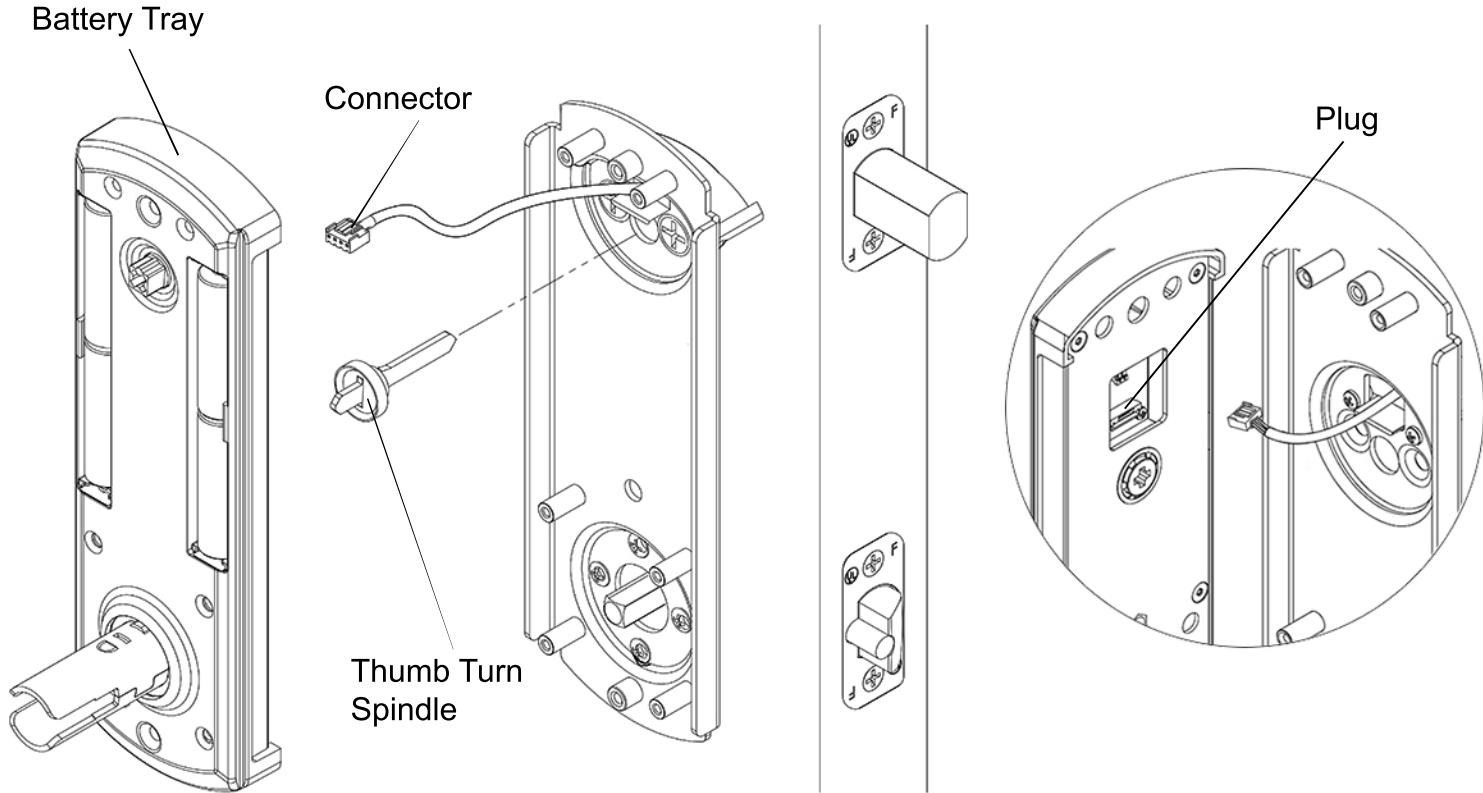
Backplate



*Note:*  
*Do Not Pull on Wire Harness*

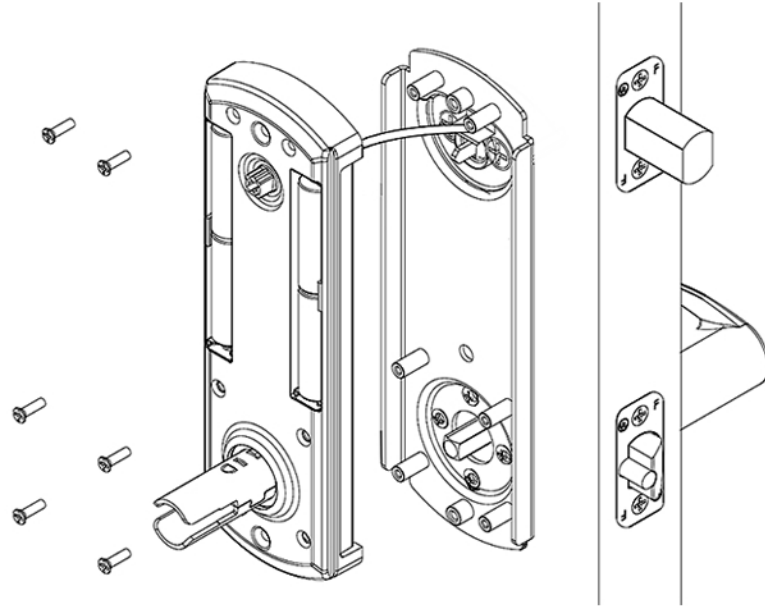
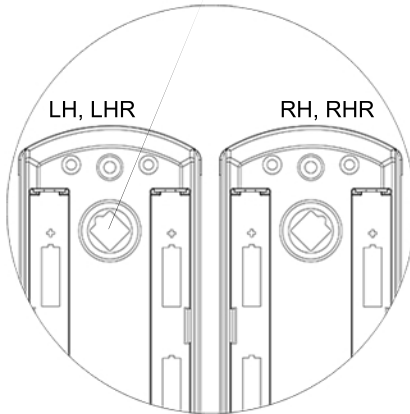
# Step 8

Install thumb turn spindle as shown. Plug in connector from lock assembly into plug on back of battery tray.



Set handing on battery tray. Push excess wire into hole over the backplate. Battery tray should sit flush without interference. Do not pinch wire harness. Secure battery tray with 6 screws.

Set handing on battery tray as shown below.



*Note: Confirm the deadbolt is extended and thumb turn spindle is installed.*

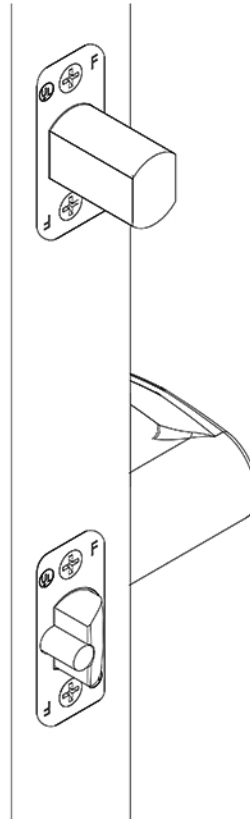
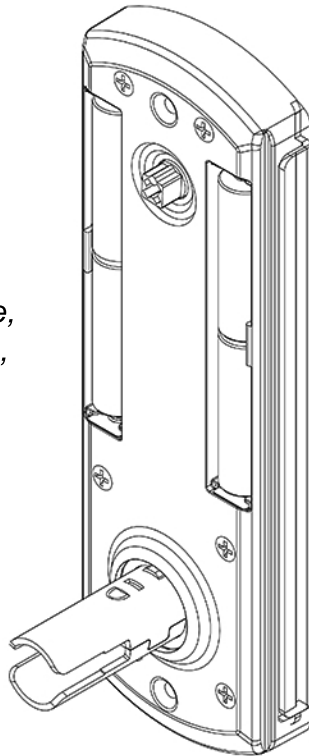


Scan QR code for  
a video on setting handing

# Step 10

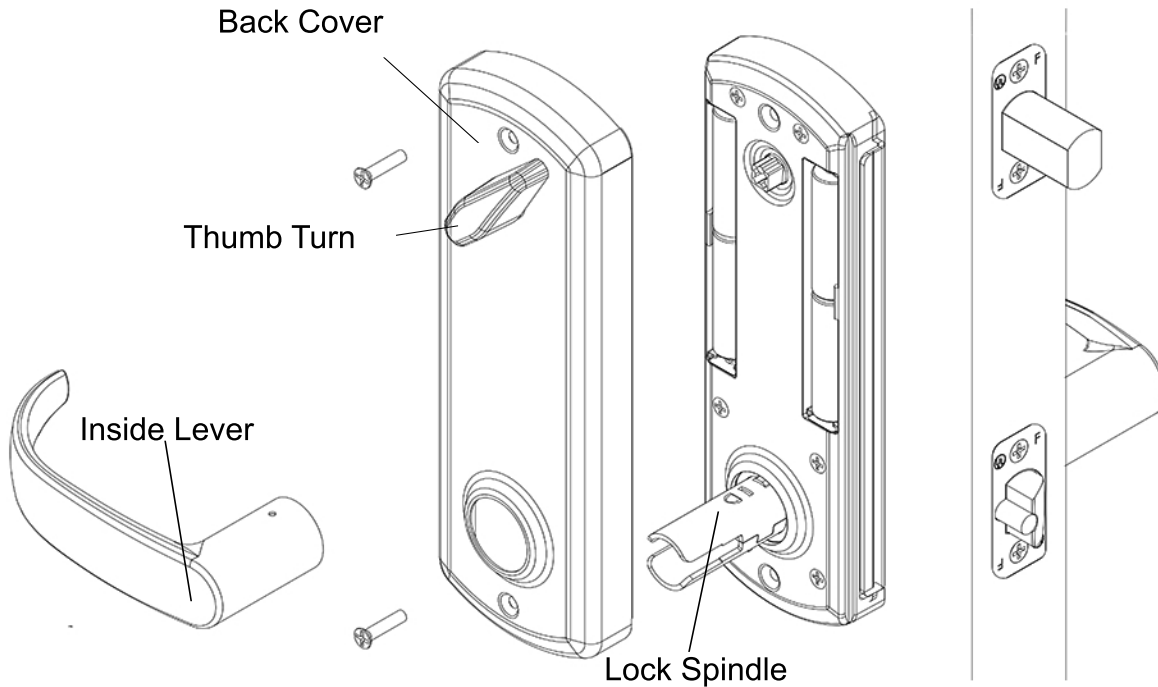
Install 4 AA-alkaline batteries into battery tray. Use only alkaline batteries for the interconnect lock.

*When batteries are installed, you will hear the motor move, see the LED light up, and hear a quick series of beeps.*

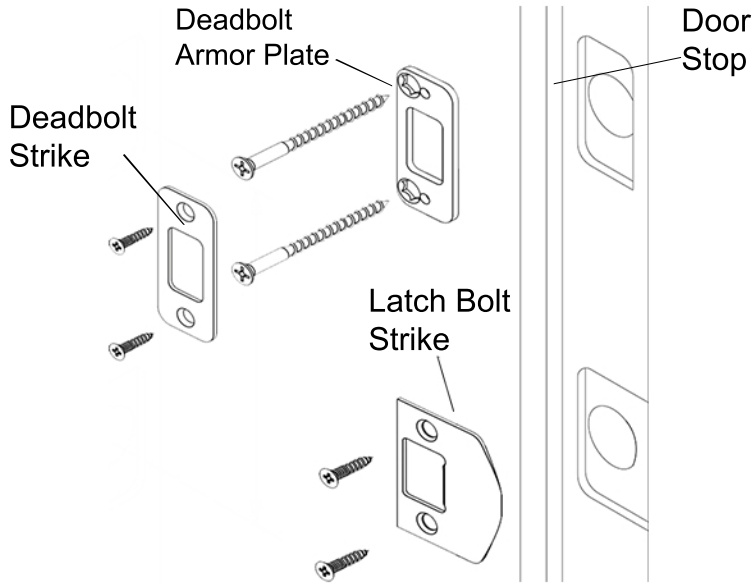


# Step 11

Place back cover over battery tray. Make sure the thumb turn on the back cover is oriented properly. Align thumb turn until it falls into place without forcing it. Secure back cover with 2 screws. Slide inside lever onto lock spindle. Lever catch is on underside of lever and it should snap into place. Pull lever to make sure it is secure.



Install deadbolt armor plate, deadbolt strike, and latch bolt strike. Secure with 6 screws.



*Remember, the door stop is where the door will stop when normally operated. Stop includes any gasket, smoke seal, or bumpers. Position of strikes are to be measured from where the door actually stops. The deadbolt, when thrown, cannot have any interference with deadbolt strike. If there is any interference, strikes need to be adjusted for the lock to work properly.*

## **IMPORTANT:**

Make sure the lock operates properly before closing the door. From inside, lifting the lever should extend the deadbolt and rotating the lever down should retract both bolts. From outside, lifting the lever should extend the deadbolt. Wake up the keypad by swiping across the surface and enter 1-2-3-4-5-6-#. The LED will light red then green. Rotating the lever down should retract both bolts.

Changing the handing should not be needed. Lock is shipped with handing specified. See shipping confirmation or box for details.

If handing needs to be changed from Right Hand to Left Hand (Or Left Hand to Right Hand), handing must be changed on outside assembly. This entails changing a socket head screw on the back of outside assembly. Also, latch bolt and levers need to be adjusted.

See:

**Addendum C** *To change handing on outside assembly*

**Addendum B** *To remove and adjust levers*

**Step 2** *To adjust latch bolt*

If handing needs to be changed from Right Hand to Right Hand Reverse (Or Left Hand to Left Hand Reverse), only the latch bolt orientation needs to be changed.

See:

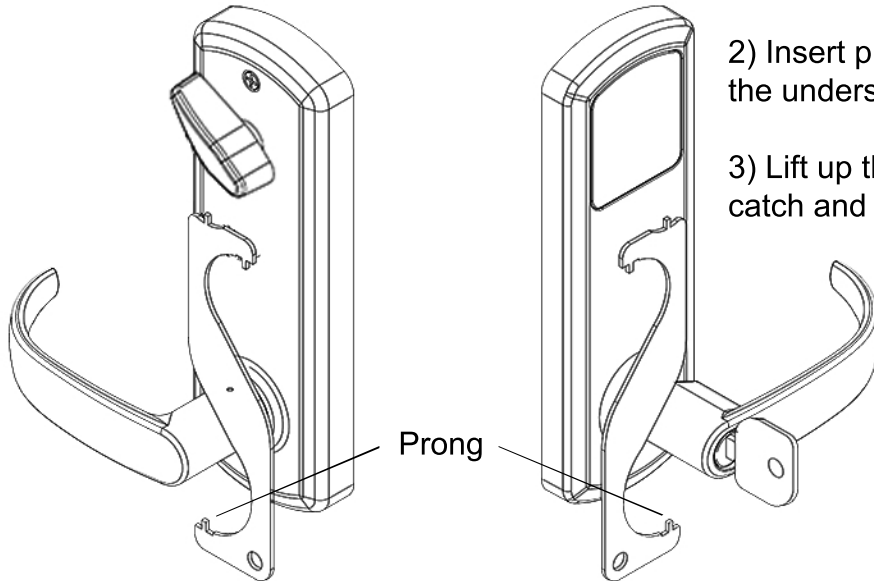
**Step 2** *In order to adjust latch bolt*



## Remove Inside Lever

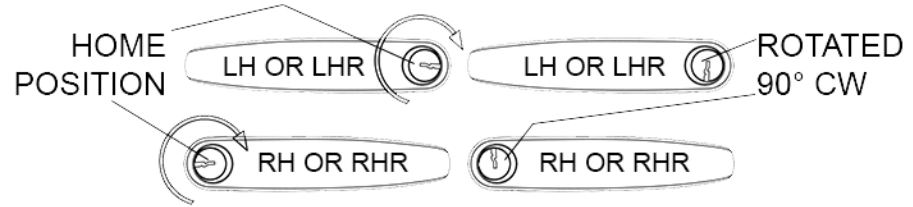
1) Insert prong on lever removal tool in the hole on underside of the lever.

2) Lift up the lever removal tool to depress the lever catch and pull the lever off.



## Remove Outside Lever

1) Insert the mechanical key and rotate it 90° clockwise.



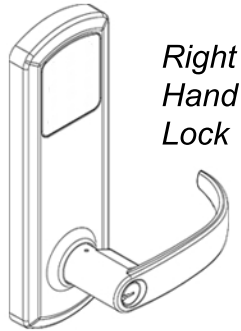
2) Insert prong on lever removal tool in the hole on the underside of the lever.

3) Lift up the lever removal tool to depress the lever catch and pull the lever off.

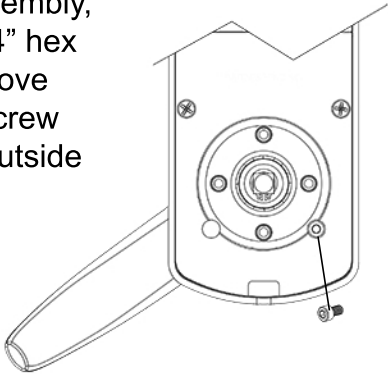
## Change Handing On Outside Assembly

For this example, we will be changing the handing of a right hand lock to a left hand lock.

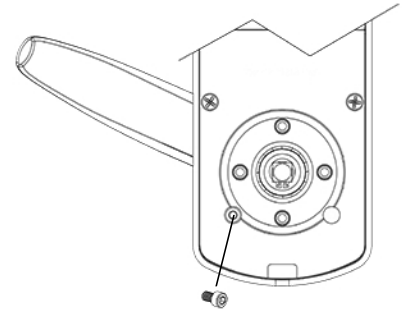
1) Remove lock assembly from door.



2) Rotate lever down on outside assembly, and use a 7/64" hex wrench to remove socket head screw from back of outside assembly.



3) To change handing, rotate lever up and install socket head screw on the left side of lock assembly.

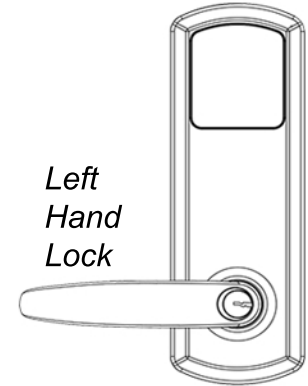


4) Re-install lock assembly on door.

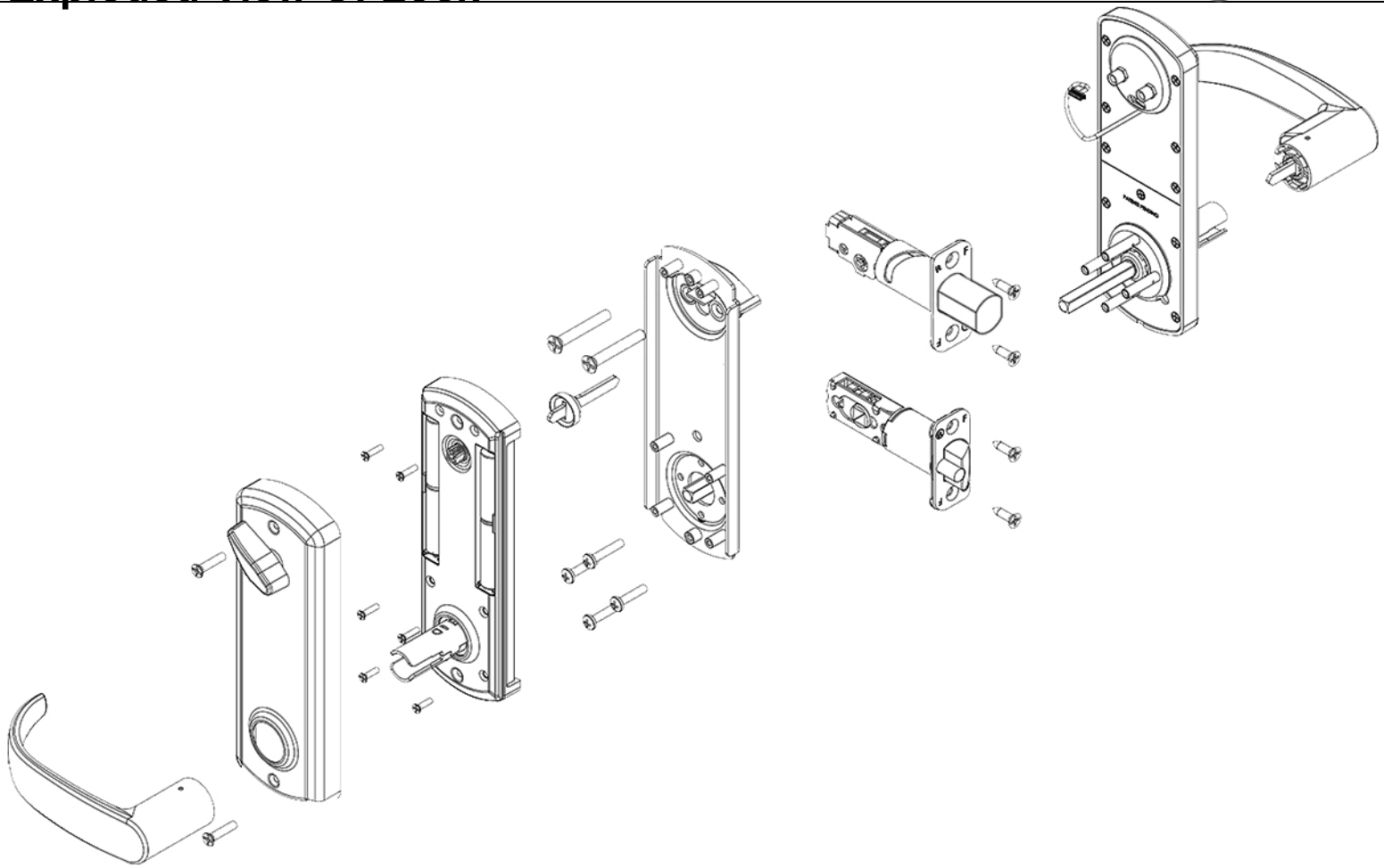
*Note: Be sure to change lever to new handing. See **Install Outside Lever** for more information.*



Scan QR code for a video on changing handing



# Exploded View Of Lock



YW2030

## PROBLEM

Keypad does not light up.

Latch bolt retracts when lever is rotated up, not down.

Rotating outside lever up will not extend deadbolt.

Key will not come out of lever after installation.

Outside lever retracts deadbolt and latch bolt without a key, user code or key card.

Deadbolt binds or does not fully extend.

## CAUSE

Batteries are dead.

Keypad is locked out due to x amount of incorrect codes.

Not fully plugged in wires or pinched wires.

Hub on latch bolt was not installed correctly.

Deadbolt was not extended during installation.

Handing on outside assembly was not properly set

Key cylinder was not installed correctly.

Handing on outside assembly was not properly set.

Strikes are not aligned.

## SOLUTION

Replace batteries by removing back cover.

Wait 60 seconds and try again.

Check wire connection.

Take lock off door and re-adjust latch bolt. (See Step 2)

Remove inside lever, back cover, and battery tray extend deadbolt and re-install parts. (See Step 8)

Take lock off door. Adjust handing on outside assembly and re-install parts. (See Addendum C)

Use lever removal tool to remove lever and re-install cylinder correctly. (See Step 5)

Take lock off door. Adjust handing on outside assembly and re-install parts. (See Addendum C)

Adjust strikes. (See Step 12)

**VISIT [WWW.TOWNSTEEL.COM](http://WWW.TOWNSTEEL.COM) FOR MORE INFORMATION.**

17901 RAILROAD STREET  
CITY OF INDUSTRY, CA 91748  
TOLL FREE: 877-858-0888  
TEL: 626-965-8917  
FAX: 626-965-8919