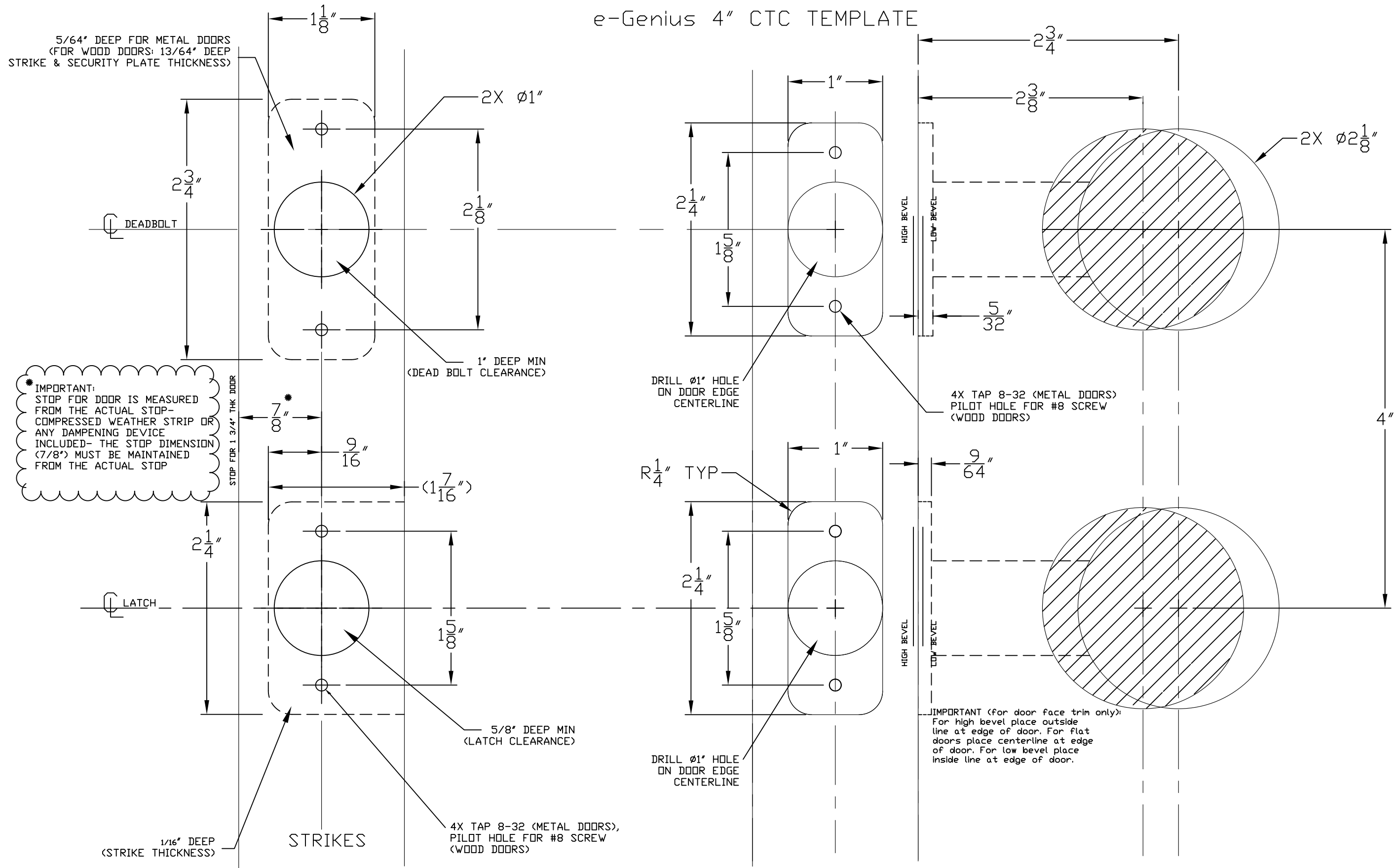


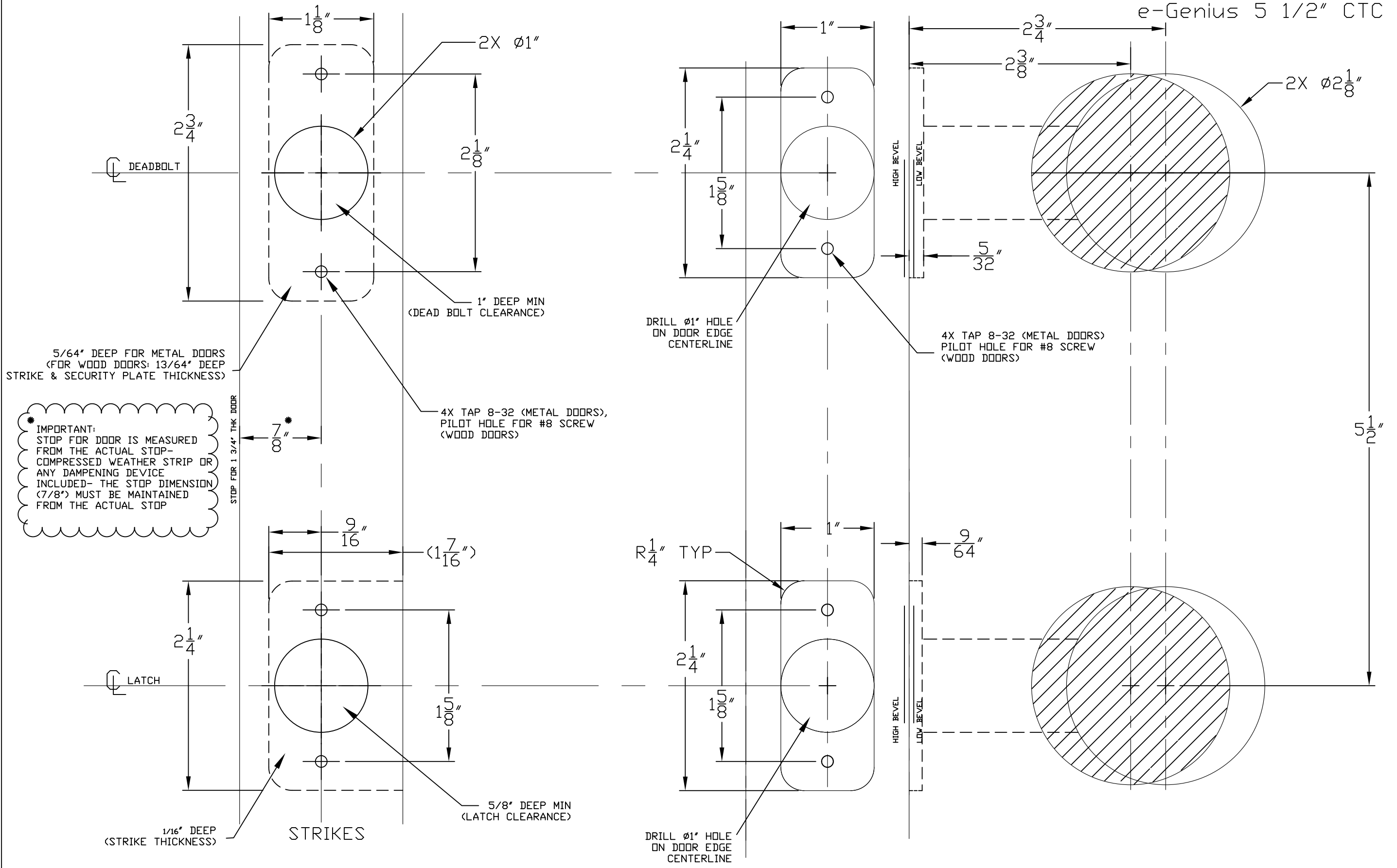
e-Genius 4" CTC TEMPLATE



* IMPORTANT:
STOP FOR DOOR IS MEASURED
FROM THE ACTUAL STOP-
COMPRESSED WEATHER STRIP OR
ANY DAMPENING DEVICE
INCLUDED- THE STOP DIMENSION
(7/8") MUST BE MAINTAINED
FROM THE ACTUAL STOP

RESPONSIBILITY: Door and frame manufacturers are responsible for providing adequate construction or reinforcements for proper installation of hardware.

TEMPLATE SCALE IS 1:1 IF THIS MEASURES 1":



5/64" DEEP FOR METAL DOORS
(FOR WOOD DOORS: 13/64" DEEP
STRIKE & SECURITY PLATE THICKNESS)

*** IMPORTANT:**
STOP FOR DOOR IS MEASURED
FROM THE ACTUAL STOP-
COMPRESSED WEATHER STRIP OR
ANY DAMPENING DEVICE
INCLUDED- THE STOP DIMENSION
(7/8") MUST BE MAINTAINED
FROM THE ACTUAL STOP

STOP FOR 1 3/4" THK DOOR

1" DEEP MIN
(DEAD BOLT CLEARANCE)

4X TAP 8-32 (METAL DOORS),
PILOT HOLE FOR #8 SCREW
(WOOD DOORS)

5/8" DEEP MIN
(LATCH CLEARANCE)

DRILL Ø1" HOLE
ON DOOR EDGE
CENTERLINE

4X TAP 8-32 (METAL DOORS)
PILOT HOLE FOR #8 SCREW
(WOOD DOORS)

R 1/4" TYP

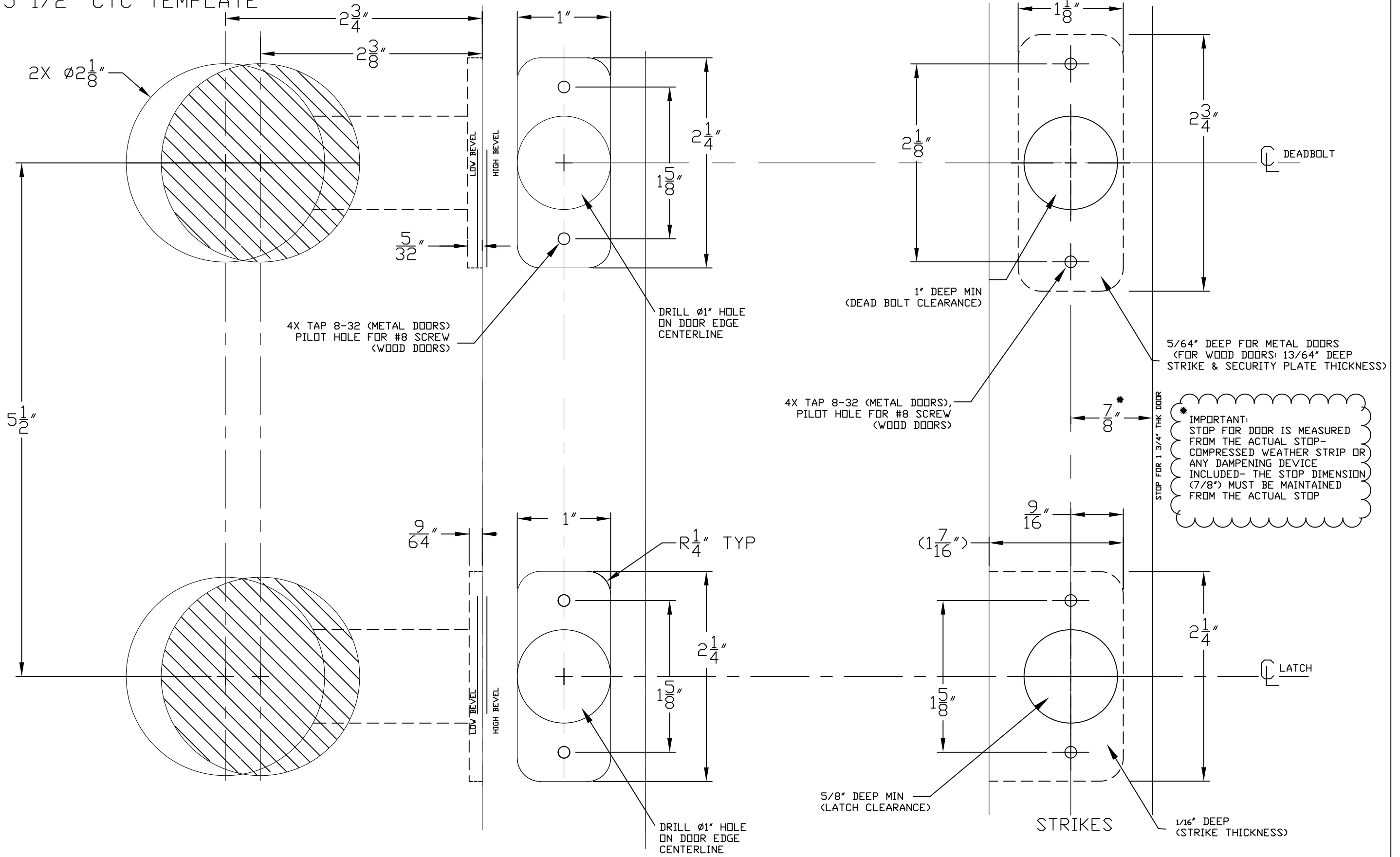
DRILL Ø1" HOLE
ON DOOR EDGE
CENTERLINE

IMPORTANT (for door face trim only):
For high bevel place outside
line at edge of door. For flat
doors place centerline at edge
of door. For low bevel place
inside line at edge of door.

TEMPLATE SCALE IS 1:1 IF THIS MEASURES 1":

RESPONSIBILITY: Door and frame manufacturers
are responsible for providing adequate construction or
reinforcements for proper installation of hardware.

e-Genius 5 1/2" CTC TEMPLATE



IMPORTANT (for door face trim only):
For high bevel place outside
line at edge of door. For flat
doors place centerline at edge
of door. For low bevel place
inside line at edge of door.

RESPONSIBILITY: Door and frame manufacturers
are responsible for providing adequate construction or
reinforcements for proper installation of hardware.

TEMPLATE SCALE IS 1:1 IF THIS MEASURES 1":