

MCK-12HD Series Full Mortise Short Leaf Flush

Recommended for new construction and renovations including new door and frame, new door with existing frame or existing door with new frame. Designed for use on retrofit applications and allows for adjustment in order to properly align the lock edge of the door to the frame.

- Designed for use with doors that are standard 1³/₄" up to 2¹/₄" thick
- Extruded 6063-T6 aluminum alloy/temper with pinless assembly
- Special hinge reinforcements are not required. Hollow metal door and frame manufacturers' standard is acceptable. Removal of hinge reinforcements in the door and frame is not advised
- Standard Fasteners are Custom #12-24 x 1¹/₁₆" FHUC, Type C, self-drilling screws. Wood screws available on request
- Available in custom lengths (specify handing and length in inches) and custom finishes (consult factory for availability)
- Hinges are guaranteed for the life of the opening
- The Molex connectors or electrically modified hinges are guaranteed for five years

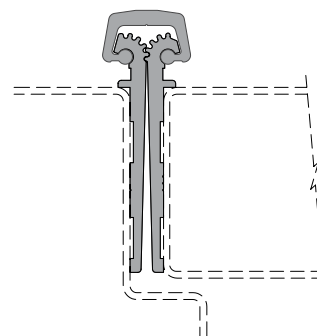


**LISTED
DOOR HINGE
76Y2**

MCK-12HD



Standard Application



Finishes

Code	Description
CL	Clear anodized aluminum
BZ	Dark anodized aluminum
G	Gold anodized finish
BL	Black anodized finish

Door Size	Hinge Length
6' 8"	79"
7' 0"	83"
7' 2"	85"
8' 0"	95"
10' 0"	120"

Options:

Code	Description
HT	Hospital Tip
FP	Fire Pins
MM	Magnetic Monitoring
PT	Power Transfer Prep (cut out only) for Adams Rite, Securitron, Yale, PEMKO, Dorma & Centurion*
EPT	Power Transfer Prep (cut out only) for Von Duprin, Securitron, & PEMKO*
LPT	Securitron, Adams Rite, PEMKO*

Refer to catalog pages EH-7 for additional information on our electrical options.

* PT, EPT, LPT Location Form must accompany your order.

800-346-7707 | www.mckinneyhinge.com

Check the web site for the up-to-date catalog

McKinney is a brand associated with Corbin Russwin, Inc., an ASSA ABLOY Group company. Copyright © 2012-2017, Corbin Russwin, Inc. All rights reserved. Reproduction in whole or in part without the express written permission of Corbin Russwin, Inc. is prohibited.

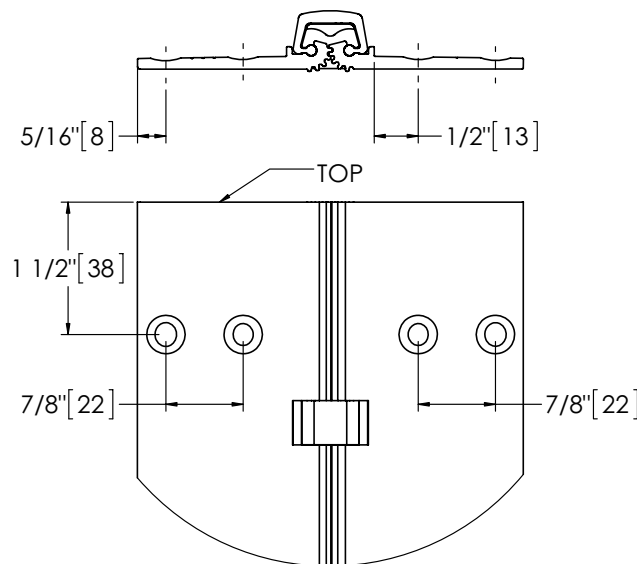
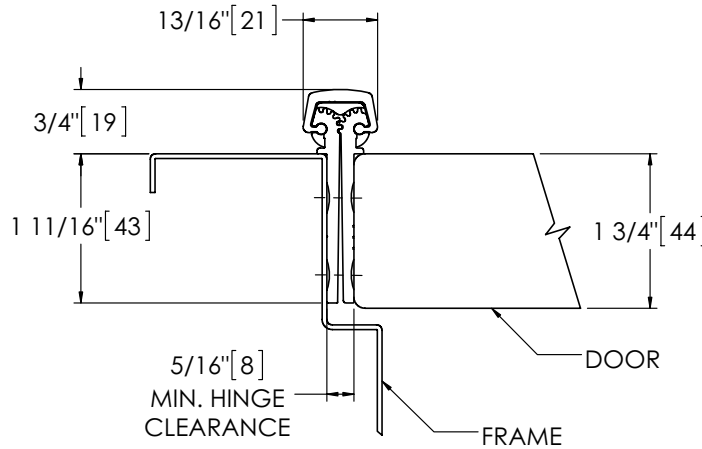
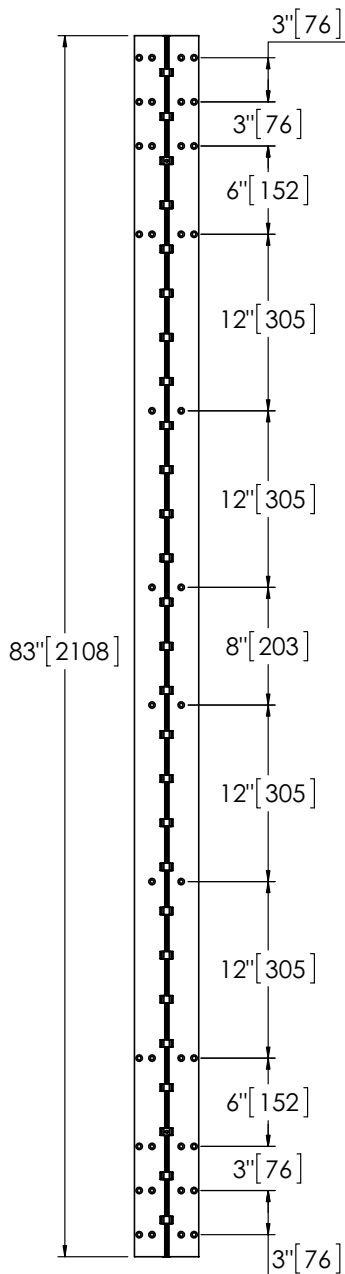
ASSA ABLOY

The global leader in
door opening solutions

MCK-12HD 83" Full Mortise Short Leaf Flush HD

The global leader in door opening solutions

DO NOT SCALE
FOR ILLUSTRATION PURPOSES ONLY
DIMENSIONS: INCHES (MM)



Template 606-18

Effective date: June 2018

Supersedes: All Previous

McKINNEY Template Edge Mounted Continuous Aluminum Geared Hinge MCK-12HD is made to conform to this drawing and ANSI/BHMA 156.26.

McKINNEY MCK-12 hinge can be supplied with Electric Functions - See Electrified Hinge section.

Machine Screw Size:
Custom #12-24 x 11/16" FHUC, self drilling

Hinges are listed for fire applications up to 90 minutes without special preparation; for 3 hour openings using hollow metal doors and hollow metal frames on masonry/drywall, fire pins (supplied separately) must be used.

**** CAUTION ****
Due to Frame Installation Variations, Pre-drilling For Fasteners IS NOT Recommended