

## MCK-35HD & MCK-38HD SERIES

Designed mainly for new door applications in child care and nursing facilities. These hinges require extra clearance with a special frame design and are applied to conceal both leaves.

- Extruded 6063-T6 aluminum alloy/temper with pinless assembly
- The unique design prevents small fingers from getting pinched in the door
- Safety hinges are designed for frames with cased openings (where there are no stops on the hinge jamb)
- Standard Fasteners are #12-24 x 7/16" Type C, FH U/C self-drilling screws
- Wood Screws available on request and should be specified when ordering
- 1/2 x 12-24 Torx Pin Head Machine Screws available on request
- Requires 1 3/16" clearance for square edge doors and 27/32" clearance on beveled edge doors
- Available in custom lengths (specify handing and length in inches) and custom finishes (consult factory for availability)

### Finishes

Code	Description
CL	Clear anodized aluminum
BZ	Dark anodized aluminum
G	Gold anodized finish
BL	Black anodized finish

Door Size	Hinge Length	# of Bearings	Door Weight
6' 8"	79"	26	520 lbs
7' 0"	83"	27	540 lbs
7' 2"	85"	27	540 lbs
8' 0"	95"	31	620 lbs
10' 0"	20"	39	780 lbs



**LISTED**  
**Door Hinges**  
**76Y2**

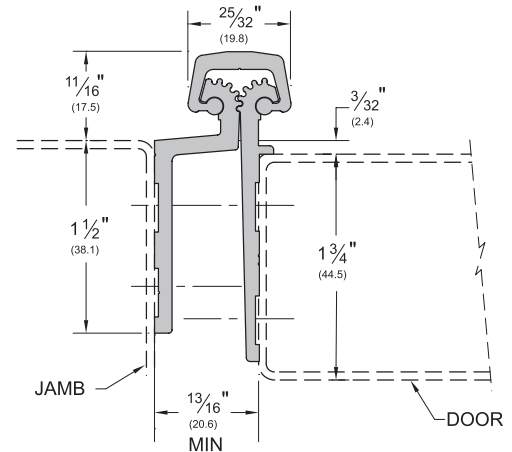
### MCK-35HD

Edge Hung Safety Application



### MCK-38HD

Edge Hung Short Leaf Inset Safety Application



### Options:

Code	Description
HT	Hospital Tip
FP	Fire Pins

**Note:** Power Transfer Cut Outs PT, EPT & LPT are not available on this hinge.