



MR Series Mortise Locks



**MJ SERIES MORTISE DEADBOLT
(SEE PAGES XX THRU YY)**



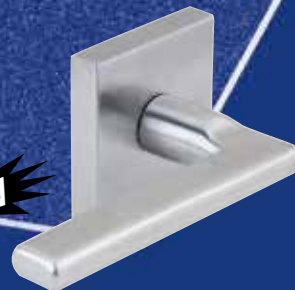
**SHOWN WITH F SERIES ESCUTCHEON
TRIM, PHILADELPHIA LEVER**



**SHOWN WITH J SERIES ESCUTCHEON
TRIM, PHILADELPHIA LEVER**



**SHOWN WITH JW SERIES ESCUTCHEON
TRIM, PHILADELPHIA LEVER**



**INTRODUCING SQUARE ROSE SECTIONAL
TRIM SHOWN WITH ORLANDO LEVER
(SEE PAGES AA THE BB)**

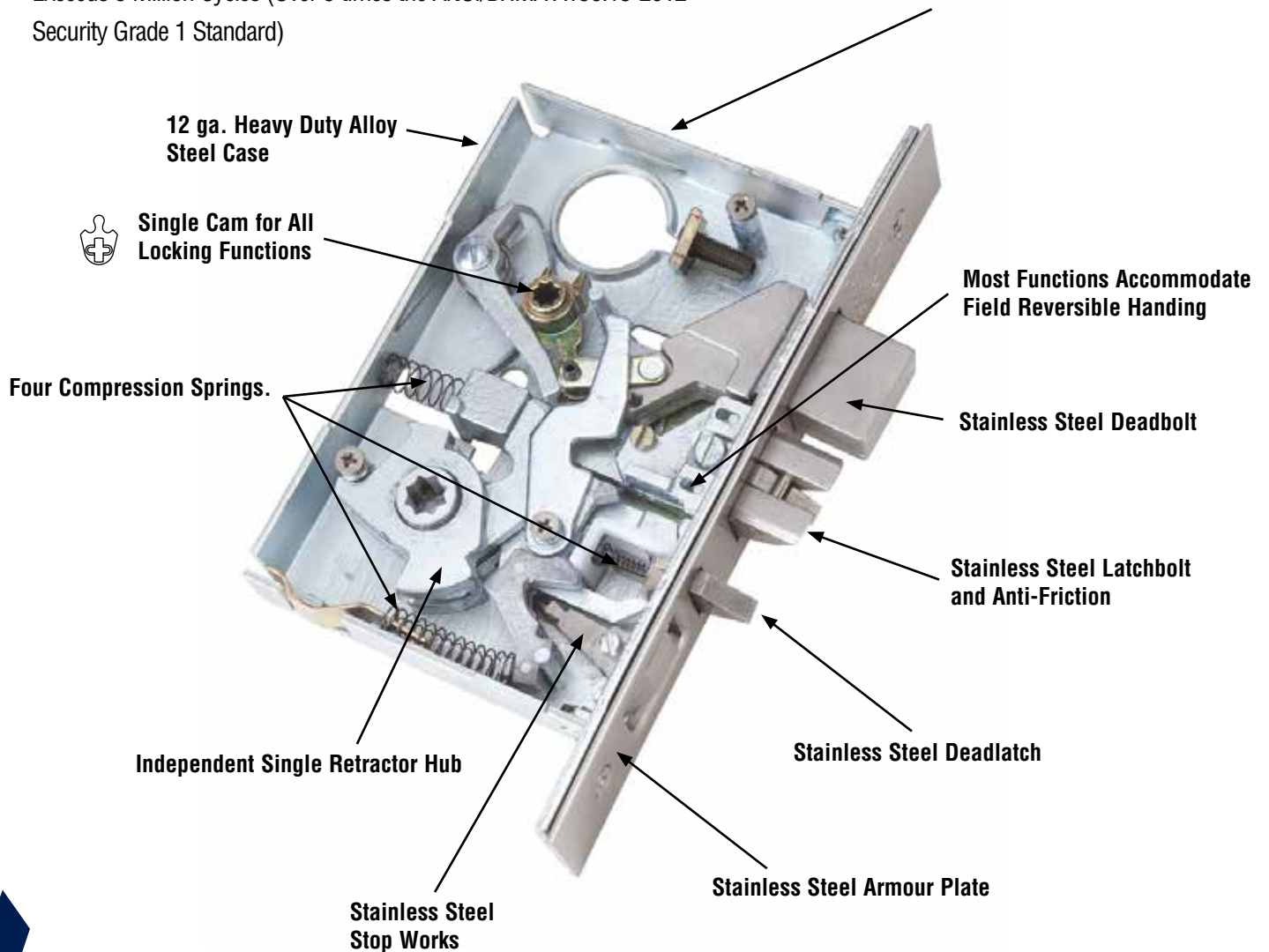
TABLE OF CONTENTS

SPECIFICATIONS	1
FUNCTIONS.....	8
INDICATORS.....	9
CROSS REFERENCE TABLES	9
HOW TO ORDER, F SERIES TRIM	10
HOW TO ORDER, J SERIES TRIM	11
ELECTRONIC ACCESS CONTROL	11
ELECTRIFIED LOCKING/UNLOCKING (FAIL SECURE/FAIL SAFE).....	12
REQUEST TO EXIT, LATCH BOLT MONITORING	13
POWER TRANSFER HINGES	13
MORTISE DEADBOLTS	14
CYLINDERS, CORES, KEYWAYS	15
HANDING.....	15
FINISHES	15
ARCHITECTURAL SPECIFICATIONS	15

WHAT MAKES A GREAT LOCK

- US Patent #5,813,255
- Exceeds 5 Million Cycles (Over 5 times the ANSI/BHMA A156.13-2012 Security Grade 1 Standard)

**Lock Body Designed
For ANSI/BHMA 156.115
Mortise Lock Door Prep**



THREE ESCUTCHEON DESIGNS



F SERIES



J SERIES



J WIDE SERIES

TWO SECTIONAL TRIM DESIGNS (SPECIFIC TO SERIES)



ROUND ROSE



OPTIONAL SQUARE ROSE

DECORATIVE LEVER COLLECTION (SPECIFIC TO SERIES)



BOSTON



CHICAGO



DALLAS



MEMPHIS



MIAMI



ORLANDO



PHILADELPHIA



BALL KNOB

FINISH OPTIONS (SPECIFIC TO SERIES)



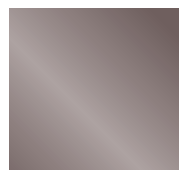
605 (US3)
Bright Brass,
Clear Coated



606 (US4)
Satin Brass,
Clear Coated



612 (US10)
Satin Bronze,
Clear Coated



613 (US10B)
Oil Rubbed Bronze,
Oxidized Satin Bronze,
Oil Rubbed,
No Coating



625 (US26)
Bright Chromium
Plated, No Coating



626 (US26D)
Satin Chromium
Plated, No Coating



630 (US32D)
Satin Stainless Steel,
No Coating



F SERIES



J SERIES



J WIDE SERIES

SPECIFICATIONS

- DOOR PREP:**
 - Fits standard ANSI/BHMA A156.115 for Mortise Locks.
- FOR DOORS:**
 - 1-3/4" standard, 2" and 2-1/4" special order from factory.
- BACKSET:**
 - 2-3/4"
- CASE:**
 - 12-gauge cold rolled steel mechanism
 - Dichromated for corrosion resistance
- ARMOR FRONT:**
 - Beveled 1/8" on 2"
 - 625(US26) & 630 (US32D) use stainless steel as base material, all other finishes use stainless steel or brass as base material
- STRIKE:**
 - Handed Curved Lip Strike
 - 625(US26) & 630 (US32D) use stainless steel as base material, all other finishes use stainless steel or brass as base material
- LATCHBOLT:**
 - 3/4" Throw
 - Investment Cast Stainless Steel
 - Anti-friction
- DEADBOLT:**
 - 1" Throw
 - Investment Cast Stainless Steel
- HANDING:**
 - Most functions field reversible. Specify handing for strikes, consult factory for details
- TRIM:**
 - F trim - forged brass levers, escutcheons and turns.
 - J & JW trim - stainless steel escutcheon and levers, PHL, Mem, MIA and Bsn are solid levers, ORL, DAL and CHI are tube levers. Ball Knobs are wrought.
- KEYS:**
 - Two (2) per Lock
- KEYWAYS:**
 - SCC standard (Schlage C Compatible)
 - Also available in keyways of other manufacturers
- INTERCHANGEABLE CORE:**
 - 6 or 7-pin
 - Compatible with Best, Falcon & Arrow
 - Large Format IC Cores compatible with Schlage.
- CYLINDER:**
 - 6 or 7-pin Brass Mortise Cylinder
- KEYING:**
 - Options: MK, CMK or GMK
 - Zero Bitted (KO), Keyed Different (KD) or Keyed Alike (KA)
 - Can be keyed into existing master key systems
- FINISHES:**
 - F Series Trim: 605 (US3), 606 (US4), 612 (US10), 613 (US10B), 625 (US26), 626 (US26D)
 - J and JW Series Trim: 613 (US10B), 630 (US32D)
 - Antimicrobial Coating available on 626 (US26D) & 630 (US32D) for F, J, and J Wide Series.

CERTIFICATIONS, LISTINGS COMPLIANCES:

- UL/CUL 10C listed for 3 hrs, for single doors up to 4'0" x 8'0"
- Certified to ANSI/BHMA 156.13-2005 Operational Grade 1 and Security Grade 1
- Windstorm Rated - Florida Building Code listed FL3262, ANSI A250.13, ASTM E1886, ASTM E330, Outswing: 350 ft-lbs., Inswing: N/R, Design Load Rating: 2,453 lbf. (functions with deadbolts only)
- Complies with ADA (Americans with Disabilities Act) and ICC/ANSI 117.1 for Accessible and Usable Buildings
- J Wide Series Escutcheon Trim complies with Unified Facilities Guide Specification 08 71 00 (August 2008)
- Meets Federal Specification FF-H-106C

WARRANTY:

- Lifetime Limited Warranty

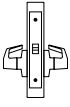

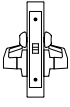
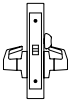

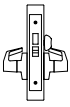
COUNTRY OF ORIGIN:

- Assembled in the U.S.A. with U.S. and foreign material. Meets requirements of the Buy American Act.

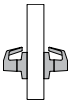
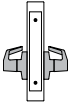
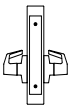
Note: Heavy Duty Spindle for High Abuse situations is available for F trim.

‡ Available with antimicrobial coating, technology that is known to inhibit the growth of microbes.

PDQ FUNCTIONS – NON KEYED

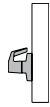

FUNCTION	FUNCTION NUMBER	OUTSIDE INSIDE	DESCRIPTION	ANSI NUMBER
Passage	MR126™		<ul style="list-style-type: none"> Latchbolt operated by lever from either side  Available with option LM - Latch Bolt Monitor	F01
Privacy with Thumbturn on Both Sides	MR174		<ul style="list-style-type: none"> Latchbolt operated by lever from either side Thumbturn outside locks/unlocks outside lever Thumbturn inside locks/unlocks outside lever Closing door unlocks outside lever Rotating inside lever unlocks outside lever 	—
Privacy	MR176™		<ul style="list-style-type: none"> Latchbolt operated by lever from either side Emergency coin turn outside unlocks outside lever Thumbturn inside locks/unlocks outside lever Closing door unlocks outside lever Rotating inside lever unlocks outside lever 	F22
Privacy with Deadbolt	MR178		<ul style="list-style-type: none"> Latchbolt operated by lever from either side Emergency coin turn outside retracts deadbolt Thumbturn inside extends/retracts deadbolt Not field reversible Specify handing 	F02
Privacy with Deadbolt and Egress	MR179		<ul style="list-style-type: none"> Latchbolt operated by lever from either side Emergency coin turn outside retracts deadbolt Thumbturn inside extends/retracts deadbolt Inside lever simultaneously retracts latchbolt and deadbolt 	F19

PDQ FUNCTIONS – NON KEYED DUMMY

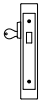

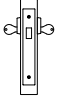

FUNCTION	FUNCTION NUMBER	OUTSIDE INSIDE	DESCRIPTION	ANSI NUMBER
Double Dummy	MR205		<ul style="list-style-type: none"> Rigid outside lever Rigid inside lever 	—
Double Dummy with Chassis	MR206		<ul style="list-style-type: none"> Rigid outside lever Rigid inside lever 	—
Double Dummy with Active Trim	MR207		<ul style="list-style-type: none"> Moveable outside lever Moveable inside lever 	—

 INDICATES RIGID LEVER

PDQ FUNCTIONS – NON KEYED DUMMY

FUNCTION	FUNCTION NUMBER	OUTSIDE INSIDE	DESCRIPTION	ANSI NUMBER
Single Dummy	MR211		<ul style="list-style-type: none"> • Rigid outside lever 	—
Single Dummy with Chassis	MR212		<ul style="list-style-type: none"> • Rigid outside lever 	—

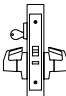

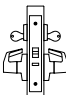
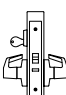




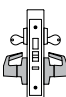
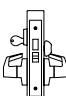
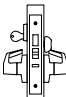
PDQ FUNCTIONS – DEADLOCKS

FUNCTION	FUNCTION NUMBER	OUTSIDE INSIDE	DESCRIPTION	ANSI NUMBER
Single Cylinder Deadbolt	MR131		<ul style="list-style-type: none"> • Key outside extends/retracts deadbolt 	F18
Cylinder and Thumbturn Deadbolt	MR132		<ul style="list-style-type: none"> • Key outside extends/retracts deadbolt • Thumbturn inside extends/retracts deadbolt 	F17
Double Cylinder Deadbolt	MR133		<ul style="list-style-type: none"> • Key outside extends/retracts deadbolt • Key inside extends/retracts deadbolt 	F16
Classroom Deadbolt	MR134		<ul style="list-style-type: none"> • Key outside extends/retracts deadbolt • Inside cylinder turn retracts but does not extend deadbolt • Not field reversible • Specify handing 	F29



INDICATES RIGID LEVER

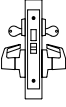
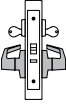
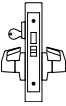
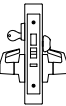
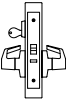
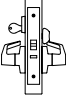

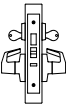
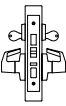
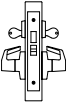
PDQ FUNCTIONS – KEYED

FUNCTION	FUNCTION NUMBER	OUTSIDE INSIDE	DESCRIPTION	ANSI NUMBER
Hold Back Single Cylinder	MR113		<ul style="list-style-type: none"> • Latchbolt operated by lever from inside • Key outside retracts latchbolt • Rigid outside lever • Auxiliary latch deadlocks latchbolt • Key outside secures latchbolt when latchbolt is retracted by inside lever • Not field reversible • Specify handing  Available with option LM - Latch Bolt Monitor	F06
Hold Back Double Cylinder	MR114		<ul style="list-style-type: none"> • Latchbolt operated by lever from inside • Key outside retracts latchbolt • Rigid outside lever • Auxiliary latch deadlocks latchbolt • Key inside secures latchbolt when latchbolt is retracted by inside lever • Not field reversible • Specify handing 	—
Storeroom	MR115		<ul style="list-style-type: none"> • Latchbolt operated by lever from inside • Key outside retracts latchbolt • Rigid outside lever • Auxiliary latch deadlocks latchbolt  Available with option LM - Latch Bolt Monitor	F07
Entry	MR116		<ul style="list-style-type: none"> • Latchbolt operated by lever from either side • Toggle locks/unlocks outside lever • Key outside retracts latchbolt • Auxiliary latch deadlocks latchbolt Available with option LM - Latch Bolt Monitor  Available with option LM - Latch Bolt Monitor	F04
Front Door	MR117		<ul style="list-style-type: none"> • Latchbolt operated by lever from either side • Toggle locks/unlocks outside lever • Key outside retracts latchbolt • Key outside extends/retracts deadbolt • Thumbturn inside extends/retracts deadbolt 	F08 or F10
Institution with Deadbolt	MR128		<ul style="list-style-type: none"> • Key outside retracts latchbolt • Key inside retracts latchbolt • Key outside extends/retracts deadbolt • Key inside extends/retracts deadbolt • Rigid outside lever • Rigid inside lever • Auxiliary latch deadlocks latchbolt 	—
Entrance/Storeroom	MR135		<ul style="list-style-type: none"> • Latchbolt operated by lever from either side • Key outside extends/retracts deadbolt • Thumbturn inside extends/retracts deadbolt 	F21
Dormitory/Exit	MR136		<ul style="list-style-type: none"> • Latchbolt operated by lever from either side • Key outside extends/retracts deadbolt • Thumbturn inside extends/retracts deadbolt • Inside lever simultaneously retracts latchbolt and deadbolt • Auxiliary latch deadlocks latchbolt 	F13



INDICATES RIGID LEVER

PDQ FUNCTIONS – KEYED

FUNCTION	FUNCTION NUMBER	OUTSIDE INSIDE	DESCRIPTION	ANSI NUMBER
Store Door	MR137		<ul style="list-style-type: none"> • Latchbolt operated by lever from either side • Key outside extends/retracts deadbolt • Key inside extends/retracts deadbolt • Key locks/unlocks outside lever 	F14
Institution	MR138		<ul style="list-style-type: none"> • Key outside retracts latchbolt • Key inside retracts latchbolt • Rigid outside lever • Rigid inside lever • Auxiliary latch deadlocks latchbolt 	F30
Closet / Storeroom	MR139		<ul style="list-style-type: none"> • Latchbolt operated by lever from either side • Key outside extends/retracts deadbolt 	—
Storeroom with Deadbolt	MR141		<ul style="list-style-type: none"> • Latchbolt operated by lever from inside • Key outside retracts latchbolt • Key outside extends/retracts deadbolt • Rigid outside lever • Inside lever simultaneously retracts latchbolt and deadbolt • Auxiliary latch deadlocks latchbolt • Thumbturn inside locks/unlocks outside lever 	—
Classroom	MR148		<ul style="list-style-type: none"> • Latchbolt operated by lever from either side • Key outside retracts latchbolt • Inside Lever Always Free • Auxiliary latch deadlocks latchbolt 	F05
Assisted Living	MR149		<ul style="list-style-type: none"> • Latchbolt operated by lever from either side • Key outside locks/unlocks outside lever • Thumbturn inside locks/unlocks outside lever • Closing door unlocks outside lever • Rotating inside lever unlocks outside lever • Auxiliary latch deadlocks latchbolt 	—
Entrance	MR154		<ul style="list-style-type: none"> • Latchbolt operated by lever from either side • Toggle locks/unlocks outside lever • Key outside retracts latchbolt • Key outside extends/retracts deadbolt • Thumbturn inside extends/retracts deadbolt • Inside lever simultaneously retracts latchbolt and deadbolt • Auxiliary latch deadlocks latchbolt • Projecting then retracting the deadbolt releases the toggle 	—
Intruder Deadbolt with Deadlatch	MR157		<ul style="list-style-type: none"> • Latchbolt operated by lever from either side • Key outside extends/retracts deadbolt • Key inside extends/retracts deadbolt • Inside lever simultaneously retracts latchbolt and deadbolt • Auxiliary latch deadlocks latchbolt 	F34
Dormitory	MR158		<ul style="list-style-type: none"> • Latchbolt operated by lever from either side • Toggle locks/unlocks outside lever • Key outside extends/retracts deadbolt • Key inside extends/retracts deadbolt • Inside lever simultaneously retracts latchbolt and deadbolt • Auxiliary latch deadlocks latchbolt 	F11
Dormitory	MR159		<ul style="list-style-type: none"> • Latchbolt operated by lever from either side • Key outside extends/retracts deadbolt • Key inside extends/retracts deadbolt • Inside lever simultaneously retracts latchbolt and deadbolt 	F33

 Available with option LM - Latch Bolt Monitor

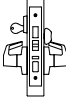
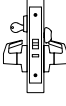
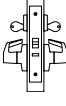

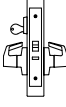


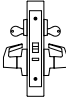

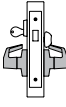
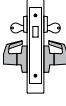
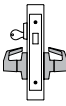


 Available with option LM - Latch Bolt Monitor



INDICATES RIGID LEVER

PDQ FUNCTIONS – KEYED

FUNCTION	FUNCTION NUMBER	OUTSIDE INSIDE	DESCRIPTION	ANSI NUMBER
Apartment/ Corridor	MR162		<ul style="list-style-type: none"> • Latchbolt operated by lever from either side • Toggle locks/unlocks outside lever • Key outside retracts latchbolt • Key outside extends/retracts deadbolt • Thumbturn inside extends/retracts deadbolt • Inside lever simultaneously retracts latchbolt and deadbolt • Auxiliary latch deadlocks latchbolt 	F20
Office	MR181		<ul style="list-style-type: none"> • Latchbolt operated by lever from either side • Key outside locks/unlocks outside lever • Thumbturn inside locks/unlocks outside lever • Closing door unlocks outside lever • Rotating inside lever unlocks outside lever • Auxiliary latch deadlocks latchbolt 	—
Apartment	MR186		<ul style="list-style-type: none"> • Latchbolt operated by lever from either side • Key inside locks/unlocks outside lever • Key outside retracts latchbolt • Auxiliary latch deadlocks latchbolt 	F09
Electrified Storeroom	 MR199A		<ul style="list-style-type: none"> • Key outside retracts latchbolt • Latchbolt operated by lever from inside • Auxiliary latch deadlocks latchbolt • Fail safe – latchbolt operated by lever from outside unless electrically locked • Fail secure – latchbolt operated by lever from outside when electrically unlocked • Motor drive locking/unlocking • Not field reversible • Specify handing <p> Available with options: LM - Latch Bolt Monitor REX - Request to Exit</p>	—
Electrified Institutional	 MR200		<ul style="list-style-type: none"> • Key outside retracts latchbolt • Key inside retracts latchbolt • Auxiliary latch deadlocks latchbolt • Fail safe – latchbolt operated by either lever when electrically locked • Fail secure – latchbolt operated by either lever when electrically unlocked • Motor drive locking/unlocking • Not field reversible • Specify handing <p> Available with options: LM - Latch Bolt Monitor REX - Request to Exit</p>	—
Cylinder and Thumbturn Deadbolt with Dummy Trim	MR213		<ul style="list-style-type: none"> • Key outside extends/retracts deadbolt • Thumbturn inside extends/retracts deadbolt • Rigid outside lever • Rotating inside lever retracts deadbolt 	—
Double Cylinder Deadbolt with Dummy Trim	MR214		<ul style="list-style-type: none"> • Key outside extends/retracts deadbolt • Key inside extends/retracts deadbolt • Rigid outside lever • Rotating inside lever retracts deadbolt 	—
Single Cylinder Deadbolt with Dummy Trim	MR215		<ul style="list-style-type: none"> • Key outside extends/retracts deadbolt • Rigid outside lever • Rotating inside lever retracts deadbolt 	—










INDICATES RIGID LEVER

PDQ INDICATOR FUNCTIONS

- Locked/Unlocked Indicator conforms with ANSI Z535.1 Safety Colors: Red and Green.



Shown with optional Security Screws. For more information, contact PDQ Customer Service

FUNCTION	FUNCTION NUMBER	OUTSIDE INSIDE	DESCRIPTION	ANSI NUMBER
Intruder Deadbolt with Deadlatch	MR257		<ul style="list-style-type: none"> • Latchbolt operated by lever from either side • Key outside extends/retracts deadbolt • Key inside extends/retracts deadbolt • Inside lever simultaneously retracts latchbolt and deadbolt • Auxiliary latch deadlocks latchbolt • Indicator, inside — LOCKED (red) / UNLOCKED (green)  	F34 w/Indicator
Dormitory	MR259		<ul style="list-style-type: none"> • Latchbolt operated by lever from either side • Key outside extends/retracts deadbolt • Key inside extends/retracts deadbolt • Inside lever simultaneously retracts latchbolt and deadbolt • Indicator, inside — LOCKED (red) / UNLOCKED (green) 	F33 w/Indicator
Faculty Restroom with Deadbolt w/Indicator	MR260		<ul style="list-style-type: none"> • Latchbolt retracted by key outside or lever inside • Key outside extends/retracts deadbolt • Rigid outside lever • Thumbturn inside extends/retracts deadbolt • Rotating inside lever retracts deadbolt and latchbolt simultaneously • Inside lever is always free for immediate egress • Indicator, outside — Vacant/Occupied 	—
Privacy w/Indicator	MR276		<ul style="list-style-type: none"> • Latchbolt operated by lever from either side • Emergency coin turn outside unlocks outside lever • Thumbturn inside locks/unlocks outside lever • Closing door unlocks outside lever • Rotating inside lever unlocks outside lever • Indicator, outside — Vacant/Occupied 	F22 w/Indicator
Privacy with Deadbolt w/Indicator	MR278		<ul style="list-style-type: none"> • Latchbolt operated by lever from either side • Emergency coin turn outside retracts deadbolt • Thumbturn inside extends/retracts deadbolt • Indicator, outside — Vacant/Occupied 	F02 w/Indicator
Privacy with Deadbolt and Egress w/Indicator	MR279		<ul style="list-style-type: none"> • Latchbolt operated by lever from either side • Emergency coin turn outside retracts deadbolt • Thumbturn inside extends/retracts deadbolt • Inside lever simultaneously retracts latchbolt and deadbolt • Indicator, outside — Vacant/Occupied 	F19 w/Indicator

Notes: Functions MR257, MR259 and MR260 not available in 7 Pin SFIC or LFIC.



INDICATES RIGID LEVER

LET US HELP YOU — WIN MORE PROJECTS!!

PDQ offers complimentary key systems design, project quotation and cross reference services—
To get started, contact our quote desk at 800-441-9692

CROSS REFERENCE

ANSI #	PDQ FUNCTION	ARROW	BEST	CORBIN	DORMA	FALCON	MARKS	SARGENT	SCHLAGE	YALE
DUMMY 1 SIDE	MR211	BM/AM08	45H1DT	ML2050	M9001	MA12	DI/DO	8293	L0170	AU865
DUMMY 1 SIDE	MR212	N/A	N/A	N/A	M9003	N/A	N/A	N/A	L9175	N/A
DUMMY 2 SIDES	MR207	BM/AM09	45H2DT	ML2071	M9002	MA18	DT	8294	L0172	AU838A
DUMMY 2 SIDES	MR206	N/A	N/A	N/A	M9004	N/A	N/A	N/A	L9176	N/A
F01	MR126	BM/AM01	45HN	ML2071	M9010	MA101	5N	8215	L9010	AU8801FL
F02	MR178	N/A	N/A	ML2020	N/A	MA301	5-55L	8268	N/A	N/A
F04	MR116	BM/AM22	45HA	ML2051	M9050	MA521	5E	8205	L9050	AU8807FL
F05	MR148	BM/AM17	45HR	ML2055	M9070	MA561	5J	8237	L9070	AU8808FL
F06	MR113	N/A	45HR/HB	ML2056	M9076	MA551	5JM/JR	8289	L9076	AU8800
F07	MR115	BM/AM12	45HD	ML2057	M9080	MA581	5EW	8204	L9080	AU8805FL
F09	MR186	BM/AM32	45HC	ML2042	M9060	MA381	5G	8216	L9060	AU8817-2FL
F11	MR158	N/A	N/A	N/A	M9957	N/A	5FA	N/A	N/A	AU8800
F13	MR136	BM/AM19	45HT	ML2065	M9956	MA571	5FW	8225	L9456	AU8822FL
F14	MR137	BM/A/31	45HG	ML2017	M9966	MA371	5C	8226	L9466	AU8860-2FL
F16	MR133	BM42	45HWD	ML2012	N/A	M931	5T	8222	L9462	AU8814-2
F17	MR132	BM41	45HAD	ML2013	N/A	M941	5P	8221	L9460	AU8815
F18	MR131	BM40	45HYB	NML2011	N/A	MA921	5S	8220	L9464	AU8814
F19	MR179	BM/AM02	45HL	ML2030	M9940	MA311	5LF	8266	L9440	AU8802FL
F20	MR162	BM/AM20	45HAB	ML2067	M9953	MA531	5FD	8243	L9453	AU8847FL
F21	MR135	BM/AM13	45HB	ML2024	M9973	MA541	5B	8224	L9473	AU8860FL
F22	MR176	BM/AM26	45HLT	ML2060	M9040	MA321	5LJ	8265	L9040	AU8862FL
F29	MR134	BM44	45HRD	ML2017	MB9963	M911	5SC	8203	L9463	AU8813ST
F30	MR138	BM/AM33	45HW	ML2032	M9082	MA411	5WW	N/A	L9082	AU8830-2FL
F31	SEE TJ SERIES	BM/AM07	45HNX	N/A	M9025	MA161	5EX	N/A	N/A	AU8828
F33	MR159	N/A	45HIND	N/A	M9968	N/A	5FX	N/A	L9457	AU8811-2FL
F34	MR157	N/A	45HIDA	ML2022	M9967	MA431	5FC	8240	N/A	AU8812-2FL
	MR199A	BM/AM17/177	45HEL	ML22901	M9080EL	MA851	5EL	8270	L9080EL	AU8890FL
	MR199A	BM/AM17/178	45HEU	ML22904	M9080EU	MA881	5EU	8270	L9080EU	AU8891FL
	MR199A W/REX	N/A	45HEURQE	ML22901 M92	M9080ELRX	N/A	5EL W10	RX-8272	L9080ELRX	AU8890FLREX
	MR199A W/REX	N/A	45HEURQE	ML22904 M92	M9080ELRX	N/A	5EU W10	RX-8273	L9080EU-rx	AU8891FLREX

LEVER AND KNOB OPTIONS	PDQ	ARROW	BEST	CORBIN	DORMA	FALCON	MARKS	SARGENT	SCHLAGE	YALE
LEVER	BOSTON	BR	14	PS	LC	Q QUANTUM	CRESCENT	P	17SPARTA	PB PACIFIC
	CHICAGO	N	N/A	RS	LA	N/A	MAXWELL	ME	02	PNR
	DALLAS	HS	3	LS LUSTR	LT	K KIM	PLAZA LEVER	J	03TUBULAR	CR CARMEL
	MEMPHIS	WL	69	DS	L114	N/A	N/A	MV	12	TT
	MIAMI	V	16	AS	LG	A AVALON	TITAN LEVER	B	07ATHENS	JN JEFFERSON
	ORLANDO	N/A	N/A	N/A	N/A	N/A	N/A	N/A	LATITUDE	N/A
	PHILADELPHIA	X	15	NS NEWPORT	LR	D DANE	AMERICAN LEVER	L	06 RHODES	AU AUGUSTA
KNOB	N/A	HB	4	YW	KB	T TROY	ROUND KNOB	C	41 PLYMOUTH	LF LITCHFIELD
	K	HT	N/A	GR	KB	H HANA	ROUND KNOB	B	42 ORBIT	CA CAROLINA
	N/A	A	R	F	KB	G GALA	RW	N/A	B	R

Information on this sheet is compiled from public documents and third parties. As a result, PDQ makes no guarantees as to their accuracy, content, quality or availability. Comparisons were made using the technical features only and are not commercial comparisons. Final suitability should be determined by a professional hardware consultant.

F SERIES



DECORATIVE LEVER COLLECTION



BOSTON



MIAMI



PHILADELPHIA

FINISH OPTIONS



605 (US3)
Bright Brass,
Clear Coated



606 (US4)
Satin Brass,
Clear Coated



612 (US10)
Satin Bronze,
Clear Coated

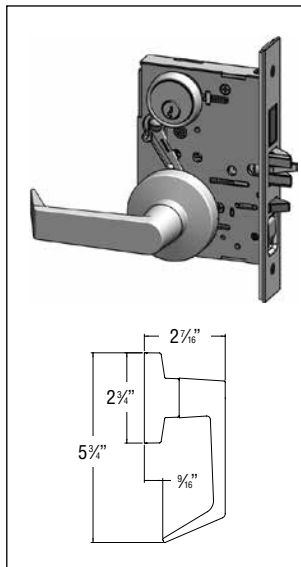


625 (US26)
Bright Chromium
Plated, No Coating

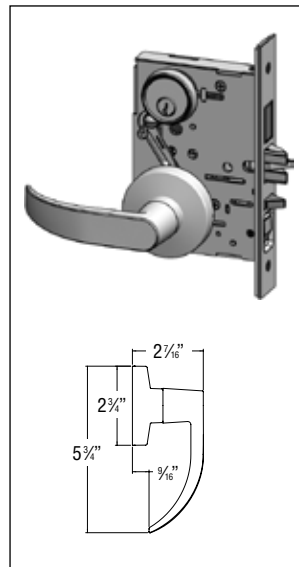


626 (US26D)
Satin Chromium
Plated, No Coating

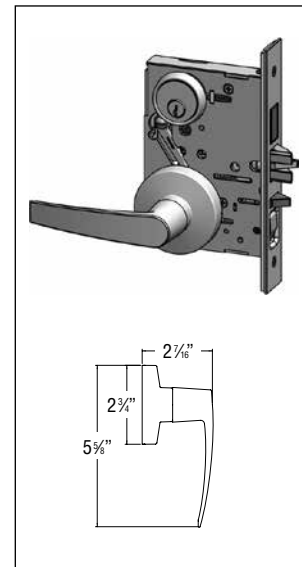
SECTIONAL TRIM



PHILADELPHIA (PFSF)



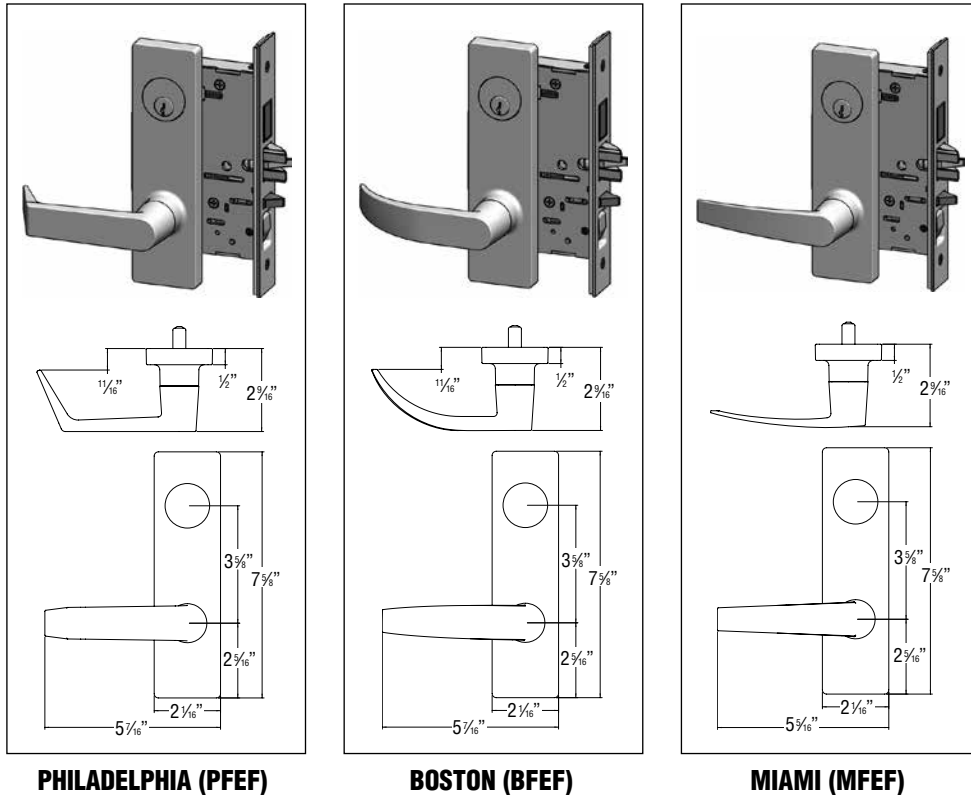
BOSTON (BFSF)



MIAMI (MFSF)

F SERIES

ESCUTCHEON TRIM



PHILADELPHIA (PFEF)

BOSTON (BFEF)

MIAMI (MFEF)

HOW TO ORDER F SERIES MORTISE LOCKS

SERIES	FUNCTION	OPTIONS	TRIM	FINISH	HANDING ¹	CYLINDER	KEYWAY OR HOUSING	KEYING
MR	SEE FUNCTIONS TABLE	LM	PFEF	626	RH	D	SCC - Default Others - See Keyway Table on page 19	KD - Keyed Different, Default Others - See Keying Table on Page 19
		LM — Latch Bolt Monitoring REX — Request to Exit (Functions 199A and 200 only).	<div style="border: 1px solid black; padding: 5px; display: inline-block;"> P F EF </div>	605 (US3) Bright Brass 606 (US4) Satin Brass 612 (US10) Satin Bronze 613 (US10B) Oil Rubbed Bronze 625 (US26) Bright Chrome 626 (US26D)atin Chrome	RH — Right Hand (Default) RHR — Right Hand Reverse LH — Left Hand LHR — Left Hand Reverse	D — Conventional Mortise Cylinder (Default) L — Less Cylinder SF6 — SFIC w/Core, 6 Pin SF7 — SFIC w/Core, 7 Pin LF — Schalge [®] Compatible LFIC w/Core SF6L — SFIC 6 Pin Housing less core SF7L — SFIC 7 Pin Housing, less core LFL — Schalge [®] Compatible LFIC Housing less core		

LEVER DESIGN
B — BOSTON
M — MIAMI
P — PHILADELPHIA
TRIM SERIES
F
TRIM TYPE
SF — SECTIONAL, ROUND ROSE
EF — ESCUTCHEON

Notes:
1 - Handing is required for functions MR113, MR114, MR134, MR178, MR199A.

Example: PFEF = Philadelphia Lever, F Series, Escutcheon TRIM

J SERIES



**SECTIONAL TRIM WITH ROUND ROSE,
PHILADELPHIA LEVER**



**ESCUTCHEON TRIM,
PHILADELPHIA LEVER**



**WIDE ESCUTCHEON TRIM,
PHILADELPHIA LEVER**

DECORATIVE COLLECTION



BOSTON



CHICAGO



DALLAS



MEMPHIS



MIAMI



ORLANDO



PHILADELPHIA



BALL KNOB

FINISH OPTIONS



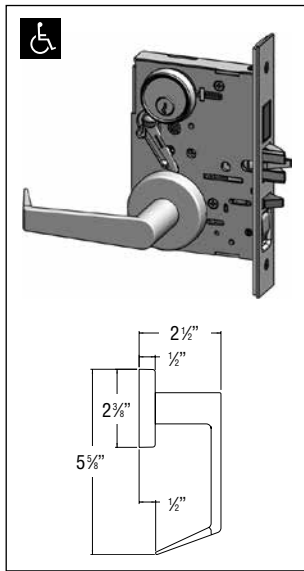
613 (US10B)
Oil Rubbed Bronze,
Oxidized Satin Bronze,
Oil Rubbed,
No Coating



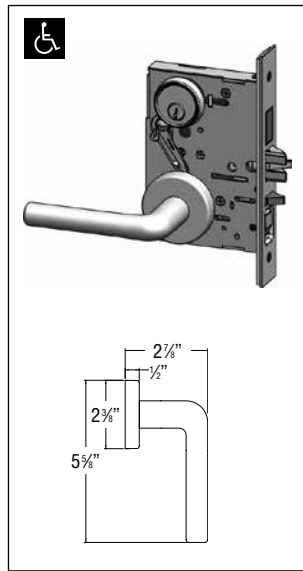
630 (US32D)
Satin Stainless Steel,
No Coating

J SERIES

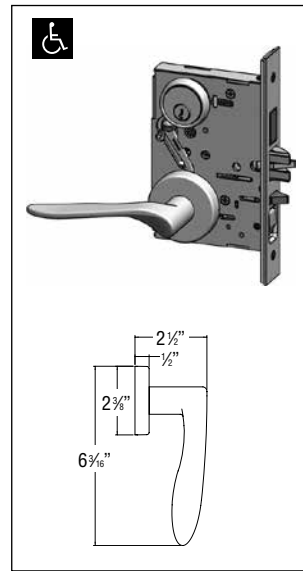
SECTIONAL TRIM WITH ROUND ROSE



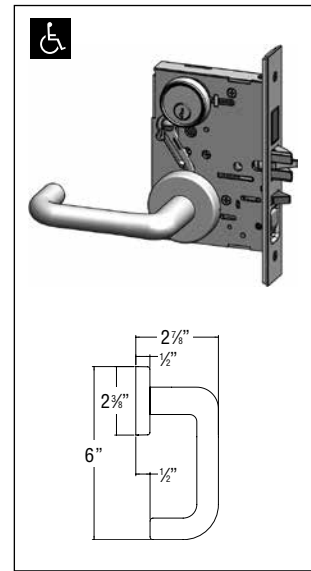
PHILADELPHIA (PJSJ)



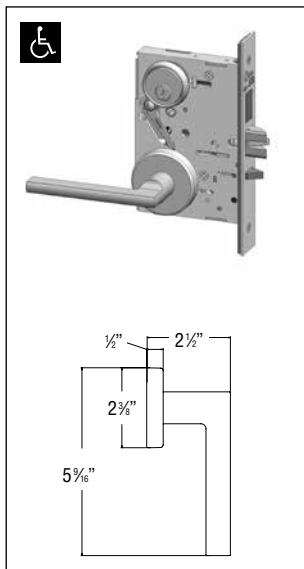
CHICAGO (CJSJ)



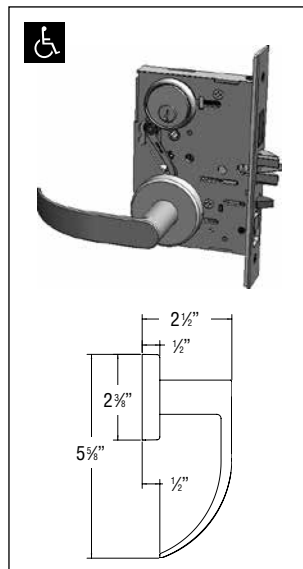
**MEMPHIS (TJSJ)
(SPECIFY HANDING)**



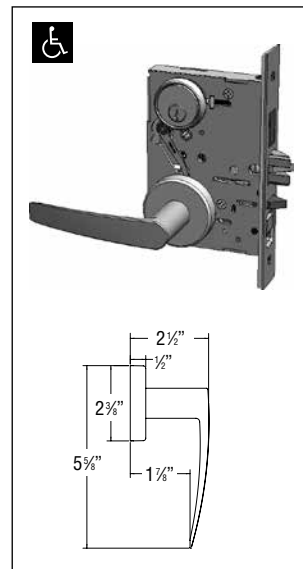
DALLAS (DJSJ)



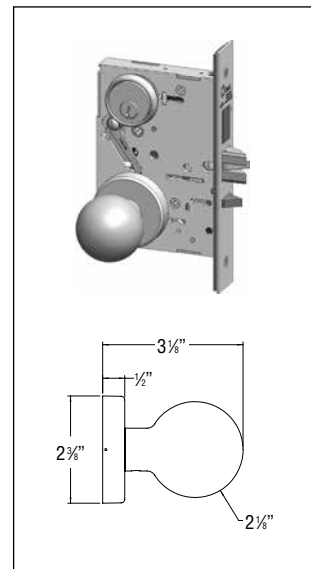
ORLANDO (OJSJ)



BOSTON (BJSJ)



MIAMI (MJSJ)

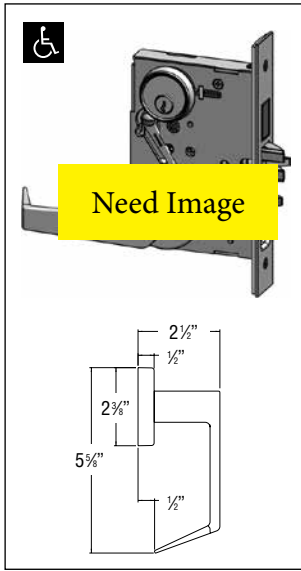


Ball Knob (KJSJ)

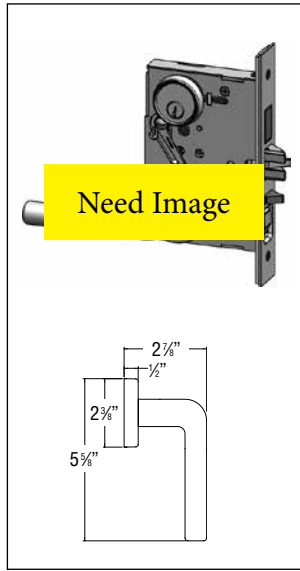
 * Denotes Compliance with ADA Guidelines

J SERIES

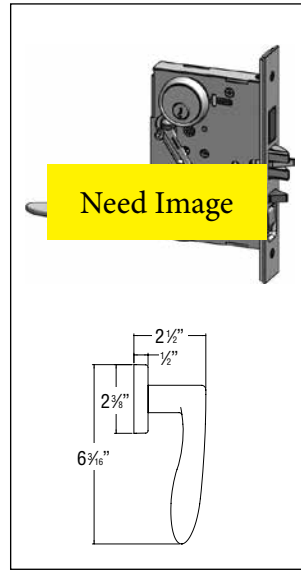
SECTIONAL TRIM WITH SQUARE ROSE



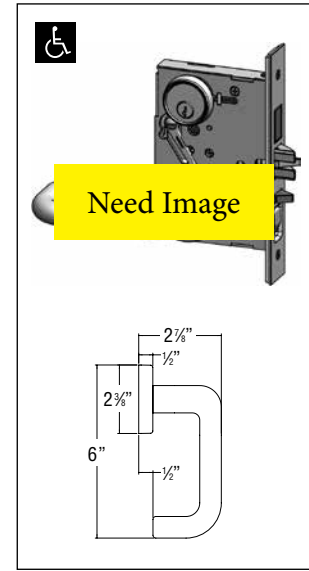
PHILADELPHIA (PJSR)



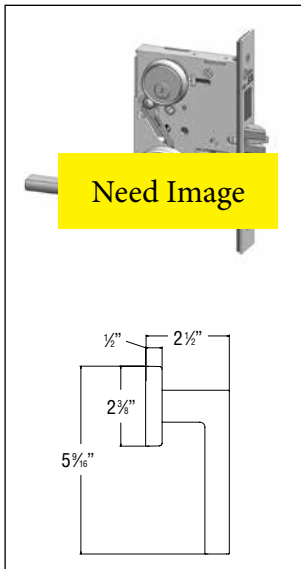
CHICAGO (CJSR)



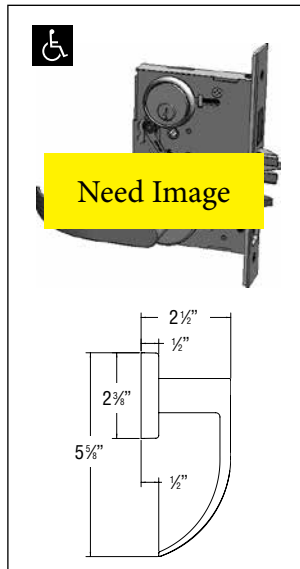
**MEMPHIS (TJSR)
(SPECIFY HANDING)**



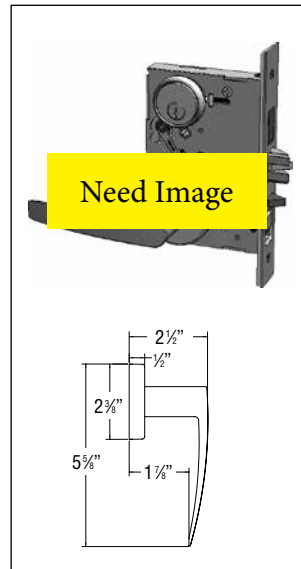
DALLAS (DJSR)



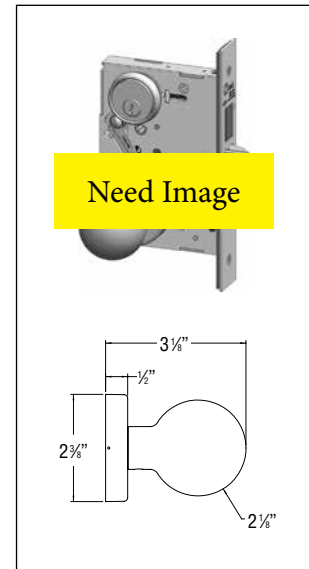
ORLANDO (OJSR)



BOSTON (BJSR)



MIAMI (MJSR)

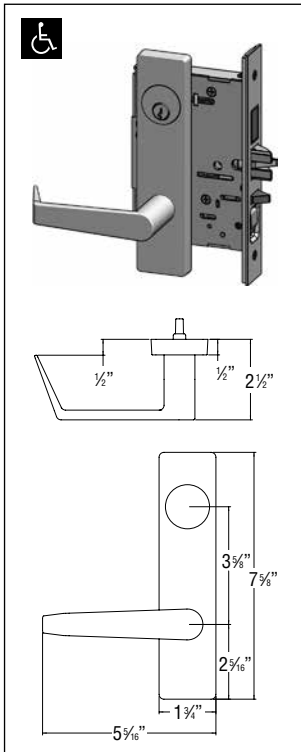


Ball Knob (KJSR)

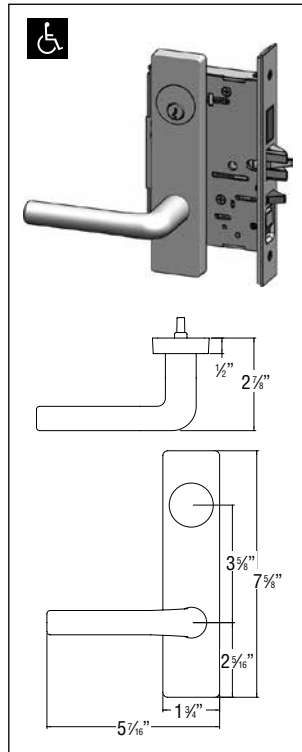
 * Denotes Compliance with ADA Guidelines

J SERIES

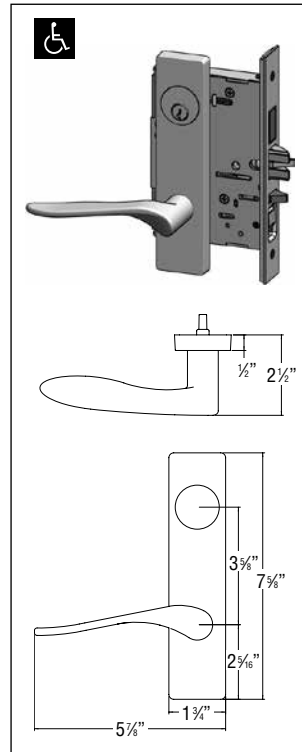
ESCUTCHEON TRIM



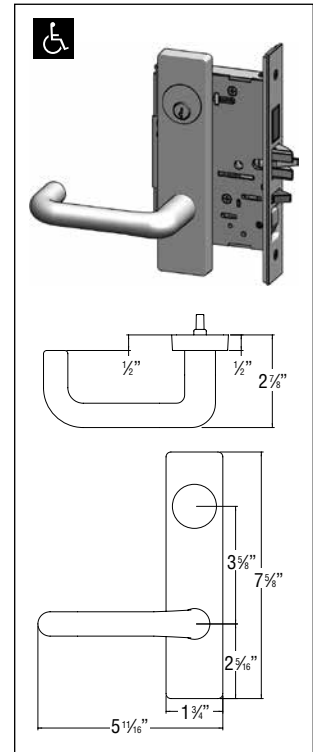
PHILADELPHIA (PJEJ)



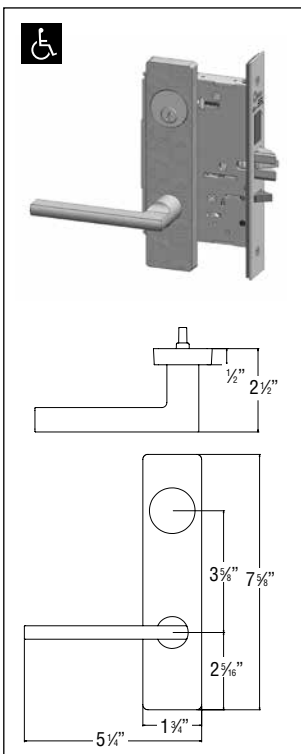
CHICAGO (CJEJ)



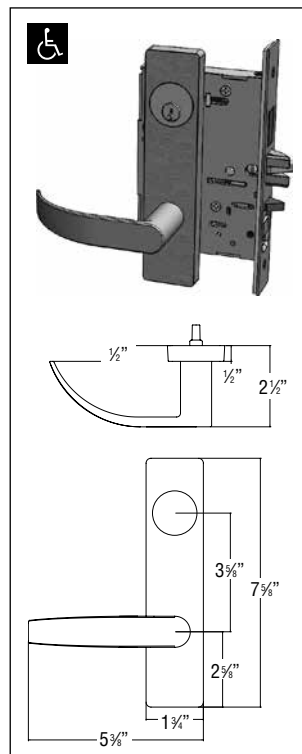
**MEMPHIS (TJEJ)
(SPECIFY HANDING)**



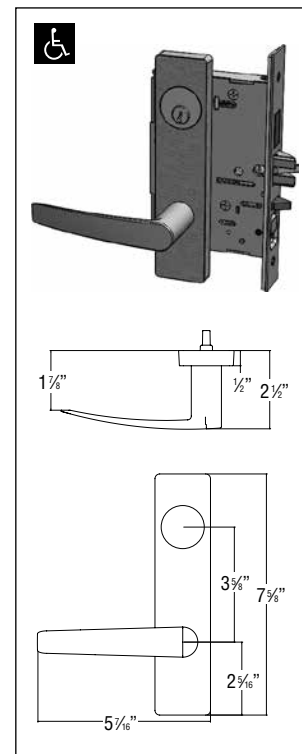
DALLAS (DJEJ)



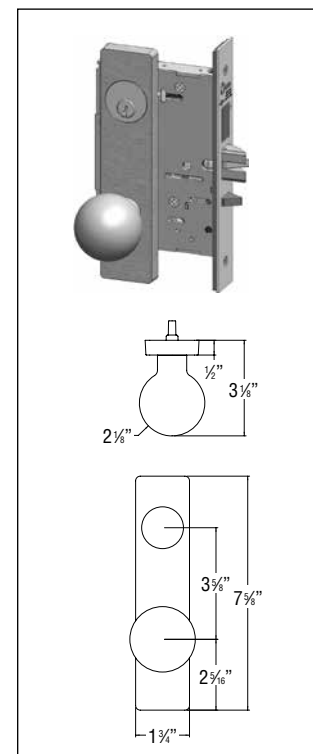
ORLANDO (OJEJ)



BOSTON (BJEJ)



MIAMI (MJEJ)

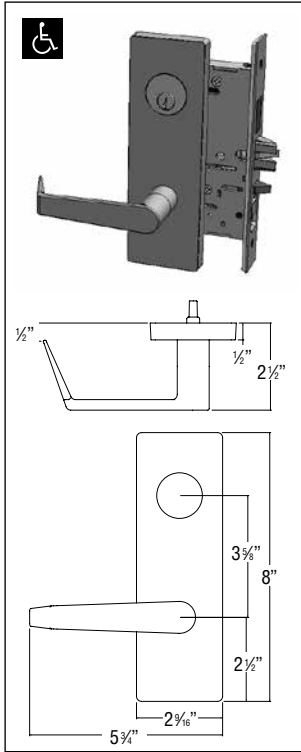


BALL KNOB (KJEJ)

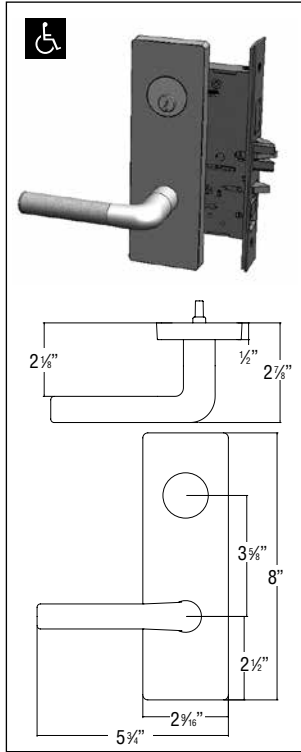
 * Denotes Compliance with ADA Guidelines

J SERIES

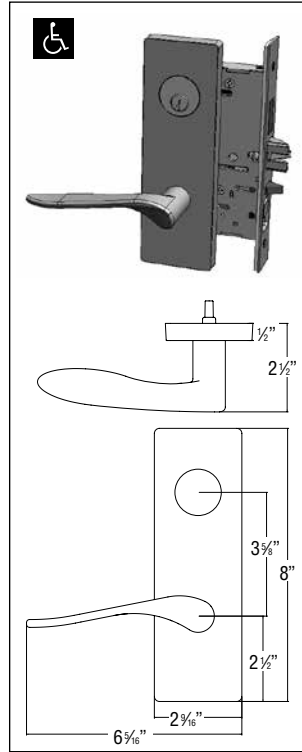
WIDE ESCUTCHEON TRIM



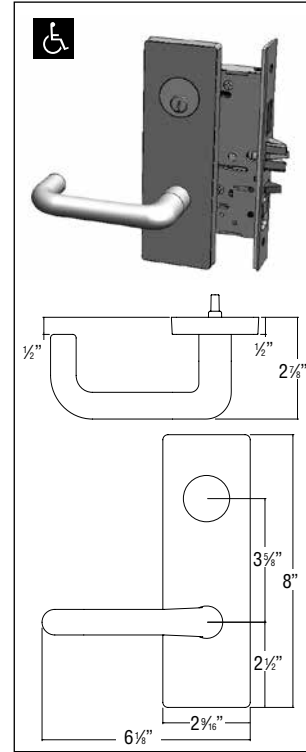
PHILADELPHIA (PJEW)



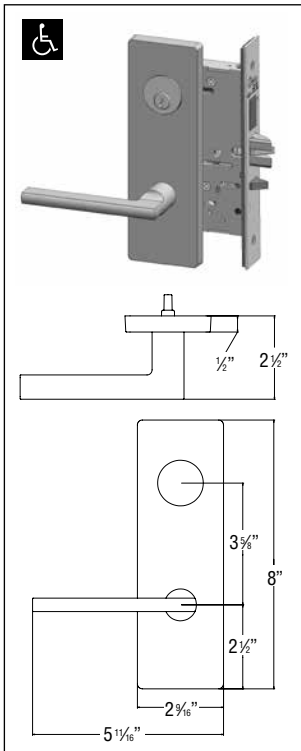
CHICAGO (CJEW)



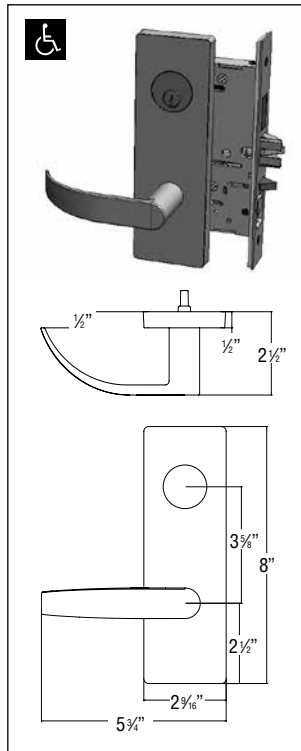
**MEMPHIS (TJEW)
(SPECIFY HANDING)**



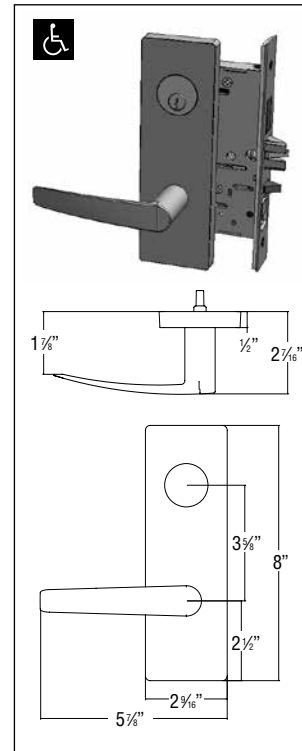
DALLAS (DJEW)



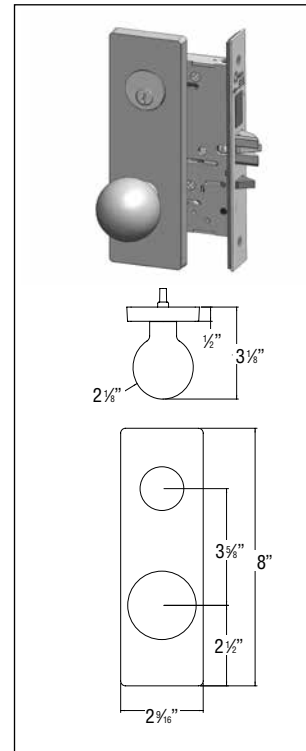
ORLANDO (OJEW)



BOSTON (BJEW)



MIAMI (MJEW)



BALL KNOB (KJEW)

 * Denotes Compliance with ADA Guidelines

HOW TO ORDER J SERIES MORTISE LOCKS

SERIES	FUNCTION	OPTIONS	TRIM	FINISH	HANDING ¹	CYLINDER	KEYWAY OR HOUSING	KEYING
MR	SEE FUNCTIONS TABLE	LM	PJEJ	630	RH	D	SCC -Default Others - See Keyway Table	KD - Keyed Different Others - See Keying Table
		LM — Latch Bolt Monitoring REX — Request to Exit (Functions 199A and 200 only).	FPO P J E J	630 (US32D) Satin Stainless Steel	RH — Right Hand (Default) RHR — Right Hand Reverse LH — Left Hand LHR — Left Hand Reverse	D — Conventional Mortise Cylinder (Default) L — Less Cylinder SF6 — SFIC w/Core, 6 Pin SF7 — SFIC w/Core, 7 Pin LF — Schalgel [®] Compatible LFIC w/Core SF6L — SFIC 6 Pin Housing less core SF7L — SFIC 7 Pin Housing, less core LFL — Schalgel [®] Compatible LFIC Housing less core		

LEVER DESIGN
K — BALL KNOB
B — BOSTON
C — CHICAGO
D — DALLAS
T — MEMPHIS
M — MIAMI
O — ORLANDO
P — PHILADELPHIA
TRIM SERIES
J
TRIM TYPE
EJ — ESCUTCHEON
EW — ESCUTCHEON WIDE
FJ — SECTIONAL, ROUND ROSE
SR — SECTIONAL, SQUARE ROSE

FPO

Notes:
1 - Handing is required for functions MR113, MR114, MR134, MR178, MR199A.

Example: PJEJ = Philadelphia Lever, J Series, Escutcheon Trim

KEYWAYS

CONVENTIONAL CYLINDER		SMALL FORMAT INTERCHANGEABLE CORE		LARGE FORMAT INTERCHANGEABLE CORE	
KEYWAY	PDQ KEYWAY DESIGNATOR	KEYWAY (BEST COMPATIBLE)	PDQ KEYWAY DESIGNATOR	KEYWAY (SCHLAGE COMPATIBLE)	PDQ KEYWAY DESIGNATOR
Schlage C (Default)	SCC	BEST A (Default), B, C, D, E, F, G, H, J, K, L, M, Q, R, WA, WB, WG, WH, TB, TD, TE, R	A (Default), B, C, D, E, F, G, H, J, K, L, M, Q, R, WA, WB, WG, WH, TB, TD, TE, R	Schlage C (Default)	SCC (Default)
PDQ Restricted	TA				
Arrow AR1	ARA				
Corbin 59A1	CO59A1				
Corbin 60	CO6				
Corbin L4	CL4				
Russwin D1	RUD			PDQ Exclusive	PDQ1
Russwin 981	RUD981			PDQ Exclusive and Restricted	PDQ2
Schlage E	SCE			PDQ3	
Schlage C	SCC				
Schlage C-K	SCC-K				
Sargent LA	SAL				
Sargent RA-RC	RA-RC				
Yale E1R	YA8				
Yale GA	GA				
Falcon E-R	FAL				
Kwikset	KW				

KEYING

DESCRIPTION	PDQ KEYING DESIGNATOR
Keyed Different (Default)	KD
Keyed Alike	KA
"0" Zero Bitted	KO
Master Keyed	MK
Construction Master Keyed	CMK
Grand Master Keyed	GMK

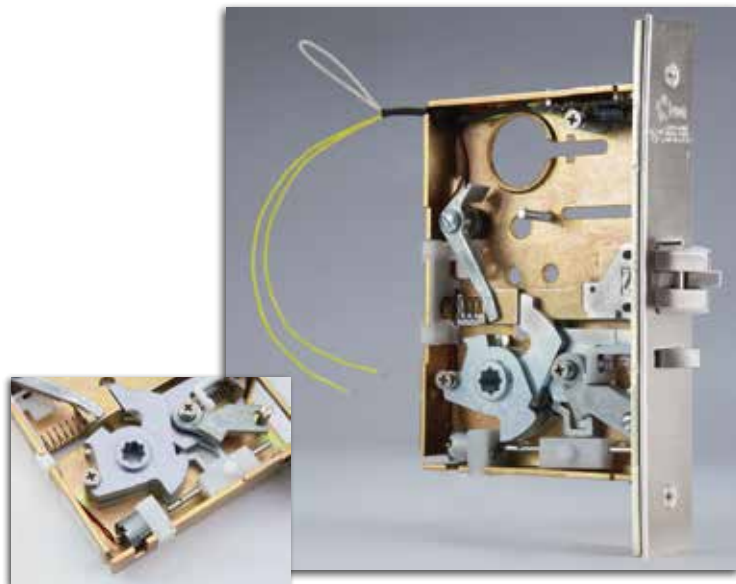


ELECTRONIC ACCESS CONTROL



ELECTRIFIED MORTISE LOCKS

- Motorized locking/unlocking.
 - FAIL SECURE** (Factory Default)– Outside trim is UNLOCKED when power is ON, and LOCKED when power is OFF. Lockset will lock in the event of a power failure.
 - FAIL SAFE** – Outside trim is LOCKED when power is ON, and UNLOCKED when power is OFF. Lockset will unlock in the event of a power failure.
- Field changeable from FAIL SECURE to FAIL SAFE.
- Built around PDQ's world class MR series mortise lock chassis platform.
- Designed for AC or DC input voltage. No need to select voltage when specifying or ordering.
- Under U.S. law, qualifies for Made in U.S.A., of U.S. and imported parts.
- Meets requirements of the Buy American Act.
- SMARTSENSE™ control board automatically accepts AC or DC input voltage.



Innovative motor drive controls FAIL SECURE or FAIL SAFE locking mode.

PERFORMANCE

- Motor drive factory tested to over 1.4 million cycles (1.4 times the ANSI/BHMA grade 1 std).

RECOMMENDED POWER SUPPLY

- PDQ Model # 81440.
 - Input: 120VAC, .9A, 50/60Hz 240VAC, .6A, 50/60Hz
 - Output: 24VDC, 2A, filtered and regulated.
- Rated for simultaneous operation of 2ea mortise lock assemblies.
- Power Supply Requirements:
 - AC/DC Output Voltage – 1A min (filtered and regulated).
- 12-24VDC @ < 1A initial surge (1 sec), 5mA standby after 30 sec.
 - AC Output Voltage.
- 12-24VAC (60Hz) @ < 1A initial surge (1 sec), 15mA standby after 30 sec

ELECTRICAL SPECIFICATIONS

- Note: Operating voltage at ± 10% of rated voltage.
- Input voltage: 12-24VDC or 12-24VAC.
 - Max In-rush current: < 1.0A.
 - Standby current:
 - 12VAC: 12mA.
 - 24VAC: 10mA.
 - 12VDC: 3mA.
 - 24VDC: 5mA.

CERTIFICATIONS, COMPLIANCES, LISTINGS

- ANSI/UL10C and CAN/ULC-5104 Listed for “Fire Exit Hardware” up to 3 hours for 4’0” x 8’0” maximum single, 8’0” x 8’0” maximum pairs.
- Assembled in the U.S.A. with U.S. and foreign material. Meets requirements of the Buy American Act.

PDQ FUNCTIONS – KEYED AND ELECTRIFIED

FUNCTION	FUNCTION NUMBER	OUTSIDE INSIDE	DESCRIPTION	ANSI NUMBER
Electrified Storeroom	MR199A		<ul style="list-style-type: none"> • Key outside retracts latchbolt • Latchbolt operated by lever from inside • Auxiliary latch deadlocks latchbolt • Fail safe – latchbolt operated by lever from outside unless electrically locked • Fail secure – latchbolt operated by lever from outside when electrically unlocked • Motor drive locking/unlocking • Not field reversible • Specify handing <p> Available with option LM - Latch Bolt Monitor</p>	—
Electrified Institutional	MR200		<ul style="list-style-type: none"> • Key outside retracts latchbolt • Key inside retracts latchbolt • Auxiliary latch deadlocks latchbolt • Fail safe – latchbolt operated by either lever when electrically locked • Fail secure – latchbolt operated by either lever when electrically unlocked • Motor drive locking/unlocking <p> Available with option LM - Latch Bolt Monitor</p>	—



ELECTRONIC ACCESS CONTROL

REQUEST FOR EXIT, OPTION: REX

- CURRENT
 - 3.0A @ 125VAC
 - 2.0A @ 30VDC
- Available in F and J Series, Functions MR 199A and MR 200 only.

LATCH BOLT MONITORING, OPTION: LM

- CURRENT
 - 3.0A @ 125VAC
 - 2.0A @ 30VDC
- Available with functions MR113, MR115, MR116, MR126, MR138, MR148, MR199A, MR200

85003 ELECTRIC STRIKE

- Designed for use with all PDQ MR Series Mortise Locks Without Deadbolt.

FEATURES

- Input voltage:12-24 VDC
- Field changeable from FAIL SECURE to FAIL SAFE
- Factory tested to 1,000,000 cycles

CURRENT

- 0.28A @ 12VDC
- 0.14A @ 24 VDC

FINISH

- 630 (US32D) Finish

It is strongly recommended that you consult a licensed electrician to determine wire size based upon your wire runs to prevent voltage drop. All wiring must meet local codes



MINIMUM WIRE GAGE CHART (AWG) FOR 24V AC/DC

AMPS	25 FEET	50 FEET	75 FEET	100 FEET	150 FEET	200 FEET	250 FEET	300 FEET
0.25 AMPS	18 GAGE	18 GAGE	18 GAGE	18 GAGE	18 GAGE	18 GAGE	18 GAGE	18 GAGE
0.50 AMPS	18 GAGE	18 GAGE	18 GAGE	18 GAGE	18 GAGE	18 GAGE	18 GAGE	16 GAGE
0.75 AMPS	18 GAGE	18 GAGE	18 GAGE	18 GAGE	18 GAGE	16 GAGE	16 GAGE	14 GAGE
1.00 AMPS	18 GAGE	18 GAGE	18 GAGE	18 GAGE	16 GAGE	16 GAGE	14 GAGE	14 GAGE
1.50 AMPS	18 GAGE	18 GAGE	18 GAGE	16 GAGE	16 GAGE	14 GAGE	—	—
2.00 AMPS	18 GAGE	18 GAGE	16 GAGE	16 GAGE	14 GAGE	—	—	—
2.50 AMPS	18 GAGE	18 GAGE	16 GAGE	14 GAGE	—	—	—	—
3.00 AMPS	18 GAGE	18 GAGE	14 GAGE	14 GAGE	—	—	—	—

Distance In Feet For 2 conductor wire from Power Source To Locking Device

ELECTRONIC ACCESS CONTROL



81440 SERIES POWER SUPPLY

- Rated for simultaneous operation of 2ea Functions MR199A or MR200 Fail Secure/Fail Safe Mortise Lock assemblies.

FEATURES

- UL 294 Listed
- Filtered and Regulated 24 VDC OUTPUT for multiple devices, 2.0A maximum load
- Locking device outputs are isolated from control switch
- Continuous 24 VDC output for devices such as keypads, motion detectors or door status indicators
- Multiple power input options
- Class 2 rated outputs

INPUT

- 120 VAC*, 0.9A, 50/60Hz
- 240 VAC*, 0.6A, 50/60Hz
- Automatic input voltage detection

OUTPUT

- Switched** 24 VDC, 2.0A* filtered and regulated
- Continuous 24 VDC, 2.0A* filtered and regulated

* - 24 VDC, 2.0A maximum across all outputs

** - Isolated from continuous terminal block and surge suppressed

PROTECTION

- Overload
- Over voltage
- Short Circuit

ENCLOSURE DIMENSIONS

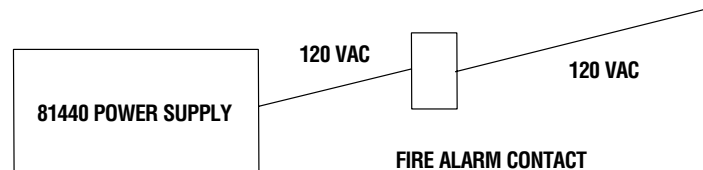
- 10" x 10" x 4"

ENCLOSURE TYPE

- NEMA 1 screw cover junction box, interior mounting only

ENCLOSURE WEIGHT

- 8.5 lbs






Note: For Fire Labeled Openings, Requires Separate Fire Control Relay.



ELECTRONIC ACCESS CONTROL

ELECTRIFIED HINGES

	FEATURES	OPTION DESIGNATOR	DESCRIPTION
	 UL Fire Listed for use with electrified mortise or cylindrical locks, exit devices with electric latch retraction, electric strikes, locks or exit devices with monitoring or request to exit switches Electrical Specifications Concealed electric through-wire: 50 volts AC/DC @ 3.5 amps continuous, 16 amps pulse (maximum pulse width: 400msec., 10 sec minimum off time between pulses) Concealed electric monitor: 30 VDC @ .5 amps	EL 2	Concealed electric through-wire (2 wires, 22GA)
		EL 4	Concealed electric through-wire (4 wires, 28GA)
		EL 10	Concealed electric through-wire (10 wires, 28GA)
		EL 24	Concealed electric through-wire (2 wires @ 22GA, 4 wires @ 28GA)
		ELM 3	Concealed electric monitor (3 wires, 28GA)
		ELM 4	Concealed electric through-wire and monitor (4 through wires and 3 monitor wires, all 28GA)
		ELM 6	Concealed electric through-wire and monitor (6 through wires and 3 monitor wires, all 28GA)
		ELM 8	Concealed electric through-wire and monitor (8 through wires and 3 monitor wires, all 28GA)

HOW TO ORDER

ELECTRIFIED OPTIONS ¹	SERIES		STYLE		FINISH	
EL 2 – Concealed electric through-wire (2 wire, 22 ga) EL 4 – Concealed electric through-wire (4 wire, 28 ga) EL 10 – Concealed electric through-wire (10 wire, 28 ga) EL 24 – Concealed electric through-wire (2 wires @ 22 ga, 4 wires @ 28ga) ELM 3 – Concealed electric monitor (3 wire, 28 ga) ELM 4 – Concealed electric through-wire and monitor (4 through wires and 3 monitor wires, all 28GA) ELM 6 – Concealed electric through-wire and monitor (6 through wires and 3 monitor wires, all 28GA) ³ ELM 8 – Concealed electric through-wire and monitor (8 through wires and 3 monitor wires, all 28GA) ³	35 – FULL MORTISE		BB – 2 Ball Bearing HB – 4 Ball Bearing		600 (P) — Prime Coated 605 (3) — Bright Brass 613 (10B) — Oil Rubbed Bronze 626 (26D) — Satin Chrome 630 (32D) — Satin Stainless Steel	
	35	SS	BB	4545	630	NRP
	ST – Steel SS – Stainless Steel		4040 – 4" X 4" 4540 – 4-1/2" X 4" 4545 – 4-1/2" X 4-1/2" 5045 – 5" x 4-1/2"		NRP – Non Removable Pin	
	MATERIAL		SIZE		SECURITY FEATURE²	

Ordering example: 4 Wire Std Weight Hinge: EL 4 35 SS BB 4545 630 NRP

Notes: 1- EL Series only available in 2 and 4 ball bearing. Includes NRP. 2 - NRP only available in 2 and 4 ball bearing. 3 - Not available in 4 ball bearing heavy weight hinges.



ELECTRONIC ACCESS CONTROL

81310 SERIES KEY SWITCHES

NARROW FRAME MOUNT

FEATURES:

- Includes #6-32 x 1/2" FHMS TR Torx Tamper Resistant Security Faceplate Screws.
- 1-3/4" frame mount
- Mortise cylinder not included (See table below)
- Anti-rotation cylinder security

FACEPLATE:

- 630 (32D) Satin Stainless Steel faceplate
- Dimensions: 1-3/4"W x 4-1/2"H

ELECTRICAL RATINGS:

- DPDT contact configuration
- Switch Contacts: 4A @ 30VDC



81310-4MT - MOMENTARY
81310-4MM - MAINTAINED

SINGLE GANG WALL MOUNT

FEATURES:

- Includes #6-32 x 1/2" FHMS TR Torx Tamper Resistant Security Faceplate Screws.
- 2 indicators, 1-red and 1-green
- Mortise cylinder not included (See table below)
- Anti-rotation cylinder security

FACEPLATE:

- 630 (32D) Satin Stainless Steel faceplate
- Dimensions: 2-3/4"W x 4-1/2"H

ELECTRICAL RATINGS:

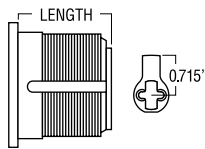
- DPDT contact configuration
- Switch Contacts: 4A @ 30VDC
- LED Red and Green indicators: 24 VDC



81310-2MT - MOMENTARY
81310-2MM - MAINTAINED



MORTISE CYLINDER



LENGTH INCLUDES CAM

CYLINDER REFERENCE GUIDE

TYPE	LENGTH	PDQ CAM NUMBER
Conventional	1-1/4"	I127-4204
SFIC Housing, 6 Pin	1-1/4"	I54031
SFIC Housing, 7 Pin	1-3/8"	I54031
LFIC Housing	1-1/2"	I54231

KEYWAYS

CONVENTIONAL CYLINDER		SMALL FORMAT INTERCHANGEABLE CORE		LARGE FORMAT INTERCHANGEABLE CORE	
KEYWAY	PDQ KEYWAY DESIGNATOR	KEYWAY (BEST COMPATIBLE)	PDQ KEYWAY DESIGNATOR	KEYWAY (SCHLAGE COMPATIBLE)	PDQ KEYWAY DESIGNATOR
Schlage C (Default)	SCC	BEST A (Default), B, C, D, E, F, G, H, J, K, L, M, Q, R, WA, WB, WG, WH, TB, TD, TE	A (Default), B, C, D, E, F, G, H, J, K, L, M, Q, R, WA, WB, WG, WH, TB, TD, TE	Schlage C (Default)	SCC (Default)
PDQ Restricted	TA				
Arrow AR1	ARA				
Corbin 59A1	C059A1				
Corbin 60	CO6				
Corbin L4	CL4				
Russwin D1	RUD				
Russwin 981	RUD981			PDQ Exclusive	PDQ1
Schlage E	SCE			PDQ Exclusive and Restricted	PDQ2
Schlage C	SCC				PDQ3
Schlage C-K	SCC-K				
Sargent LA	SAL				
Sargent RA-RC	RA-RC				
Yale E1R	YA8				
Yale GA	GA				
Falcon E-R	FAL				
Kwikset	KW				

KEYING

DESCRIPTION	PDQ KEYING DESIGNATOR
Keyed Different (Default)	KD
Keyed Alike	KA
"0" Zero Bitted	KO
Master Keyed	MK
Construction Master Keyed	CMK
Grand Master Keyed	GMK

CYLINDERS/CORES/KEYWAYS

PDQ cylinders and cores are designed to interface with the keyways of most major lock manufacturers. Insert cylinders are designed to accept 6 pins and are combined for 5 pins. These cylinders are shipped with two keys. Interchangeable core cylinders are available combined or uncombined for 6 and 7 pins and must be specified when ordering. Available in two finishes—606 (US4) and 626 (US26D); specify when ordering separately.



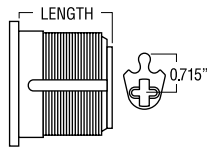
Small Format Interchangeable Core.



Large Format Interchangeable Core






MORTISE CYLINDER



LENGTH INCLUDES CAM

CORES


DESCRIPTION	PINS	FINISHES	
		606	626
 Small Format, Best® Compatible - Uncombined	6 Pin	I5206 -8	I5206 -7
	7 Pin	I5207-8	I5207-7
 Small Format, Best® Compatible - Combined	6 Pin	I5206-1-8	I5206-1 -7
	7 Pin	I5207-1-8	I5207-1 -7
 Large Format, Schlage® Compatible - Uncombined	6 Pin	I5206-816	I5206-716
	6 Pin	I5206-8116	I5206-7116

NOTE: Part Numbers Listed For Default Keyway. For Other Keyways, See table below.

CYLINDER REFERENCE GUIDE


TYPE	LENGTH	PDQ CAM NUMBER
Conventional	1-1/4"	I127-4201
SFIC Housing, 6 Pin	1-1/4"	I54061
SFIC Housing, 7 Pin	1-3/8"	I54061
LFIC Housing	1-1/2"	I54261

HIGH SECURITY CYLINDERS

DESCRIPTION	PINS	FINISHES		
		605	613	626
 Mortise Cylinder 1 1/4"	6 Pin	HSC030-5	HSC030-6	HSC030-7
	6 Pin	HSC050-5	HSC050-6	HSC050-7
UL 437 Mortise Cylinder 1-1/4"	6 Pin	HSC330-5	HSC330-6	HSC330-7

NOTE: Part Numbers Listed For Default Keyway. For Other Keyways, See table below.

HIGH SECURITY CORES

DESCRIPTION	PINS	FINISHES	
		606	626
 Small Format, Best® Compatible - Combined	6 Pin	HSC806-8	HSC806-7
	7 Pin	HSC807-8	HSC807-7
Large Format, Schlage® Compatible - Combined	6 Pin	HSC906-8	HSC906-7

NOTE: Part Numbers Listed For Default Keyway. For Other Keyways, See table below.

KEYWAYS

CONVENTIONAL CYLINDER		SMALL FORMAT INTERCHANGEABLE CORE		LARGE FORMAT INTERCHANGEABLE CORE	
KEYWAY	PDQ KEYWAY DESIGNATOR	KEYWAY (BEST COMPATIBLE)	PDQ KEYWAY DESIGNATOR	KEYWAY (SCHLAGE COMPATIBLE)	PDQ KEYWAY DESIGNATOR
Schlage C (Default)	SCC	BEST A (Default), B, C, D, E, F, G, H, J, K, L, M, Q, R, WA, WB, WG, WH, TB, TD, TE, R	A (Default), B, C, D, E, F, G, H, J, K, L, M, Q, R, WA, WB, WG, WH, TB, TD, TE, R	Schlage C (Default)	SCC (Default)
PDQ Restricted	TA				
Arrow AR1	ARA				
Corbin 59A1	C059A1				
Corbin 60	CO6				
Corbin L4	CL4				
Russwin D1	RUD			PDQ1	
Russwin 981	RUD981			PDQ2	
Schlage E	SCE			PDQ3	
Schlage C	SCC			PDQ Exclusive and Restricted	
Schlage C-K	SCC-K				
Sargent LA	SAL				
Sargent RA-RC	RA-RC				
Yale E1R	YA8				
Yale GA	GA				
Falcon E-R	FAL				
Kwikset	KW				

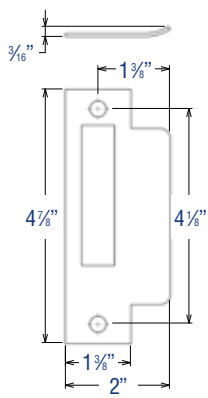
KEYING

DESCRIPTION	PDQ KEYING DESIGNATOR
Keyed Different (Default)	KD
Keyed Alike	KA
"O" Zero Bitted	KO
Master Keyed	MK
Construction Master Keyed	CMK
Grand Master Keyed	GMK

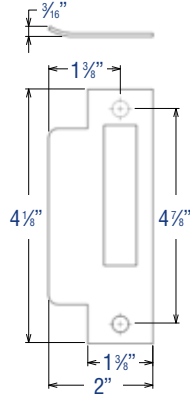
SERIES

DESCRIPTION	FINISHES						
	605	606	612	613	625	626	630
1-1/4" x 4-7/8" ANSI/ASA Curved Lip (LH/RHR)	W51241-	W51241-	W51241-	W51241-	W51241-	W51241-	W51241-
1-1/4" x 4-7/8" ANSI/ASA Curved Lip (RH/LHR)	W51242-	W51242-	W51242-	W51242-	W51242-	W51242-	W51242-
Extended Straight Lip	W51002-	W51002-	W51002-	W51002-	W51002-	W51002-	W51002-

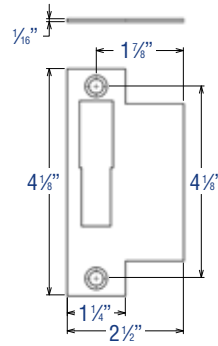
Ordering example: RH Strike, Stainless Steel finish: W51242 630



ANSI/ASA Curved Lip Strike
RH/LHR
W51242 + Finish



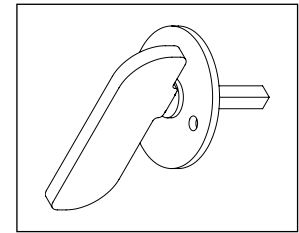
ANSI/ASA Curved Lip Strike
LH/RHR
W51241 + Finish



Extended Lip Strike
W51002 + Finish

OPTIONS

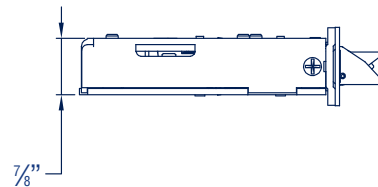
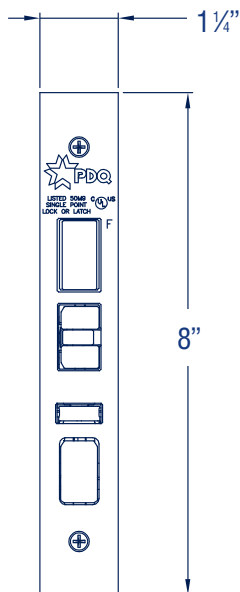
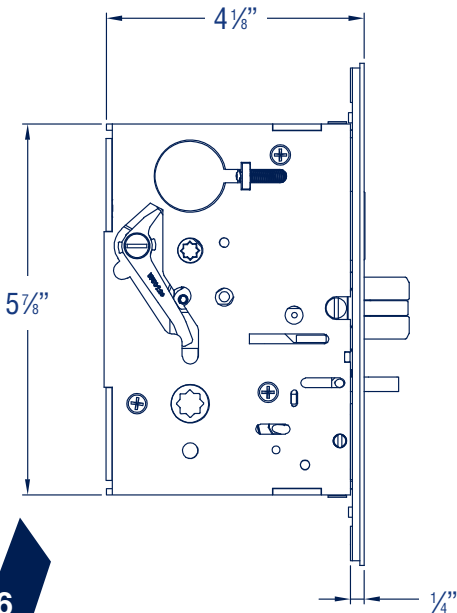
DESCRIPTION
Tactile Abrasive Strip - Inside only (PFSF, PFEF, BFSF and BFEF only)
Tactile Abrasive Strip - Outside only (PFSF, PFEF, BFSF and BFEF only)
Tactile Abrasive Strip - Both Sides (PFSF, PFEF, BFSF and BFEF only)
Security Head Screws
Lead-wrapped Case
Split Finishes
Sectional Single Sided Mounting Assembly
HD Spindle
ADA Compliant Thumbturn



ADA Thumbturn

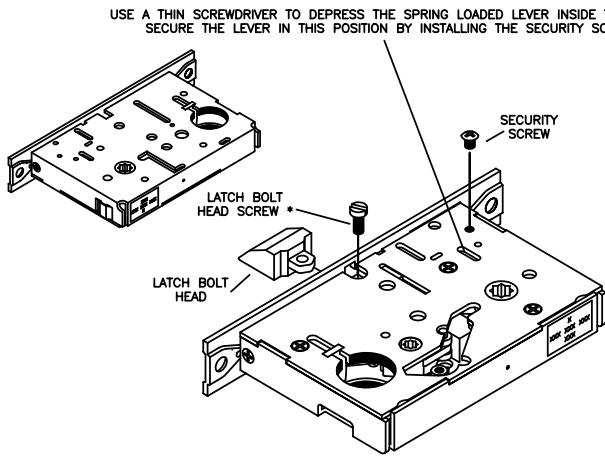
Note: Other Lip sizes available. Contact PDQ Technical Service.

CASE DIMENSIONS

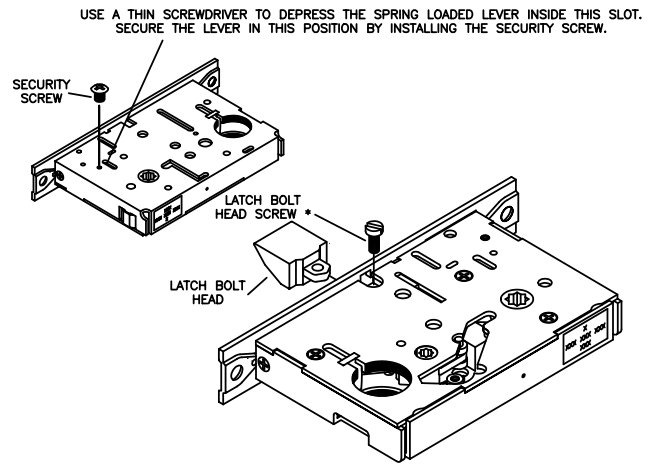


HANDING

PDQ's innovative handing design allows for quick and easy changing in the field. To switch the handing from Right Hand to Left Hand, simply unscrew the Latch Bolt screw and remove the Latch Bolt head. Rotate the Latch Bolt head 180 degrees and reinsert back into the chassis. Insert and tighten the Latch Bolt Screw. We recommend applying Loctite #242 or equivalent to the threads when re-assembling the latch Bolt Screw.



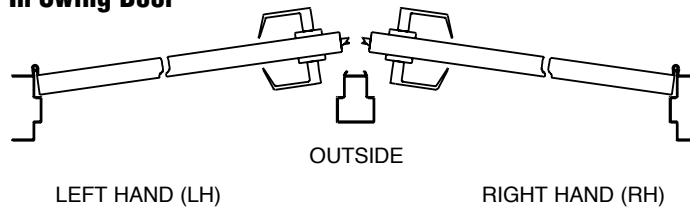
LEFT HAND (LH)



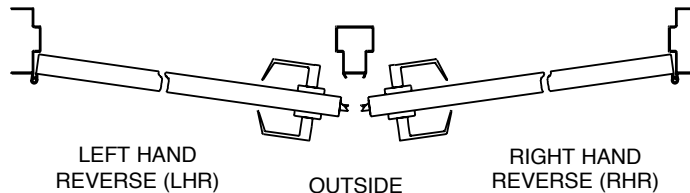
RIGHT HAND (RH)

Shown above is PDQ's Function MR115. For other functions, always consult the Handing Instructions @ www.pdqlocks.com. PDQ Functions MR113, MR114, MR134, MR178, MR186, MR199, MR199A are NOT field reversible. For these functions, specify handing when ordering from the factory.

In Swing Door



Out Swing Door



MJ SERIES MORTISE DEADBOLTS



SHOWN WITH STANDARD THUMBTURN



SHOWN WITH OPTIONAL "ADA" COMPLIANT THUMBTURN

SPECIFICATIONS

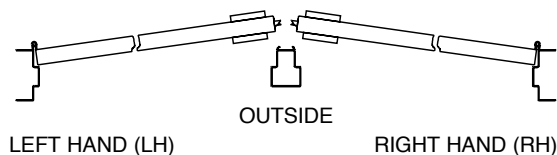
- FOR DOORS:** • 1-3/4"
- BACKSET:** • 2-3/4"
- CASE:** • Steel—Dichromated for corrosion resistance.
- FACEPLATE:** • 1-1/4" x 5-5/8"
- FRONT:** • 2-1/4" x 1" • Stainless Steel or Wrought Brass
- STRIKE:** • 1-1/8" x 2-1/2"
- DEADBOLT:** • 1" Throw • Stainless Steel
- OPTIONAL THUMBTURN:** • ADA Compliant
- HAND:** • Non-handed except for function MJ134 Classroom (See Function Table and How to Order Guide).
- KEYS:** • Two (2) per Lock
- KEYWAYS:** • SCC standard (Schlage C Compatible) • Also available in keyways of other manufacturers
- INTERCHANGEABLE**
 - CORE:** • 6 or 7-pin • Compatible with Best, Falcon & Arrow • Large Format IC Cores compatible with Schlage.
 - CYLINDER:** • 6 or 7-pin Mortise Cylinder
 - KEYING:** • Options: MK, CMK or GMK • Zero Bitted (KO), Keyed Different (KD) or Keyed Alike (KA)
 - Can be keyed into existing master key systems
 - 630 (US32D) - Satin Stainless Steel
- FINISHES:** • 630 (US32D) - Satin Stainless Steel
- CERTIFICATIONS, LISTINGS, COMPLIANCES:** • ANSI/UL 10C Listed, "Positive Pressure Fire Tests of Door Assemblies" for up to and including 3 hrs.
- Meets requirements of the Buy American Act.
- WARRANTY:** • 10-Year Limited Warranty

CROSS REFERENCE

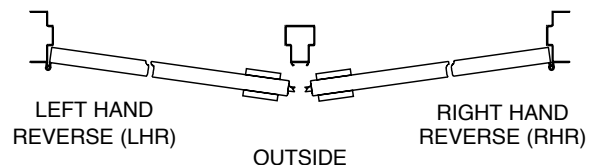
ANSI # A156.5 (A156.13)	PDQ FUNCTION	BEST	CORBIN	DORMA	MARKS #31/32/33 SERIES	SARGENT	SCHLAGE	YALE
E06081 (F18)	MJ131	48H L	DL4111	D961	L	4876	L464	353
E06071 (F17)	MJ132	48H K	DL4113	D960	K	4875	L460	352
E06061 (F16)	MJ133	48H M	DL4112	D962	M	4874	L462	351
E06091 (F29)	MJ134LH	48H R	DL4117	D963	S	4877	L463	357
	MJ134LH							

HANDING

In Swing Door

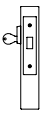






Out Swing Door



MJ SERIES MORTISE DEADBOLTS

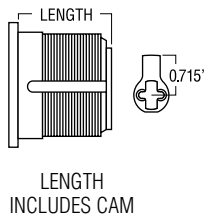
FUNCTIONS

FUNCTION	FUNCTION NUMBER	OUTSIDE INSIDE	DESCRIPTION	ANSI NUMBER A156.5(A156.13)
Single Cylinder	MJ131		<ul style="list-style-type: none"> • Key outside extends/retracts deadbolt 	E06081 (F18)
Single Cylinder with Thumbturn	MJ132		<ul style="list-style-type: none"> • Key outside extends/retracts deadbolt • Thumbturn inside extends/retracts deadbolt 	E06071 (F17)
Double Cylinder	MJ133		<ul style="list-style-type: none"> • Key outside extends/retracts deadbolt • Key inside extends/retracts deadbolt 	E06061 (F16)
Single Cylinder (Classroom) Left Hand	MJ134LH		<ul style="list-style-type: none"> • Key outside extends/retracts deadbolt • Inside cylinder turn retracts but does not extend deadbolt • Thumbturn rotates clockwise 	E06091 (F29)
Single Cylinder (Classroom) Right Hand	MJ134RH		<ul style="list-style-type: none"> • Key outside extends/retracts deadbolt • Inside cylinder turn retracts but does not extend deadbolt • Thumbturn rotates counter-clockwise 	E06091 (F29)

SERIES	FINISH	CYLINDER OR HOUSING	KEYING
MJ — Mortise Deadbolts	630 — Satin Stainless Steel	D — Default L — Less Cylinder SF6 — SFIC w/Core, 6 Pin SF7 — SFIC w/Core, 7 Pin LF — Schalge® Compatible LFIC w/Core SF6L — SFIC 6 Pin Housing less core SF7L — SFIC 7 Pin Housing, less core LFL — Schalge® Compatible LFIC Housing less core	KD — Keyed Different (Default) Others - See Keying Table
MJ 131	630 —	D SCC	KD
See Function Table	ADA — ADA Compliant Thumbturn	SCC — Default Others - See Keyway Table	
FUNCTION NUMBER	THUMBTURN	KEYWAY	

Ordering Example: MJ 131 630 SCC KD

CYLINDER REFERENCE GUIDE



TYPE	LENGTH	PDQ CAM NUMBER
Conventional	1-1/4"	I127-4204
SFIC Housing, 6 Pin	1-1/4"	I54031
SFIC Housing, 7 Pin	1-3/8"	I54031
LFIC Housing	1-1/2"	I54231

MJ SERIES MORTISE DEADBOLTS

KEYWAYS

CONVENTIONAL CYLINDER		SMALL FORMAT INTERCHANGEABLE CORE		LARGE FORMAT INTERCHANGEABLE CORE	
KEYWAY	PDQ KEYWAY DESIGNATOR	KEYWAY (BEST COMPATIBLE)	PDQ KEYWAY DESIGNATOR	KEYWAY (SCHLAGE COMPATIBLE)	PDQ KEYWAY DESIGNATOR
Schlage C (Default)	SCC	BEST A (Default), B, C, D, E, F, G, H, J, K, L, M, Q, R, WA, WB, WG, WH, TB, TD, TE, R	A (Default), B, C, D, E, F, G, H, J, K, L, M, Q, R, WA, WB, WG, WH, TB, TD, TE, R	Schlage C (Default)	SCC (Default)
PDQ Restricted	TA				
Arrow AR1	ARA				
Corbin 59A1	CO59A1				
Corbin 60	CO6				
Corbin L4	CL4				
Russwin D1	RUD			PDQ Exclusive	PDQ1
Russwin 981	RUD981				PDQ2
Schlage E	SCE			PDQ Exclusive and Restricted	PDQ3
Schlage C	SCC				
Schlage C-K	SCC-K				
Sargent LA	SAL				
Sargent RA-RC	RA-RC				
Yale E1R	YA8				
Yale GA	GA				
Falcon E-R	FAL				
Kwikset	KW				

KEYING

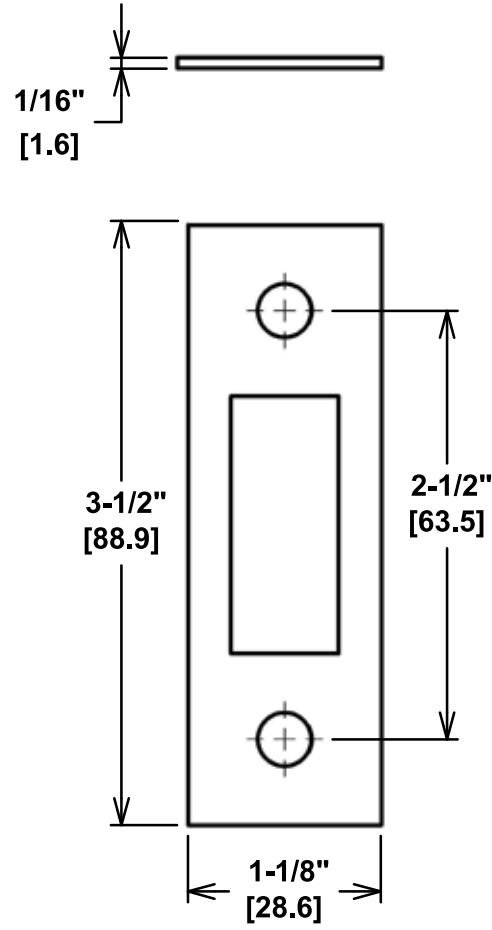
DESCRIPTION	PDQ KEYING DESIGNATOR
Keyed Different (Default)	KD
Keyed Alike	KA
"0" Zero Bitted	KO
Master Keyed	MK
Construction Master Keyed	CMK
Grand Master Keyed	GMK

FINISHES



630 (US32D)
Satin Stainless Steel,
No Coating

MORTISE DEADBOLT



ARCHITECTURAL SPECIFICATION SHEET

MR Series Mortise Locks are manufactured by PDQ Industries, Inc., Leola, Pennsylvania and are assembled in the U.S.A., meeting the requirements of the Buy American Act. They carry a Limited Lifetime manufacturer's warranty. All lock bodies to conform to Federal Specification FF-H-106 Type 86 and to all dimensional specifications of ANSI A156.13-2005 Series 1000, Grade 1. Locks meet **Operational and Security Grade 1 with F and W Trims**. Operational Grade 1 and Security Grade 2 with J Trim. MR series is Windstorm Resistant Product Listed—ANSI A250.13-2005, ASTM E1886-02, ASTM E330-02, Outswing: 350 ft-lbs., N/R, Design Load Rating: 2453 lbf. (functions with deadbolts only). Thirty nine mortise lock functions are currently available.



While Handing of most lock functions is field reversible, strikes are handed. Latchbolt can be fully retracted with 35° lever rotation. Levers will have a Miami, Dallas, Philadelphia, Boston Chicago, Memphis and Ball knob design. Dallas W trim is furnished in solid stainless steel, Dallas and Chicago J trim are tube levers. Locksets for single doors up to 4'0" x 8'0" shall be listed by UL / ULC for ratings of "A" (3 hours) label and less. All locksets shall have a Limited Lifetime warranty from date of installation. All locksets shall meet or exceed all applicable requirements of the Americans with Disabilities Act of 1990.

WHEN TIME EQUALS MONEY

PDQ'S *PRIORITY QUICKSHIP* DELIVERS

AUBURN, WA

SALT LAKE CITY, UT

KANSAS CITY, MO

**2754 CREEK HILL ROAD
LEOLA, PA 17540**

Our Four Distribution Centers are ideally located to provide quick delivery throughout the entire United States. Priority Quickship items will ship same day or next day after the order is received. Contact your sales representative or PDQ Customer Service for more information.



Headquarters: 2754 Creek Hill Road • Leola, PA 17540 • 800.441.9692 • 717.656.6892 Fax
Regional Distribution Centers: Kansas City, MO, Salt Lake City, UT, Seattle, WA
www.pdqlocks.com

PDQ'S MR Series Brochures are now printed entirely on Forest Stewardship Council™ certified paper. FSC Certification ensures that the paper used in this catalog contains fiber from well-managed and responsibly harvested forests that meet strict environmental and socioeconomic standards. We're proud to be one of the first hardware manufacturers in the country to make this significant move to help our environment. The FSC logo on our brochure signals not only FSC Certification, but also PDQ's commitment to improving the environment.

