

Architectural Door Accessories

ASSA ABLOY

PemkoHinge® Continuous Geared Hinges: Half Surface Hinges: Offset

The global leader in
door opening solutions

_OS_HS



LISTED
DOOR HINGE
76Y2



AVAILABLE FINISHES: C, D

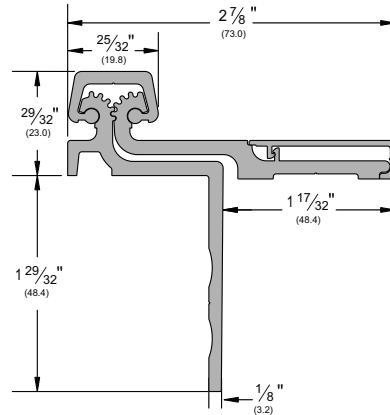
CLEARANCE: 0 to 1/8" (0 mm to 3.2 mm)

WIDTH: 2-7/8" (73.0 mm)

CAP WIDTH: 25/32" (19.8 mm)

HEIGHT: 29/32" (23.0 mm)
(to top cap/frame edge side)

HEIGHT: 1-29/32" (48.4 mm)
(to flange/frame edge side)



C (Clear Anodized)

D (Dark Bronze Anodized)

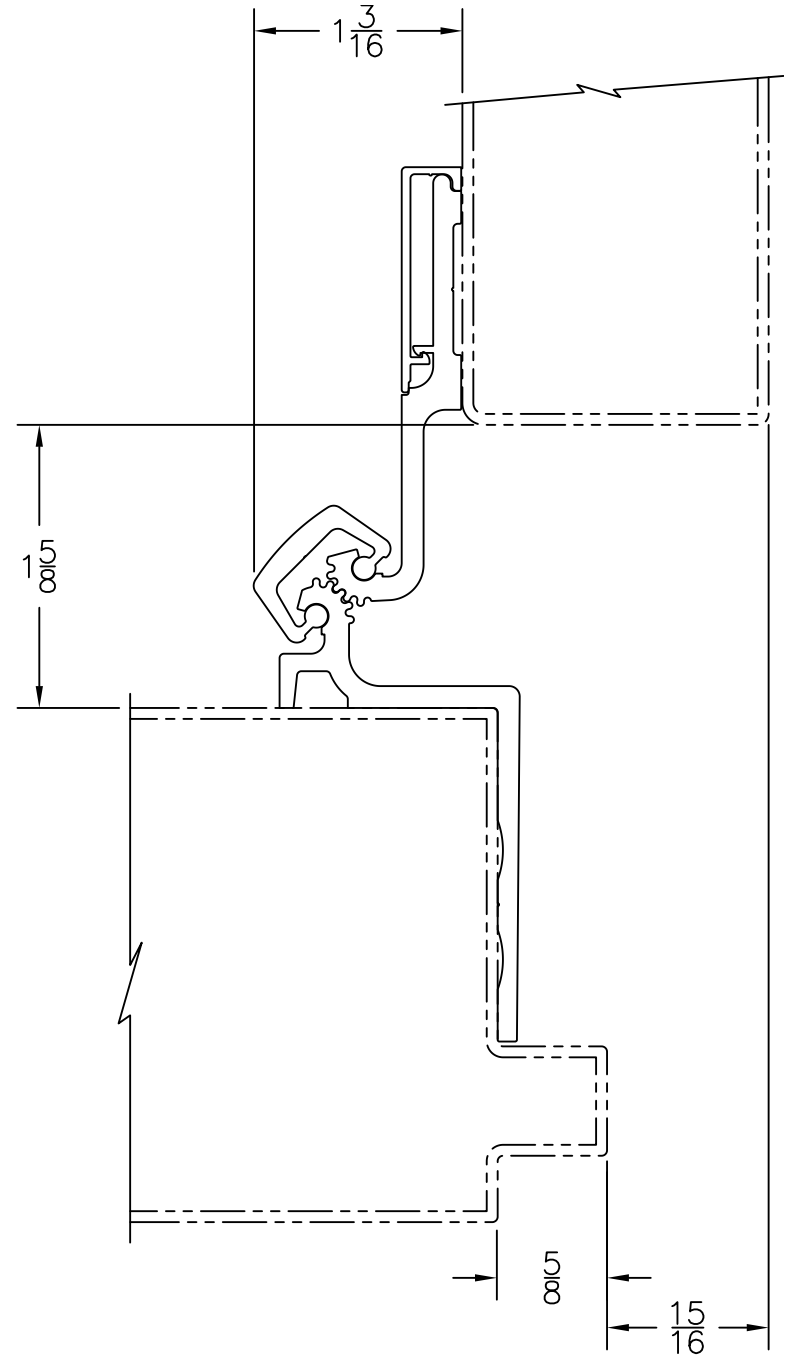
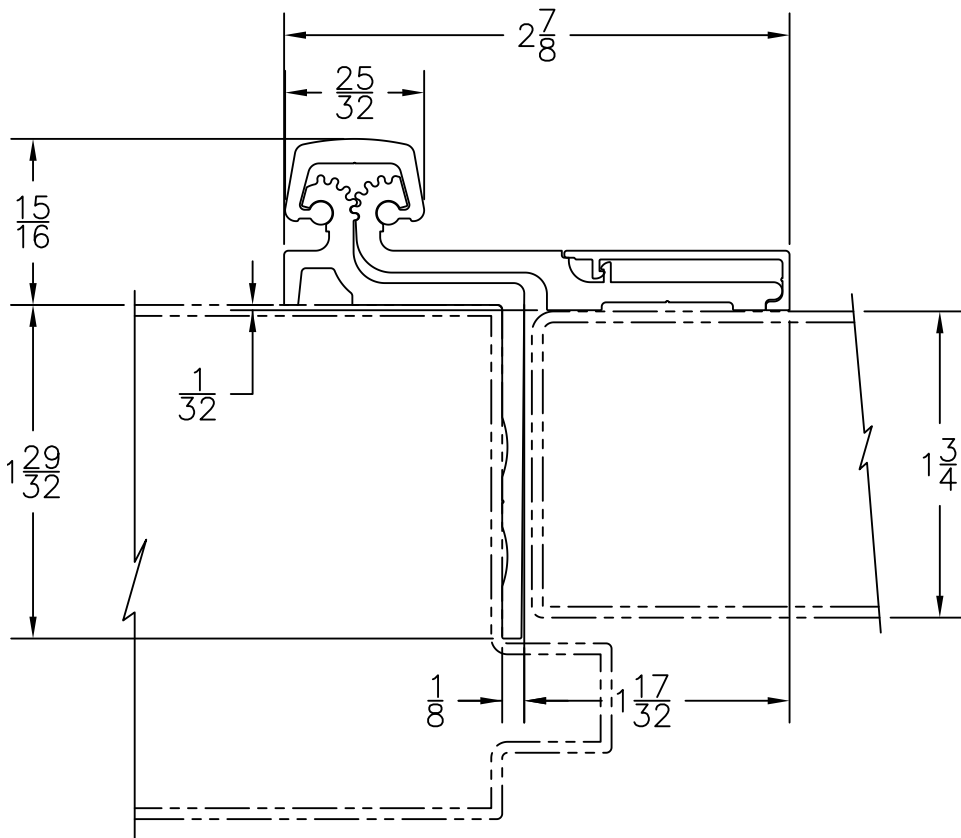
TITLE:

PREPARED FOR:

PREPARED BY:

DATE:

COMMENTS:



ASSA ABLOY

OSXXHS
 OFFSET HALF SURFACE
 WITH FRAME & DOOR