

MATERIAL: Extruded 6063 T6 aluminum alloy with self-lubricating polyester thrust bearings.

LENGTHS: 83" and 95" lengths standard for nominal door heights. Custom lengths are available.

LOAD/FREQUENCY RATINGS:

For 1-3/8" – 1-3/4" doors standard; long barrel nuts available for 2" – 2-1/4" doors. 48" max. door width in 16 gauge hollow metal (min.) or 1/8" aluminum (min.).

Heavy Duty – Tested per BHMA standards. Up to 200 lb. doors (high-frequency) and up to 400 lb. doors (medium-frequency) without frame or door reinforcement; up to 600 lb. doors (low-frequency) with the use of Rivnuts in the frame.

FINISHES: All SL77 hinges are stocked in Clear and Dark Bronze anodized aluminum. Custom anodized or painted finishes are available. Product painted or anodized in the field voids the SELECT hinge warranty.

CLOSERS: Conventional overhead surface, concealed sliding arm overhead or floor closers may be used with SELECT hinges. Pivot-type floor closers (with a fixed, conflicting center pivot) must be replaced.

ORDER: Specify length, finish and heavy duty (HD). Also, specify door and frame screw applications. 12-24 x 3/4" self-drilling, thread-forming 410SS Phillips undercut flathead screws, 1/4-20 through-bolts and 1/4-20 shoulder screws (for doors up to 1-3/4" thick) are provided as a standard pack unless otherwise specified. Wood and thread-forming screws also available. Security screws optional at extra cost.

AVAILABLE ELECTRIC PREP: EPT.

BHMA CERTIFICATION: SL77HD

BHMA CERTIFIED geared continuous hinges conform to BHMA Standard ANSI/BHMA A156.26-2006 Grade 1.

SL77 HINGE SCREW COUNT		
HINGE LENGTH & DUTY RATING	DOOR SCREWS	FRAME SCREWS
83" HD	10	14
95" HD	11	15

SPECIFICATIONS

SL77 Half Surface Geared Continuous Hinge



SELECT ADVANTAGES



PAIR-MATCHED™ HINGE LEAVES

Manufactured together, machined together and anodized together, making SELECT hinges fit your doors better and last longer. An exclusive SELECT benefit.



LIFETIME LUBRICATION

Eliminates the need for periodic maintenance. Quiet performance. Fights gear cap wear. An exclusive SELECT benefit.



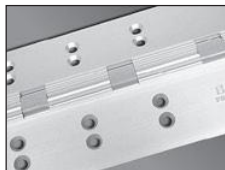
ANODIZED AFTER MACHINING

Delivers superior wear, durability and life. Inhibits corrosion. Few hinge makers follow SELECT's lead in using this superior manufacturing process.



MEETS LEED REQUIREMENTS

Made from recycled aluminum. Reduces environmental impact and qualifies for LEED points. An exclusive SELECT benefit.



CONSISTENT TEMPLATING

Hole pattern is identical on both Standard and Heavy Duty models, so SELECT hinges line up precisely for easier and faster installation. An exclusive SELECT benefit.



COATED FASTENERS

Provide additional corrosion protection with either self-drilling, thread-forming (SDTF) or thread-forming (TF) screws. An exclusive SELECT benefit.

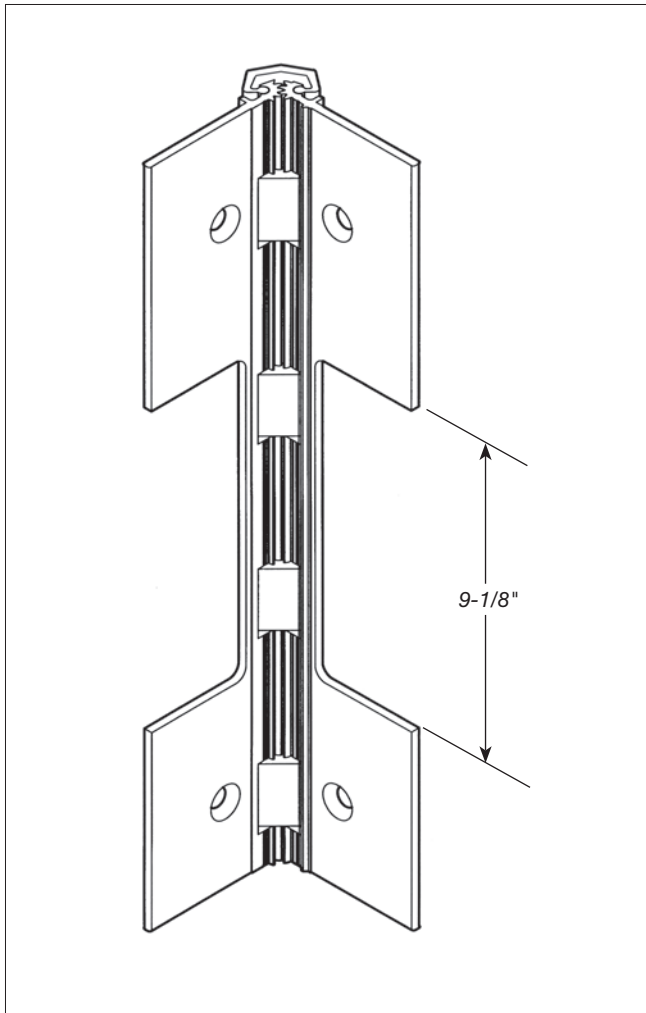


CUSTOM COLORS

Match any paint color on the gear cap or the entire hinge and fasteners, including our always-in-stock Bone White gear caps. Anodized colors also available.

SELECT HINGE PERFORMANCE

- A SELECT geared continuous hinge has been tested in accordance with ANSI 250.4-1994 test procedure and acceptance criteria for physical endurance for steel doors and hardware and has surpassed 25,000,000 cycles during testing by an independent laboratory. On a door cycling 400,000 times per year, a SELECT hinge will be performing for over 62 years.
- SELECT geared continuous hinges are built to handle abuse from high-traffic applications. They are applied to the surface on the edge of the frame and door. No machining or reinforcement is required.
- The revolutionary SELECT geared continuous hinge puts an end to costly and irritating hinge failure problems, the most common cause of entrance failure.
- On conventional hinges, opening and “kick-back” energy concentrate on a few inches of fastened reinforcing plate — with the top hinge handling 100% of the force. Pinless SELECT hinges bond the door and frame into an integrated, sag-free unit. “Kick-back” energy dissipates along the entire length of the door and frame. (Compare this to a conventional hinge’s 4-1/2" to 5" at the top of the door and frame).
- SELECT geared continuous hinges eliminate the gap between the door and frame, providing a weatherproof, rust-proof, tamper-proof barrier. When the door is closed, there are no accessible screws, bolts or pins.


**Cutout for Von Duprin EPT2,
EPT10, PN1, CEPT, ABH PT 200
or ABH PT 1000**

PREP: SELECT geared continuous hinges can be prepared for the Von Duprin EPT2 and EPT10 power transfer unit and the Von Duprin PNT1 pneumatic transfer unit; others available upon request (please see template on following page). Contact factory for quotes and availability on preparations for power transfer units.

LOCATION: Specify the dimension from the top of the hinge to the centerline of the cutout. (Cutout length is 9-1/8"; centerline of the cutout is 4-9/16" from the top edge of cutout.) Hinge is installed flush with the top of the door.

Refer to the templates in the Concealed or Half Surface Geared Hinge sections to avoid specifying a cutout location that cuts through fastener holes. These templates are also available online at www.SelectHinges.com.

HANDING: Specify the handing of each door requiring the EPT. Handing not required on SL11 and SL27.

ORDER: Use suffix "VD-EPT" or "VD-PNT," plus the location and handing (if required).

Example: SL24 HD 83" Clear VD-EPT 41" from top of hinge to centerline, RH.

AVAILABILITY: Available on geared hinge models SL11, SL12, SL14, SL18, SL24, SL26, SL27, SL31, SL40, SL41, SL44, SL48, SL52, SL53, SL54 and SL84. For the SL40 and SL41, please consult factory for engineering approval.

LEAD TIME: 48 hours (on most orders).

IMPORTANT: *SELECT Products Limited does not recommend preparing door and frame for EPT before receipt of hinge. If door and frame must be prepared before receipt of hinge, contact factory for special template.*