

SQUARE ROSE DEADBOLT OUTSIDE CYLINDER

TEMPLATE: W53543

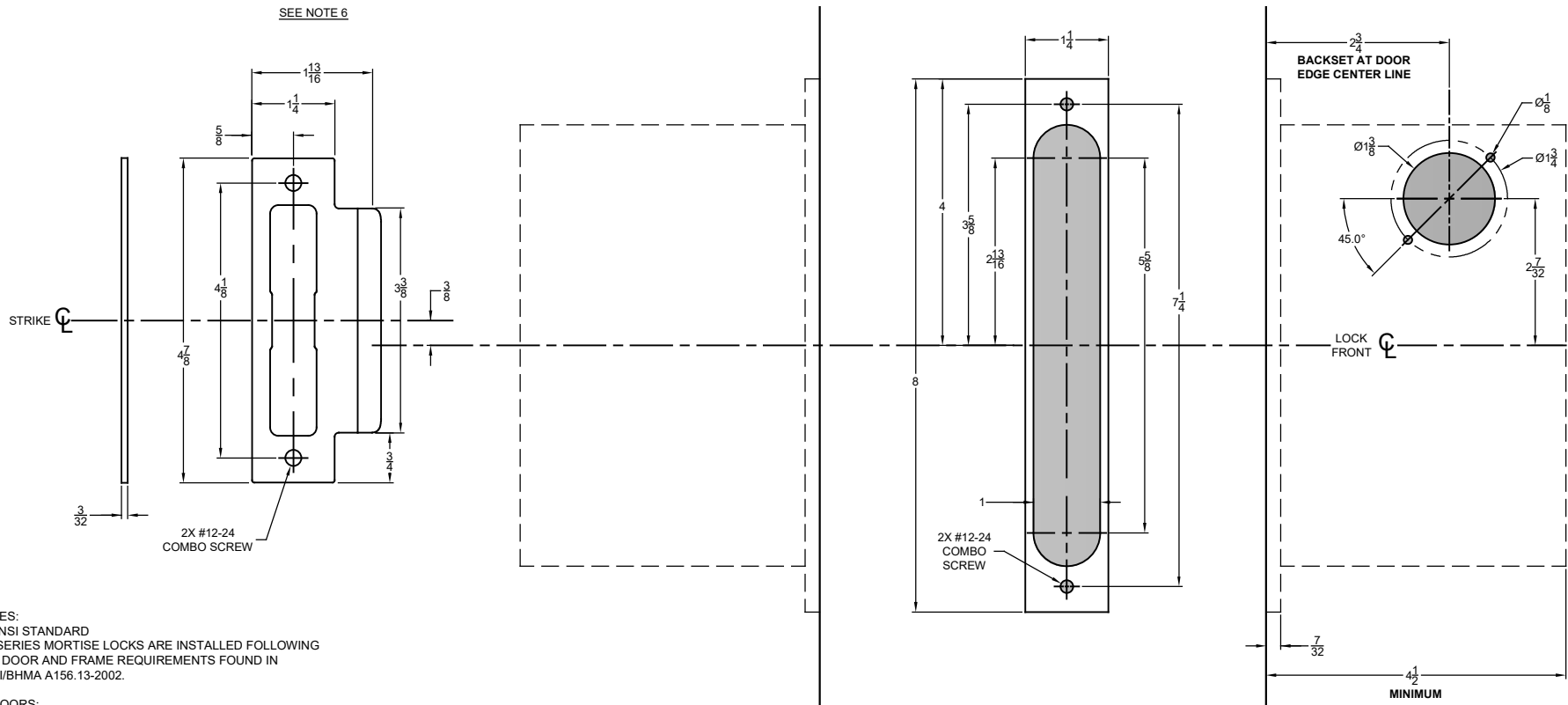
REV. 1 05-02-2019

MORTISE FUNCTIONS MR131

INSIDE OF RIGHT HAND DOOR

DOOR EDGE

OUTSIDE OF RIGHT HAND DOOR



NOTES:

1. ANSI STANDARD
MR SERIES MORTISE LOCKS ARE INSTALLED FOLLOWING THE DOOR AND FRAME REQUIREMENTS FOUND IN ANSI/BHMA A156.13-2002.
2. DOORS:
REINFORCEMENT IS REQUIRED PER ANSI A115.1-1991.
3. DOOR THICKNESS:
STANDARD DOOR THICKNESS IS 1-3/4". CONSULT FACTORY FOR OTHER DOOR SIZES.
4. LEAD LINING:
ADD 1/8" TO MORTISE WIDTH WHEN PREPARING DOOR FOR A LEAD LINED MR SERIES MORTISE LOCK BODY.
5. SILENCERS AND WEATHER STRIPPING:
PROVISIONS MUST BE MADE TO ALLOW PROPER DOOR CLOSURE WHEN USING DOOR SILENCERS, WEATHER STRIPPING OR SOUND PROOFING.
6. DIMENSIONS FOR STRIKE ARE NOT APPLICABLE FOR THE ELECTRIC STRIKE. SEE ELECTRIC STRIKE MANUFACTURERS TEMPLATE FOR DETAILS.