

SQUARE ROSE DEADBOLT OUTSIDE CYLINDER WITH THUMB TURN

TEMPLATE: W53544

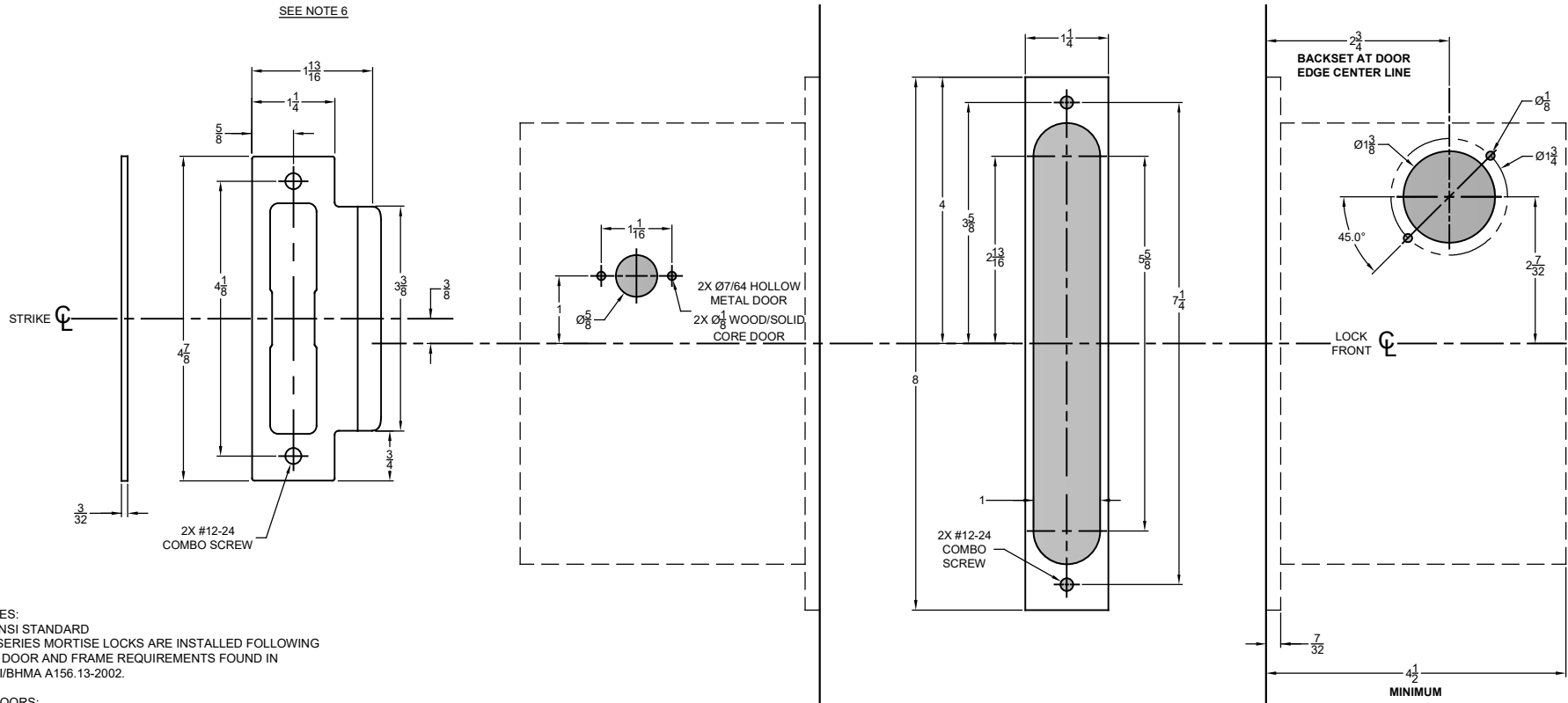
REV. 1 05-02-2019

MORTISE FUNCTIONS MR132

INSIDE OF RIGHT HAND DOOR

DOOR EDGE

OUTSIDE OF RIGHT HAND DOOR



- NOTES:
- ANSI STANDARD
MR SERIES MORTISE LOCKS ARE INSTALLED FOLLOWING THE DOOR AND FRAME REQUIREMENTS FOUND IN ANSI/BHMA A156.13-2002.
 - DOORS:
REINFORCEMENT IS REQUIRED PER ANSI A115.1-1991.
 - DOOR THICKNESS:
STANDARD DOOR THICKNESS IS 1-3/4". CONSULT FACTORY FOR OTHER DOOR SIZES.
 - LEAD LINING:
ADD 1/8" TO MORTISE WIDTH WHEN PREPARING DOOR FOR A LEAD LINED MR SERIES MORTISE LOCK BODY.
 - SILENCERS AND WEATHER STRIPPING:
PROVISIONS MUST BE MADE TO ALLOW PROPER DOOR CLOSURE WHEN USING DOOR SILENCERS, WEATHER STRIPPING OR SOUND PROOFING.
 - DIMENSIONS FOR STRIKE ARE NOT APPLICABLE FOR THE ELECTRIC STRIKE. SEE ELECTRIC STRIKE MANUFACTURERS TEMPLATE FOR DETAILS.